



## KEY FEATURES

- High Power passive portable Line Array element
- 12 x 3.5" long-excursion neodymium transducers with waterproof cones
- 320W continuous power – 640W program power
- 90 - 200 Hz low-frequency extension for AX12C and AX6C systems
- Acoustic transmission line back loading design
- Fast, easy-to-use integrated suspension system
- Aluminium frame structure
- Designed for mobile and installed applications
- Black or white finish

## TECHNICAL SPECIFICATIONS

### SYSTEM

System's Acoustic Principle	Line Array Element Short Transmission Line Back Loading
Frequency Response ( $\pm 3$ dB)	90 Hz - 200 Hz (Processed)
Nominal Impedance	8 Ohm
Horizontal Coverage Angle	360°
Sensitivity (2.83V)	99 dB SPL @ 1m*
Maximum (peak) SPL	124 dB SPL @ 1m*

### TRANSDUCERS

Type	12 x 3.5" (88mm) Neodymium magnet woofers, 1"(25mm) VC
Cone	Waterproof Cone
Voice Coil Type	Ventilated voice coil

### INPUT CONNECTIONS

Connector Type	Neutrik® speakON® NL4 x 2 (1+/- signal IN & LINK ; 2+/- thru)
----------------	---

### POWER HANDLING

Continuous AES Pink Noise Power	320 W
Program Power	640 W

### ENCLOSURE & CONSTRUCTION

Width	107 mm
Height	1166 mm (without flying system) 1212 mm (with flying system)
Depth	193 mm
Enclosure Material	Aluminium
Paint	High resistance, water based paint, black or white finish
Flying system	Aluminum Fast Link structure with dedicated pins
Net Weight	13.2 kg / 29 lbs (without flying system) 15.3 kg / 33.7 lbs (with flying system)

\*measured @4 m and scaled @1 m

## APPLICATIONS

- Installed system for theatres, houses of worship, conference rooms
- Portable AV system for corporate events



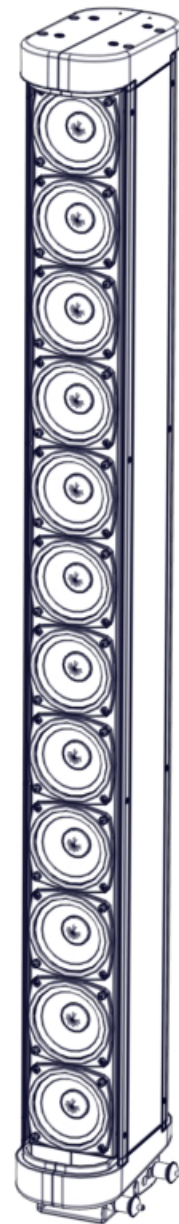
## DESCRIPTION

The AX12LF Line Array is a passive system equipped with twelve 3.5" long-excursion neodymium transducers with waterproof cones, designed to provide low-frequency extension for AX12C and AX6C multiple systems.

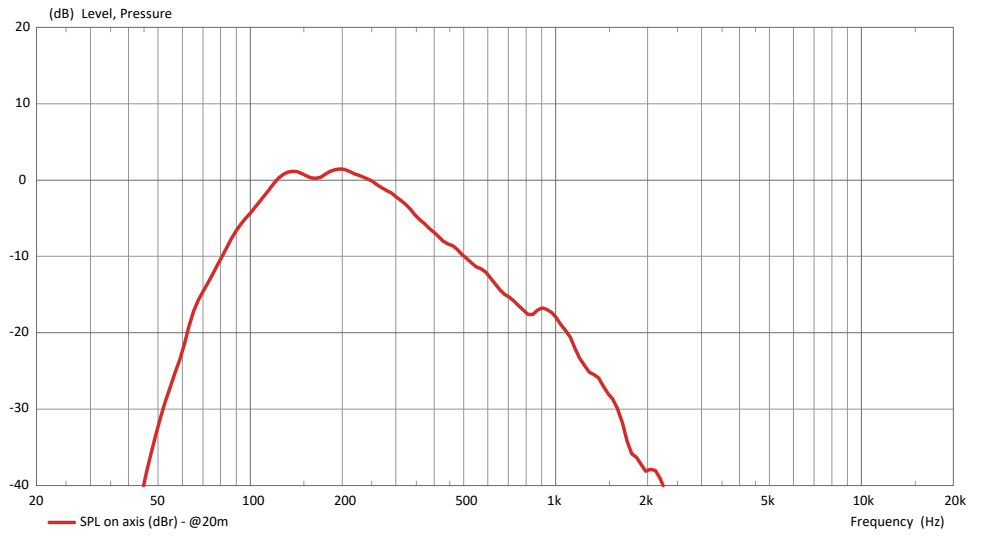
Wherever a subwoofer is not needed, such as in speech applications or corporate events, the AX12LF provides a one octave low-frequency extension to the AX12C and AX6C. The same lightweight aluminum frame box and the common suspension systems allow perfect integration with AX12C and AX6C elements.

## THE SYSTEM

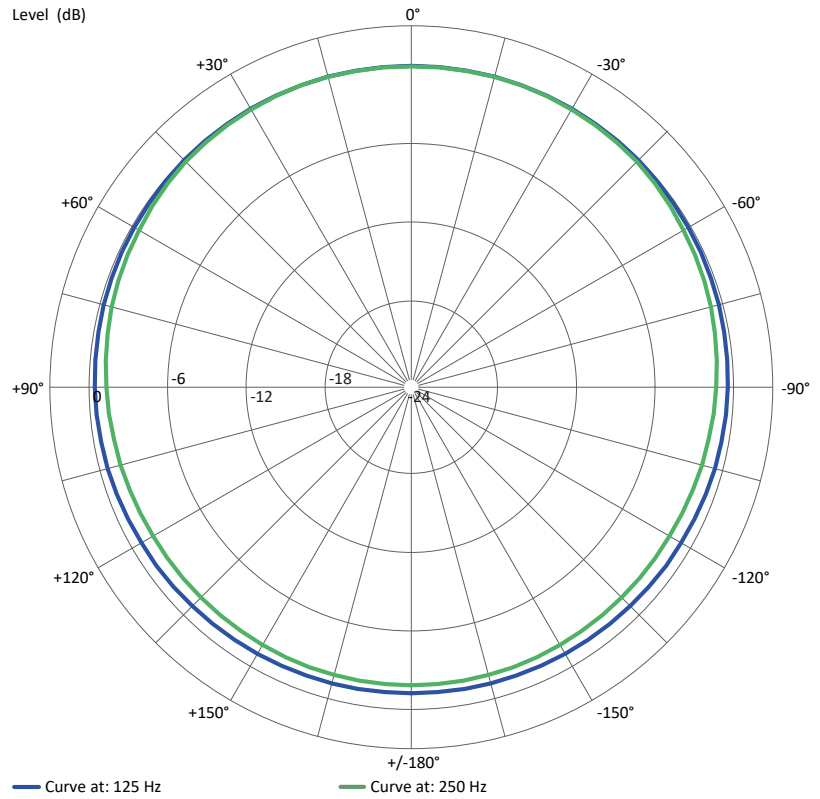
The AX12LF line array module can be combined in different configurations with the AX12C (or AX6C – basically two AX6C correspond to one AX12C). Possible configurations range from a simple two-unit column with one AX12C plus one AX12LF suspended or installed on the ground, four-unit columns with one AX12LF at the base or one at the base and one at the top, and very large suspended systems with four AX12C and two AX12LF at the back (end fire configuration). The AX12LF can be powered using QC Series Class D processed amplifiers. Different presets for different combinations are available for the built-in CORE DSP, which can be also remotely controlled using PRONET AX software.



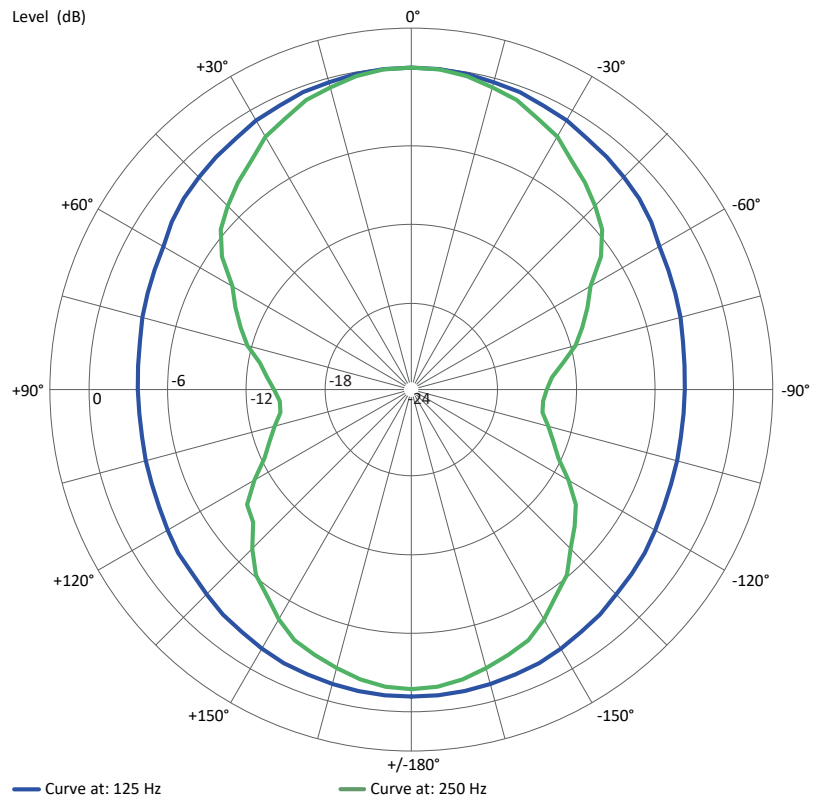
## AX12LF frequency response



## AX12LF HORIZONTAL polar diagram



## AX12LF VERTICAL polar diagram

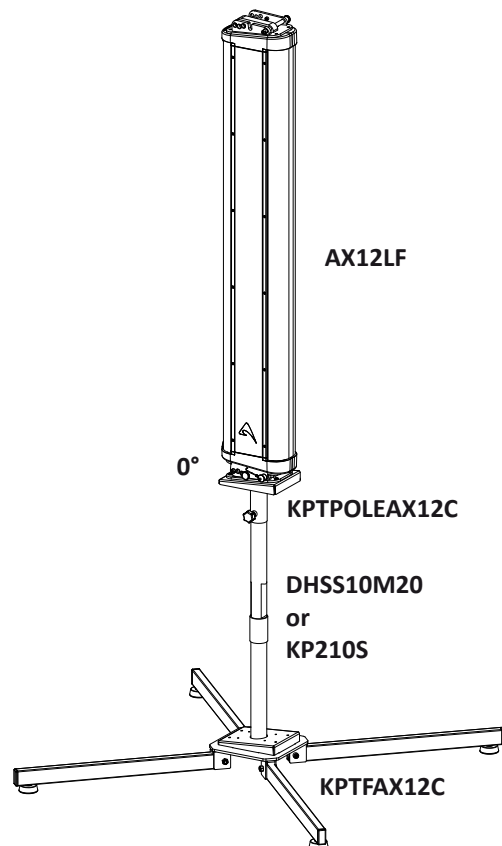
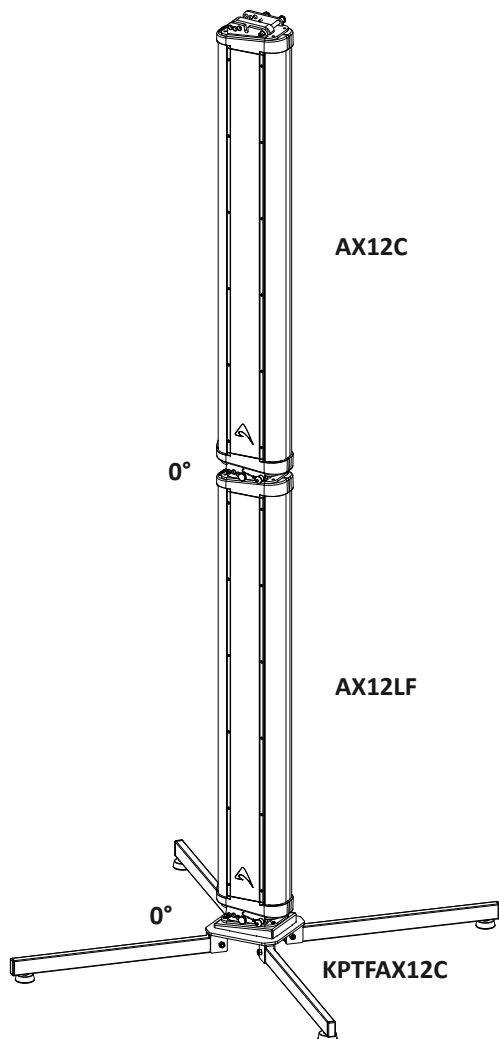


## RIGGING HARDWARE AND ACCESSORIES

The AX12LF can be easily transported, while the integrated suspension system makes its deployment very fast and simple. Each unit comes with two aluminium brackets and four pins that allows multiple array elements to be easily combined either together or with AC12C elements. The brackets allow inter-cabinet angles of 0° and 2°.

A complete range of accessories for transport, installation and connections is available. The KPTFAX12C floor stand enables AX12LF columns to be floor mounted either as one single unit using DHSS10M20 or KP210S extenders with a KPTPOLEAX12C pole adapter, or with an AX12C column to form a full range system with LF extension down to 90Hz.

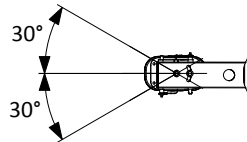
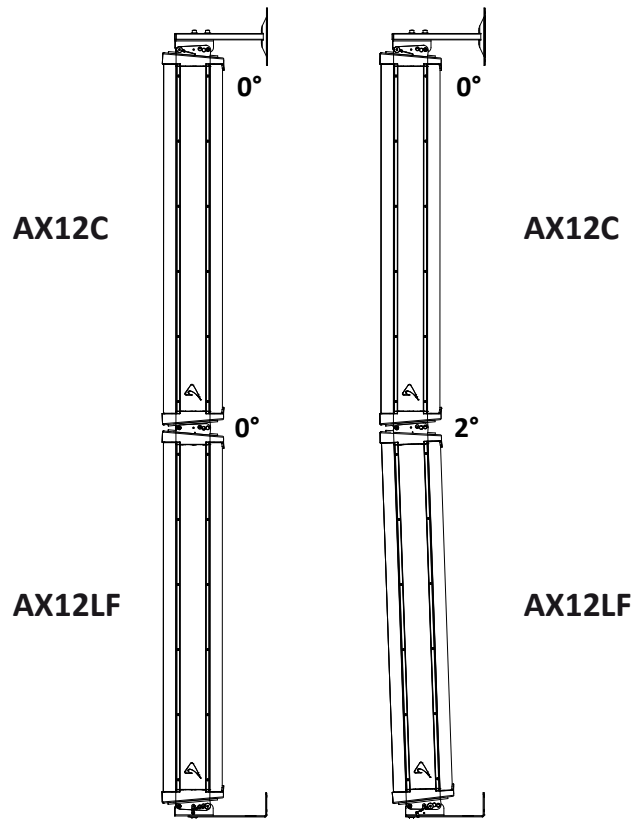
<b>KPTAX12C</b>	Flybar for suspending up to 4 units
<b>KPTWAX12C</b>	Wall bracket for up to 2 units
<b>KPTFAX12C</b>	Floor stand
<b>KPTPOLEAX12C</b>	Pole adapter
<b>AXCASE09PT</b>	Flight case for two AX12C/AX12LF and accessories
<b>AXCASE10PT</b>	Flight case for four AX12C/AX12LF and accessories
<b>COVERAX12C</b>	Cover / carry bag for single AX12C/AX12LF
<b>PLG716</b>	Galvanised steel shackle
<b>ESO2500LU025</b>	25cm 4x4mm speakON™ linking cable



## RIGGING HARDWARE AND ACCESSORIES

The AX12LF can be wall mounted using the KPTWAX12C wall bracket either by itself or in combinations with the AX12C column. Horizontal aiming angles of up to 30° either side of central can be applied.

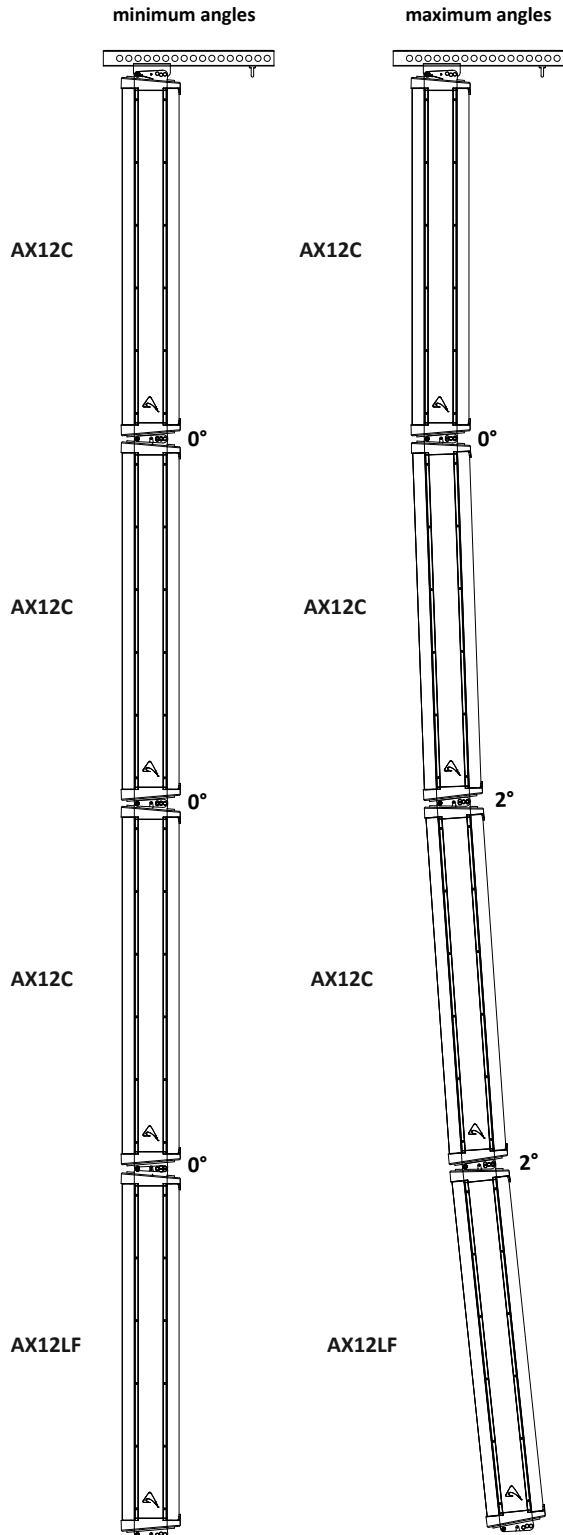
### KPTWAX12C AIMING OPTIONS



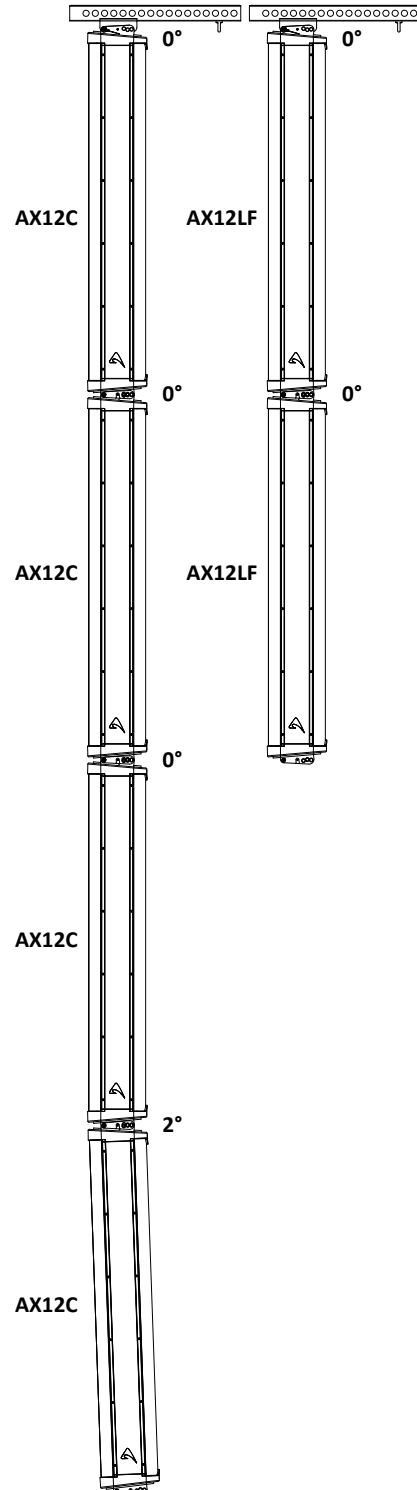
## RIGGING HARDWARE AND ACCESSORIES

The AX12LF column can be flown using the KPTAX12C flybar in combination with AX12C columns.

### AX12C/AX12LF AND KPTAX12C SUSPENDING AND AIMING OPTIONS



### AX12C/AX12LF AND KPTAX12C - IN-LINE SETUP



ENGINEERING DRAWING

