



KEY FEATURES

- High Power passive portable Line Array element
- 8 x 2.5" neodymium transducers with waterproof cones
- 160W continuous power – 320W program power
- Line Array dispersion characteristics
- Acoustic transmission line back loading design, resulting in clean mid-bass reproduction and natural cardioid behavior
- Wide horizontal dispersion
- Fast, easy-to-use integrated suspension system
- Aluminium frame structure
- Designed for mobile and installed applications
- Black or white finish

APPLICATIONS

- Portable system for live bands
- Installed system for theatres, clubs, houses of worship, conference rooms
- Portable AV system for corporate events, exhibitions, fashion events, show rooms
- High performance mobile DJ system

TECHNICAL SPECIFICATIONS

SYSTEM

System's Acoustic Principle	Line Array Element Short Transmission Line Back Loading
Frequency Response (± 3 dB)	200 Hz - 16 kHz (Processed)
Nominal Impedance	64 Ohm
Horizontal Coverage Angle (-6dB)	80°
Sensitivity (4V)	94 dB SPL @ 1m*
Maximum (peak) SPL	122 dB SPL @ 1m*

TRANSDUCERS

Type	8 x 2.5" (66mm) Neodymium magnet woofers, 0.8"(20mm)VC
Cone	Waterproof Cone
Voice Coil Type	Ventilated voice coil

INPUT CONNECTIONS

Connector Type	Neutrik® speakON® NL4 x 2 (1+/1- signal IN & LINK ; 2+/- thru)
----------------	--

POWER HANDLING

Continuous AES Pink Noise Power	160 W
Program Power	320 W

ENCLOSURE & CONSTRUCTION

Dimensions (WxHxD)	90 mm (3.54") x 654 mm (25.76") x 154 mm (6.06")
Enclosure Material	Aluminium
Paint	High resistance, water based paint
Flying system	Aluminum Fast Link structure with dedicated pins
Net Weight	6 Kg (12.2 lbs.)

*measured @4 m and scaled @1 m





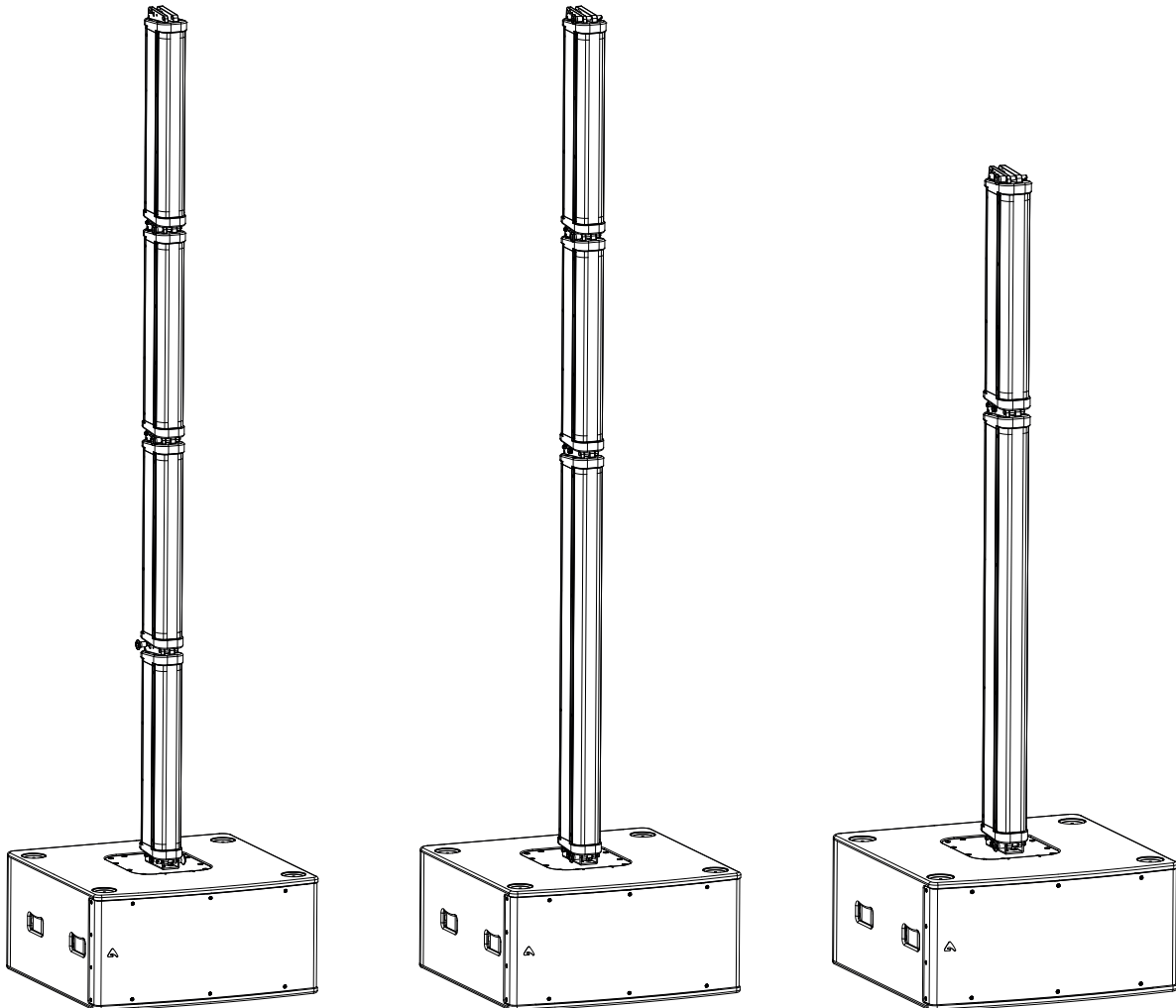
DESCRIPTION

The AX8CL Line Array is a passive system equipped with eight 2.5" neodymium transducers with waterproof cones, designed for portable and permanently installed applications where high power and clarity are needed. The aluminum frame box structure ensures lightweight and strength, while the shape features a back-loaded transmission line design with clean mid-bass reproduction and natural cardioid behavior. The wide horizontal dispersion make the system flexible and adaptable to many different applications.

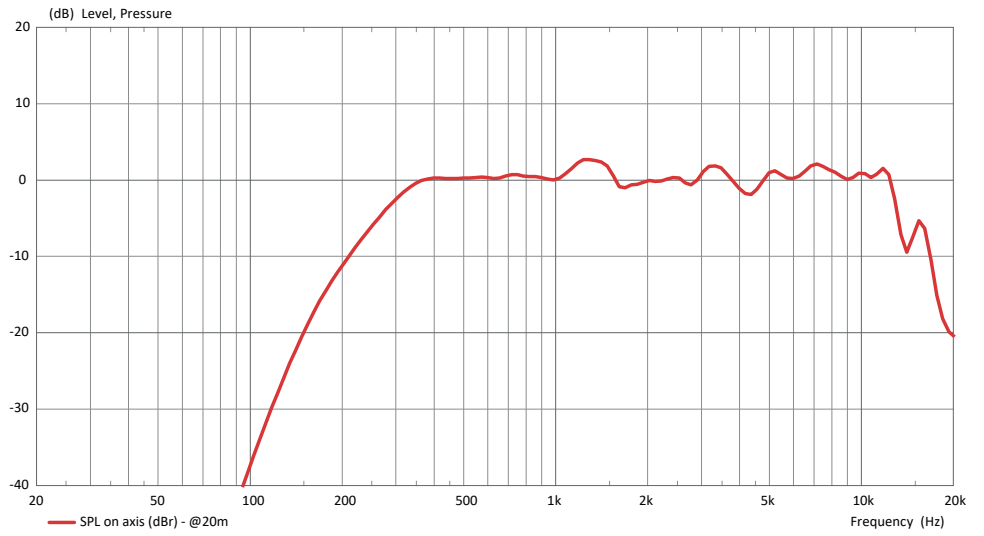
THE SYSTEM

The AX8CL line array module has been designed to be used as a stand-alone or multiple column system in fixed installations, frontfill, or under balcony applications, and for low-profile stage monitoring solutions. It can also be combined with AX16CL columns in multiple column systems in different configurations.

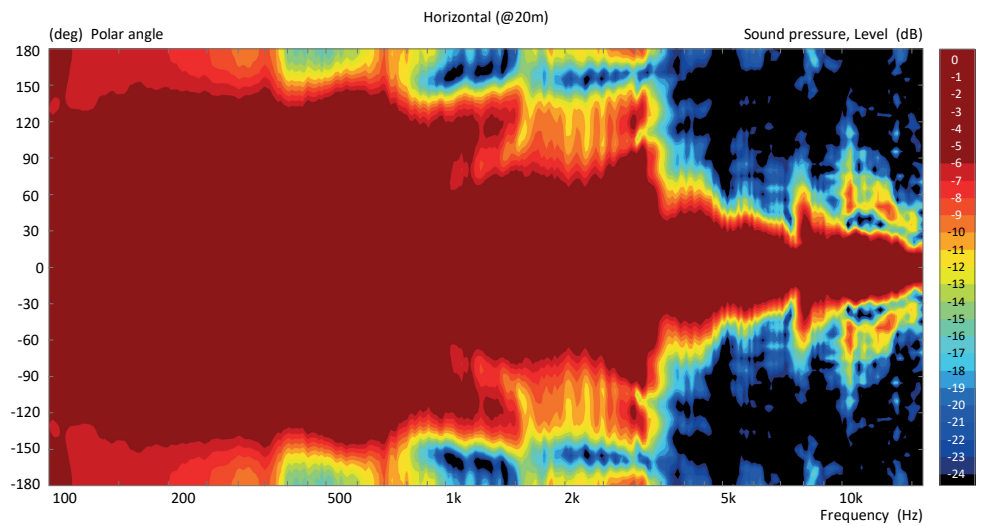
The AX8CL can be driven by the SW212A processed active subwoofer. Up to eight AX8CL modules (or different combinations of AX8CL and AX16CL) can be driven by one channel of the SW212A. Different presets for different combinations are available for the built-in CORE2 DSP, which can be also remotely controlled using PRONET AX software.



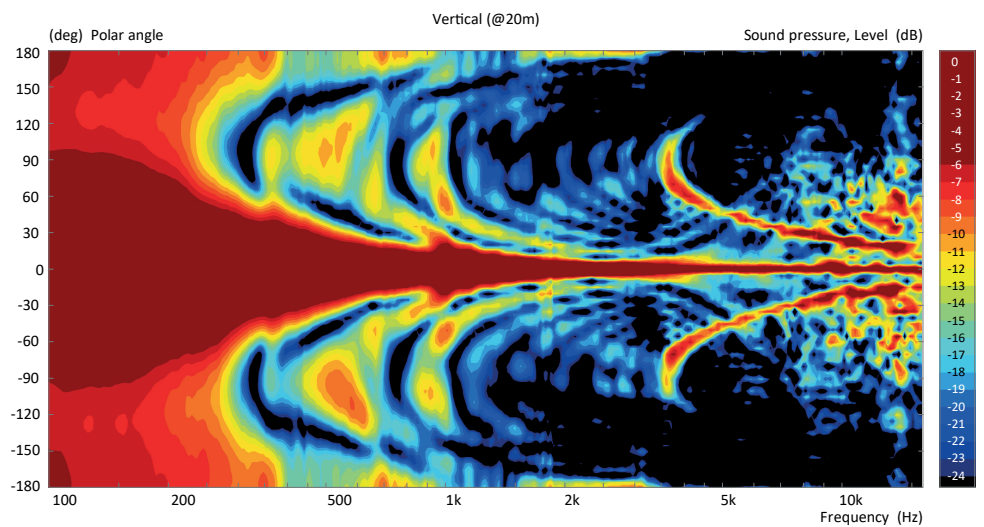
AX8CL frequency response



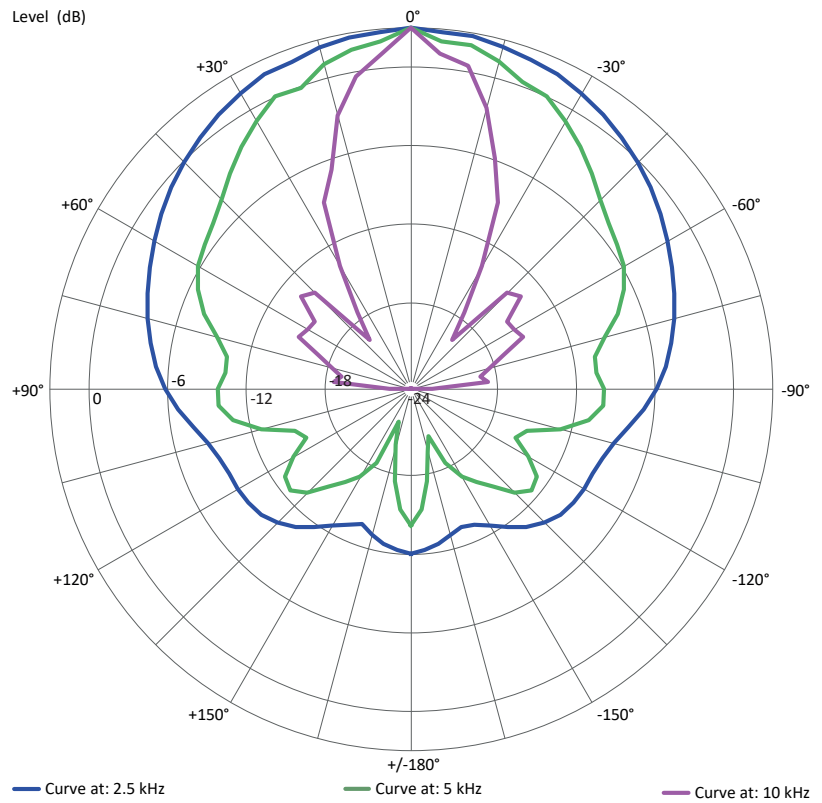
AX8CL HORIZONTAL directivity map



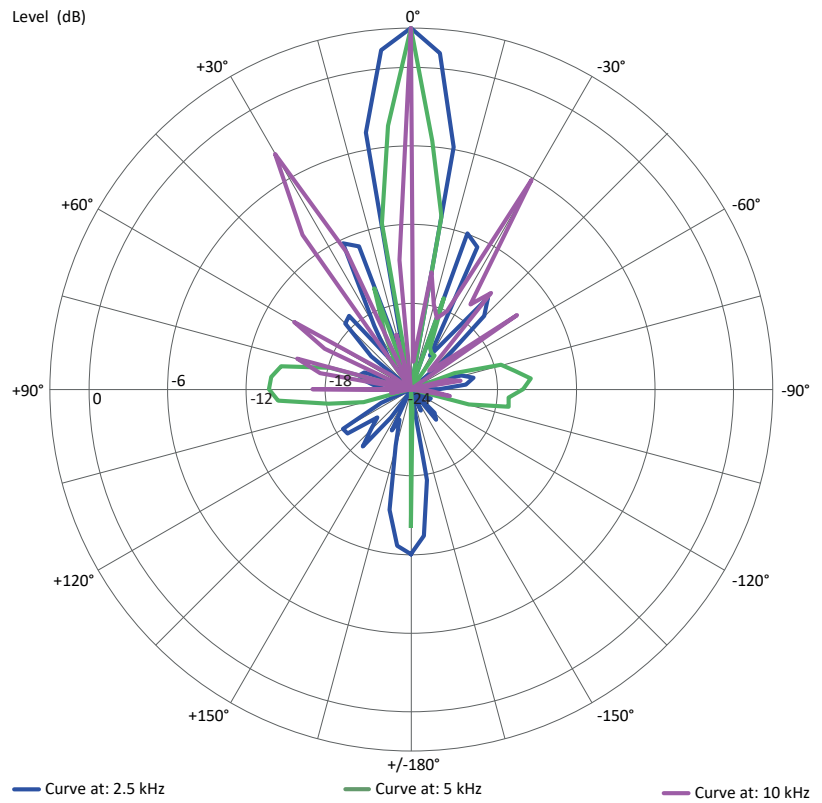
AX8CL VERTICAL directivity map



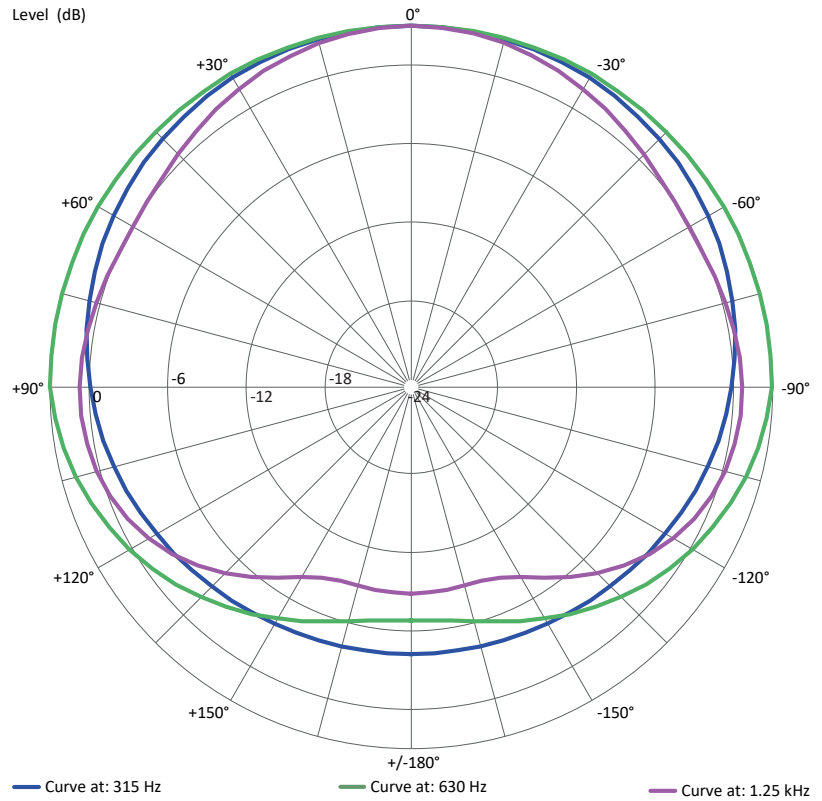
AX8CL HF HORIZONTAL polar diagram



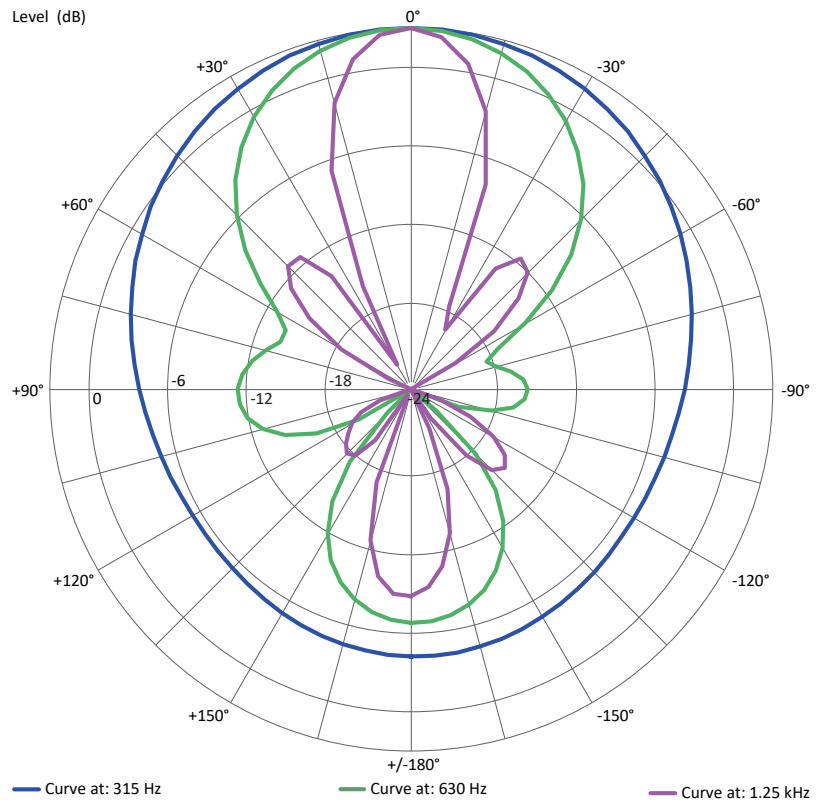
AX8CL HF VERTICAL polar diagram



AX8CL LF HORIZONTAL polar diagram



AX8CL LF VERTICAL polar diagram



RIGGING HARDWARE AND ACCESSORIES

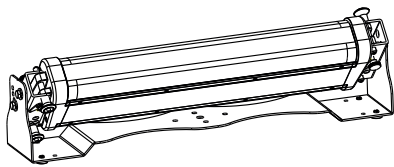
Thanks to its elegant mechanical design the AX8CL can be easily transported, while the integrated suspension system makes its deployment very fast and simple. Each unit comes with two aluminum brackets and two pins that allows multiple array elements to be easily combined either together, with the AX16CL or with the matching SW212A subwoofer. The brackets allow inter-cabinet angles of 0°, 2° and 4°.

A complete range of accessories for transport, installation and connections are available.

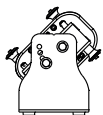
KPTAX16CL	Flybar for suspending up to 6 units
KPTWAX8CL	Wall/Floor bracket for AX8CL (C-shape)
KPTWAX16CL	Wall bracket for up to 4 units
KPTWAX16CLL	Wall bracket for 1 unit
KPTFAX16CL	Floor stand
KPTTSTANDAX16CL	Floor stand
KPTPOLEAX16CL	Pole adapter
KPTFAXCL	Foam adapters for stage monitor or frontfill applications
COVERAX8CL	Cover / carrying bag for single AX8CL
DHSS10M20	ø35mm 1-1.7m Pole with Handle and M20 screw
KP210S	ø35mm 0.7-1.2m Pole with M20 screw
PLG716	Galvanized steel shackle
ESO2500LU025	25cm 4x4mm SPEAKON linking cable

KPTWAX8CL is a c-shape bracket that can be used in front-fill or monitor applications on stage and for under balcony or side wall installations in theatres and conference room spaces. .

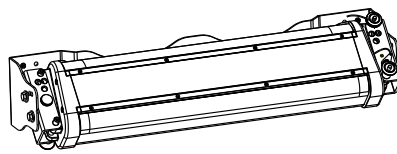
on floor/front fill/stage monitor



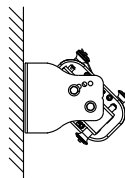
0° +45° (12.5° 4 step)



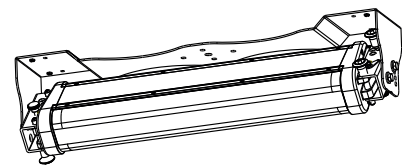
on side wall (horizontally)



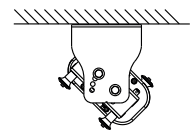
45°-90° (12.5° 4 step)



on ceiling/under balcony

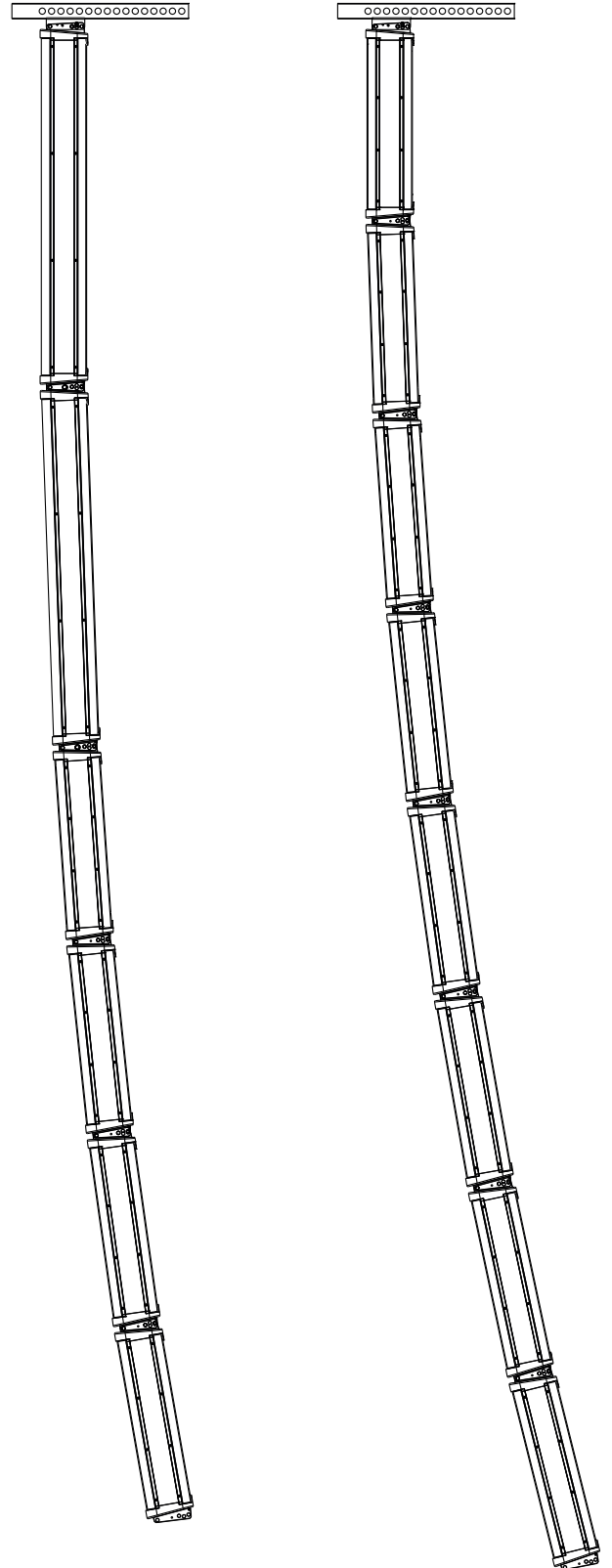
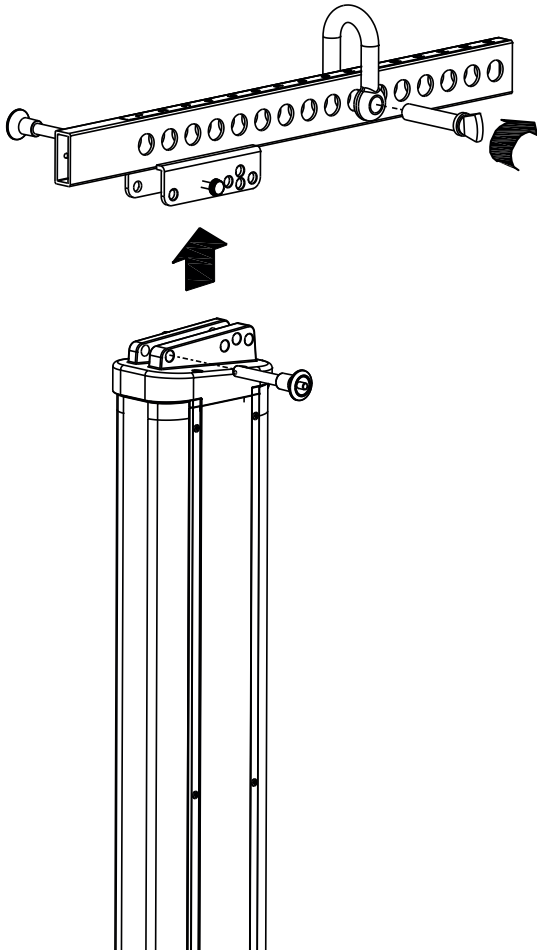


0° -45° (12.5° 4 step)



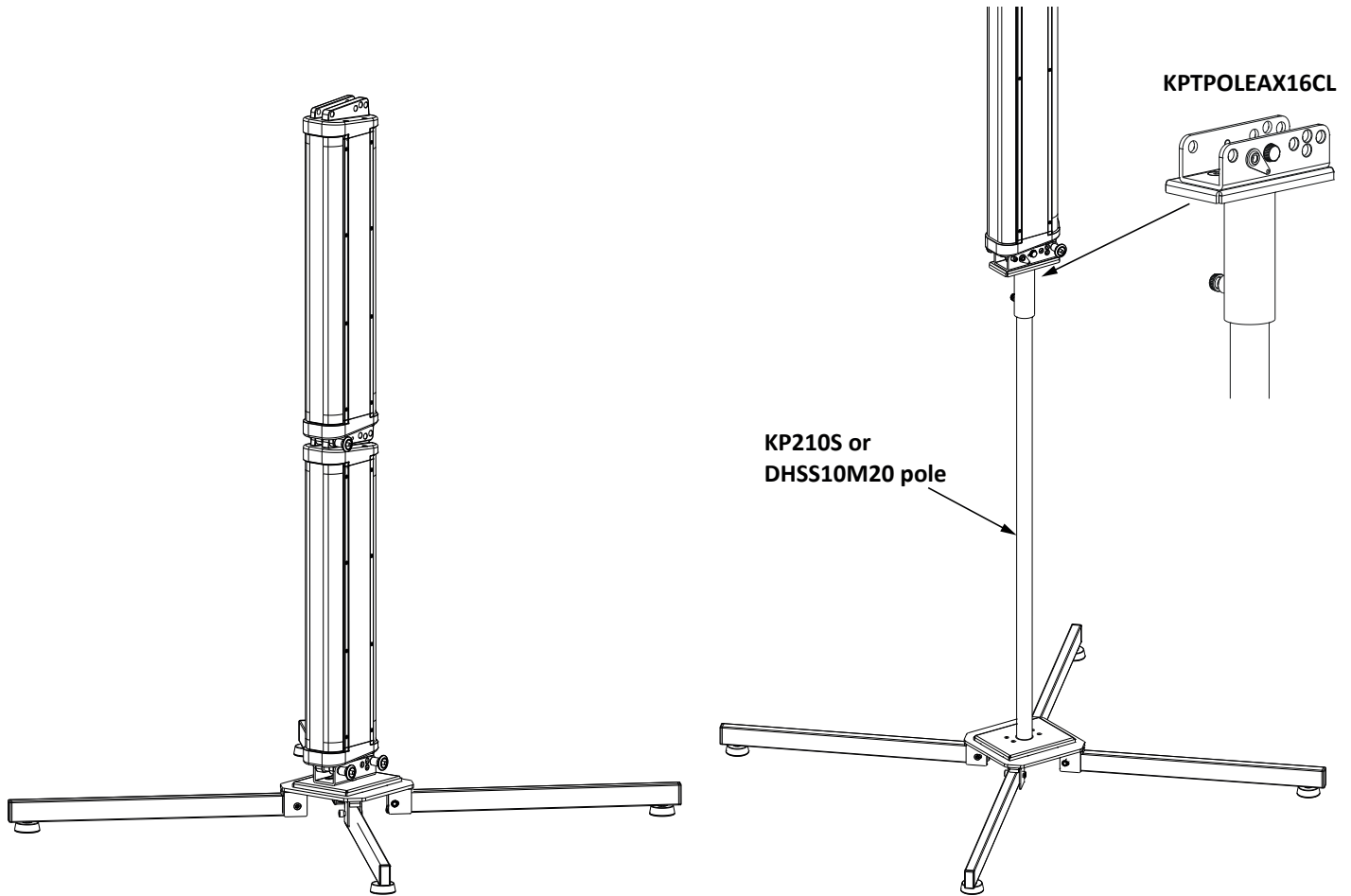
RIGGING HARDWARE AND ACCESSORIES

The AX8CL column can be flown in various combinations with AX16CL using the **KPTAX16CL** flybar, with inter-cabinet angles of up to 2°. It can also be combined with the AX8CL.



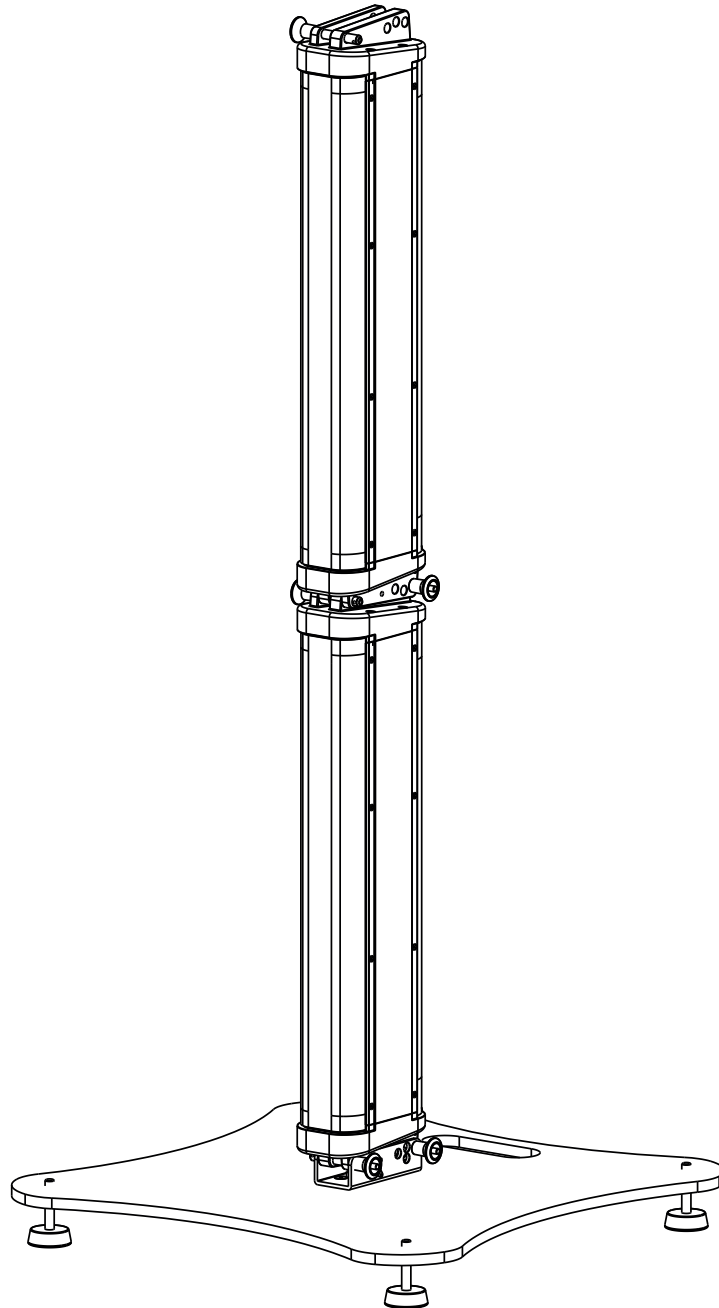
RIGGING HARDWARE AND ACCESSORIES

The **KPTFAX16CL** floor stand enables AX8CL columns to be floor mounted as up to four vertically orientated units or in combination with AX16CL. Up to two units can be also installed using DHSS10M20 or KP210S extenders with a **KPTPOLEX16CL** pole adapter.



RIGGING HARDWARE AND ACCESSORIES

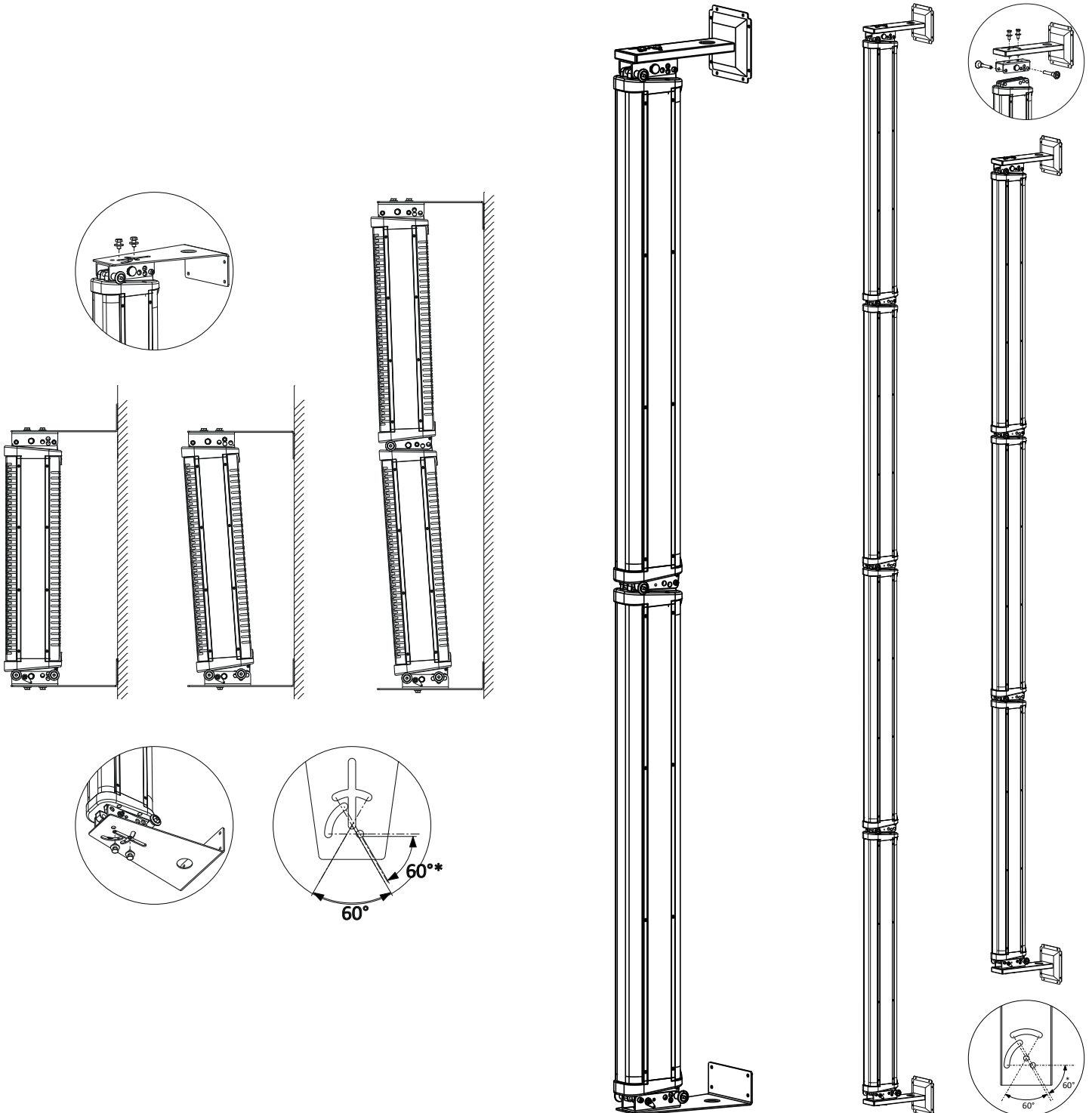
The **KPTSTANDAX16CL** represents a more elegant solution when the AX8CL columns must be floor mounted and used as AV system for corporate events, exhibitions, fashion events and show rooms, alone or in combination with AX16CL.



RIGGING HARDWARE AND ACCESSORIES

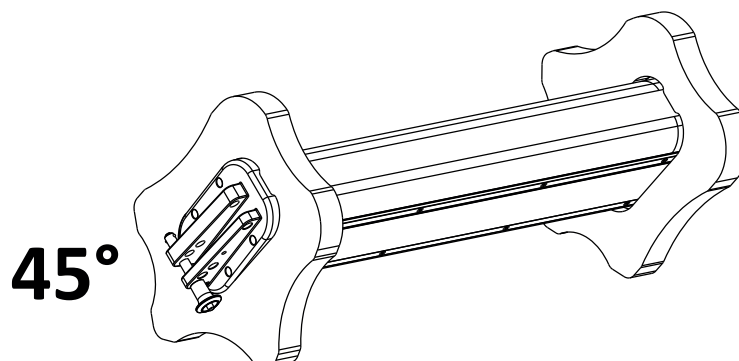
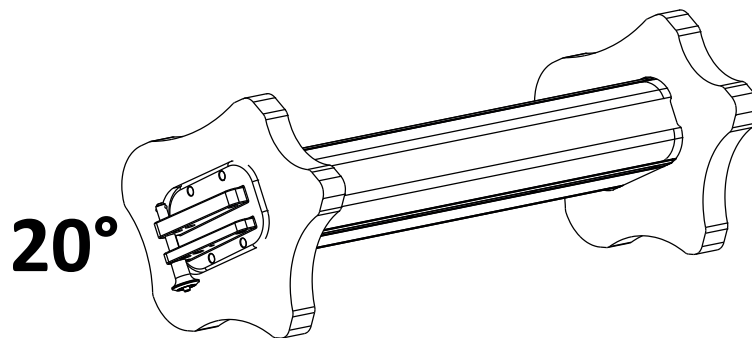
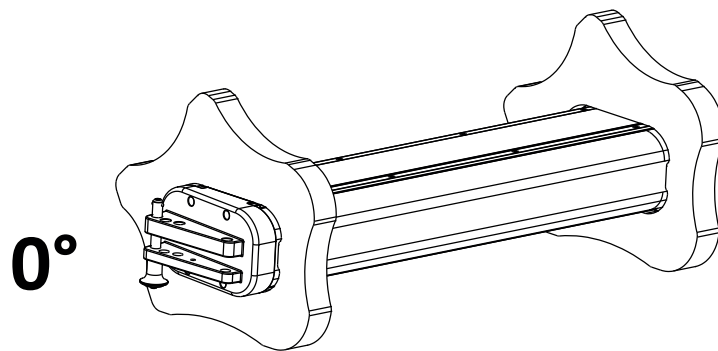
One or two AX8CL can be easily wall mounted using the **KPTWAX16CLL** wall bracket. Horizontal aiming angles of up to 30° either side can be applied (with the columns in vertical position). A single column can be also tilted downward by 4° and two columns by 2° + 2°.

An array of four AX8CL, or one AX16CL plus two AX8CL, can be wall mounted using a **KPTWAX16CLL** together with **KPTWAX16CL**. Many different arrays of more AX8CL columns, also in combination with AX16CL, can be installed using two **KPTWAX16CL**.



RIGGING HARDWARE AND ACCESSORIES

KPTFAXCL includes two foam adapter and it can be used in front-fill or monitor applications on stage. It has three different angles of inclination to orient the sound where necessary.



ENGINEERING DRAWING

