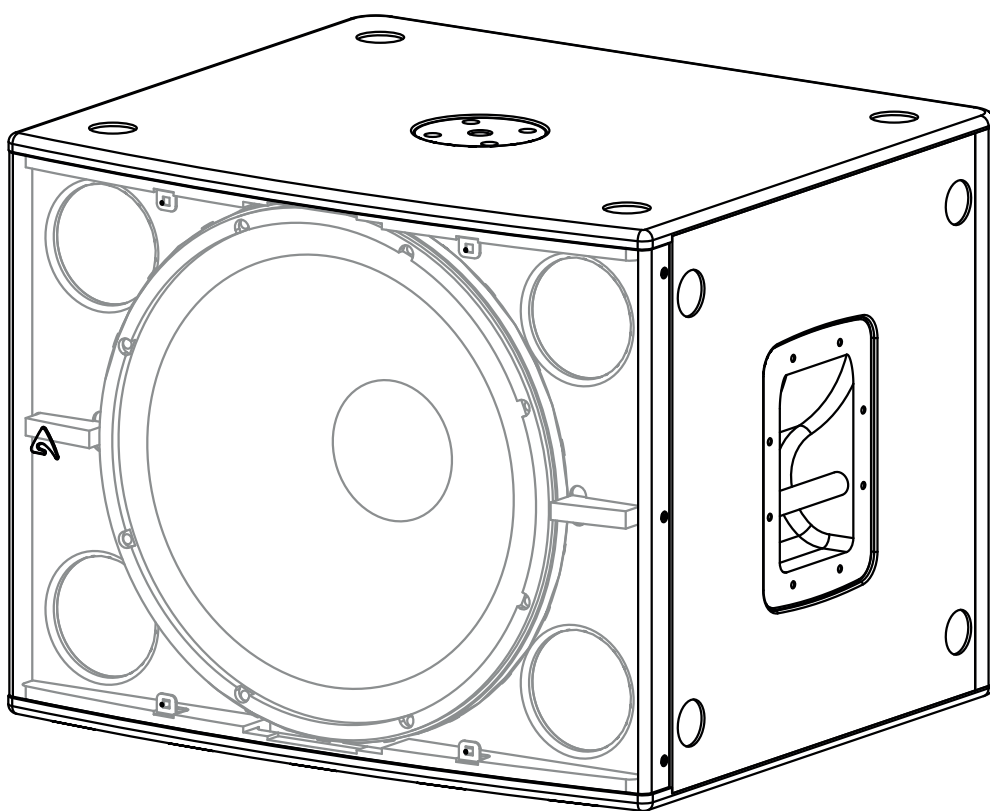




SW18P

passive subwoofer



USER MANUAL

revision 2023-08-31





IMPORTANT SAFETY INSTRUCTIONS

Watch for these symbols:



The lightning flash with arrowhead symbol within an equilateral triangle is intended to alert the user to the presence of uninsulated “dangerous voltage” within the product’s enclosure, that may be of sufficient magnitude to constitute a risk of electric shock to persons.



The exclamation point within an equilateral triangle is intended to alert the user to the presence of important operating and maintenance (servicing) instructions in the literature accompanying the appliance.

1. Read these instructions.
2. Keep these instructions.
3. Heed all warnings.
4. Follow all instructions.
5. Do not use this apparatus near water.
6. Clean only with dry cloth.
7. Do not block any ventilation openings. Install in accordance with the manufacturer’s instructions.
8. Do not install near any heat sources such as radiators, heat registers, stoves, or other apparatus (including amplifiers) that produce heat.
9. Do not defeat the safety purpose of the polarized or grounding-type plug. A polarized plug has two blades with one wider than the other. A grounding-type plug has two blades and a third grounding prong. The wide blade or the third prong are provided for your safety. If the provided plug does not fit into your outlet, consult an electrician for replacement of the obsolete outlet.
10. Protect the power cord from being walked on or pinched, particularly at plugs, convenience receptacles, and the point where they exit from the apparatus.
11. Only use attachments/accessories specified by the manufacturer.
12. Use only with the cart, stand, tripod, bracket, or table specified by the manufacturer, or sold with the apparatus. When a cart is used, use caution when moving the cart/apparatus combination to avoid injury from tip-over.
13. Unplug this apparatus during lightning storms or when unused for long periods of time.
14. Refer all servicing to qualified service personnel. Servicing is required when the apparatus has been damaged in any way, such as power supply cord or plug is damaged, liquid has been spilled or objects have fallen into the apparatus, the apparatus has been exposed to rain or moisture, does not operate normally, or has been dropped.
15. Warning: to reduce the risk of fire or electric shock, do not expose this apparatus to rain or moisture.
16. Do not expose this equipment to dripping or splashing and ensure that no objects filled with liquids, such as vases, are placed on the equipment.
17. To completely disconnect this apparatus from the ac mains, disconnect the power supply cord plug from the ac receptacle.
18. The mains plug of the power supply cord shall remain readily operable.
19. This apparatus contains potentially lethal voltages. To prevent electric shock or hazard, do not remove the chassis, input module or ac input covers. No user serviceable parts inside. Refer servicing to qualified service personnel.
20. The loudspeakers covered by this manual are not intended for high moisture outdoor environments. Moisture can damage the speaker cone and surround and cause corrosion of electrical contacts and metal parts. Avoid exposing the speakers to direct moisture.
21. Keep loudspeakers out of extended or intense direct sunlight. The driver suspension will prematurely dry out and finished surfaces may be degraded by long-term exposure to intense ultra-violet (UV) light.
22. The loudspeakers can generate considerable energy. When placed on a slippery surface such as polished wood or linoleum, the speaker may move due to its acoustical energy output.
23. Precautions should be taken to assure that the speaker does not fall off a stage or table on which it is placed.
24. The loudspeakers are easily capable of generating sound pressure levels (SPL) sufficient to cause permanent hearing damage to performers, production crew and audience members. Caution should be taken to avoid prolonged exposure to SPL in excess of 90 dB.



This marking shown on the product or its literature, indicates that it should not be disposed with other household wastes at the end of its working life. To prevent possible harm to the environment or human health from uncontrolled waste disposal, please separate this from other types of wastes and recycle it responsibly to promote the sustainable reuse of material resources. Household users should contact either the retailer where they purchased this product, or their local government office, for details of where and how they can take this item for environmentally safe recycling. Business users should contact their supplier and check the terms and conditions of the purchase contract. This product should not be mixed with other commercial wastes for disposal.



DECLARATION OF CONFORMITY



The product is in compliance with:

RoHS Directive 2011/65/EU and 2015/863/EU, WEEE Directive 2012/19/EU.



The product is in compliance with:

S.I. 2012/3032 The Restriction of the Use of Certain Hazardous Substances in Electrical and Electronic Equipment Regulations 2012

LIMITED WARRANTY

Proel warrants all materials, workmanship and proper operation of this product for a period of two years from the original date of purchase. If any defects are found in the materials or workmanship or if the product fails to function properly during the applicable warranty period, the owner should inform about these defects the dealer or the distributor, providing receipt or invoice of date of purchase and defect detailed description. This warranty does not extend to damage resulting from improper installation, misuse, neglect or abuse. Proel S.p.A. will verify damage on returned units, and when the unit has been properly used and warranty is still valid, then the unit will be replaced or repaired. Proel S.p.A. is not responsible for any "direct damage" or "indirect damage" caused by product defectiveness.

- This unit package has been submitted to ISTA 1A integrity tests. We suggest you control the unit conditions immediately after unpacking it.
- If any damage is found, immediately advise the dealer. Keep all unit packaging parts to allow inspection.
- Proel is not responsible for any damage that occurs during shipment.
- Products are sold "delivered ex warehouse" and shipment is at charge and risk of the buyer.
- Possible damages to unit should be immediately notified to forwarder. Each complaint for package tampered with should be done within eight days from product receipt.

CONDITIONS OF USE

Proel do not accept any liability for damage caused to third parties due to improper installation, use of non-original spare parts, lack of maintenance, tampering or improper use of this product, including disregard of acceptable and applicable safety standards. Proel strongly recommends that this loudspeaker cabinet be suspended taking into consideration all current National, Federal, State and Local regulations. The product must be installed by qualified personal. Please contact the manufacturer for further information.



INDEX

INTRODUCTION	4
TECHNICAL SPECIFICATION	4
MECHANICAL DRAWING	5
OPTIONAL ACCESSORIES	5
SPARE PARTS	5
INPUT	6
LINK	6

INTRODUCTION

The SW18P is a high-power compact subwoofer that provides extended low frequency response for specific models in the ED series of high performance point source loudspeakers. It is suitable for the use in live music venues, nightclubs, bars, houses of worship and for corporate and A/V applications.

The SW18P subwoofer system is equipped with a high power 18" (460mm) transducer capable of long excursion (up to 30mm peak-to-peak), controlled by high stiffness Double Silicon Spider as centering suspension that maintains linear voice coil travel even at high output levels. The motor structure features high strength (BL²/Re) with optimized symmetry and excursion controlled by Inner Flux Demodulating Ring. The robust copper 100mm (4") voice coil is wound in two different layers both outside and inside the coil support, then doubling the coil surface exposed to air cooling and consequently improving the long term thermal capacity of the loudspeaker. Cones are made of very high-stiffness glass fiber reinforced paper, featuring also invisible water repellent treatment. The 15mm phenolic birch plywood cabinet is provided with an M20 pole mount socket to allow two-way ED series loudspeakers to be mounted above on a speaker pole. Recessed handles are provided for easy lifting and handling and the included polyurethane wheels aid transportation, while stacking feet and matching recesses enable secure ground stacks. Two Neutrik® speakON™ NL4 connectors provide input and link connections.

TECHNICAL SPECIFICATION

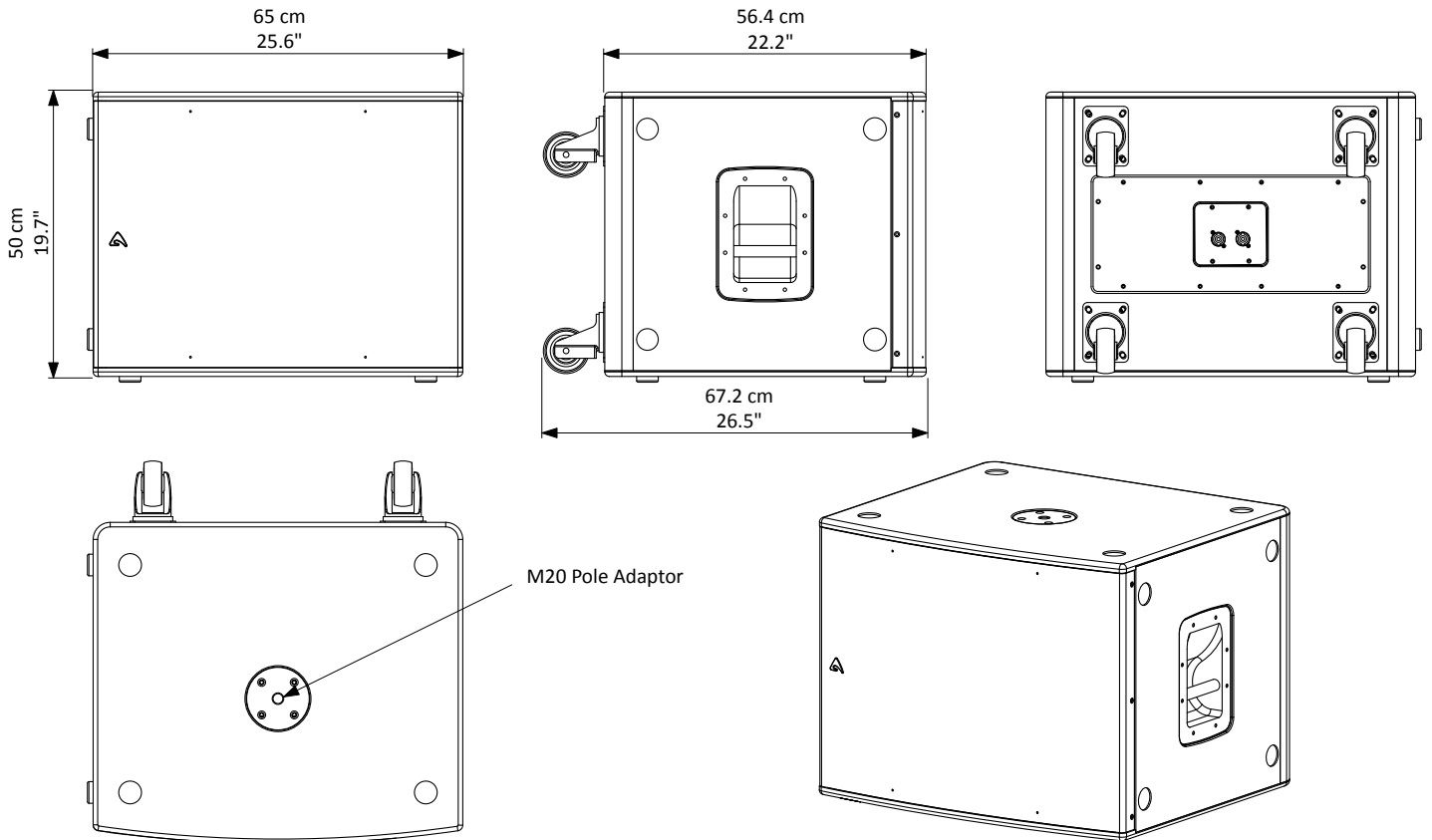
SYSTEM		POWER HANDLING	
System's Acoustic Principle	Direct radiation, vented	Power Handling (AES)*	1200 W
Frequency response (±3 dB)	36 Hz – 100 Hz (Processed)	Power Handling (Program)	2400 W
Nominal Impedance	8 Ω	Power Handling (Peak)	7000 W
Minimum Impedance	6.3 Ω @ 36 Hz		@ -10 dB Power (240 W) = 0.7 dB
Sensitivity (2.83V @ 1m, 2Pi)	98 dB	Power Compression	@ -3 dB Power (1200 W) = 1.5 dB
Maximum Peak SPL @ 1m	132 dB		@ 0 dB Power (2400 W) = 2.2 dB
TRANSDUCERS		ENCLOSURE & CONSTRUCTION	
Type	One 18" (457mm) LF driver, 4" (100mm) voice coil, 8Ω	Width	650 mm (25.6")
Cone	High stiffness, water repellent, glass fibre reinforced cone	Height	500 mm (19.7")
Voice Coil Type	Flux Demodulating Ring VC	Depth	564 mm (22.2")
Suspension	Double Centering Spider Suspension	Depth Including Wheels	673 mm (26.5")
INPUT CONNECTIONS		Enclosure material	15 mm Phenolic Birch Plywood
Connector Type	Neutrik® Speakon® NL4 x 2	Paint	High resistance, black or white water based paint
Input Wiring	Pin 1+/1-; (Pin 2+/2- pass thru)	Wheels	4 x 80mm ø Polyurethane Wheels
		Transport	2 handles
		Net Weight	40 Kg (88.2 lbs.)

* AES Pink Noise Continuous Power





MECHANICAL DRAWING



OPTIONAL ACCESSORIES

NL4FX Neutrik Speakon® PLUG

see <http://www.axiomproaudio.com/> for detailed description and other available accessories.

SPARE PARTS

AC102GS 80 mm Swivel castor

AC115DN Black steel handle

98NEOS18SW8 18" woofer - 4" VC - 8 ohm

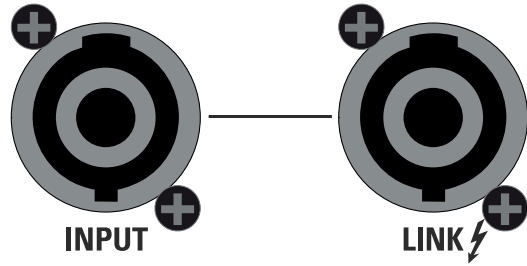
NL4MP Neutrik Speakon® panel socket



INPUT

Power input for the external amplifier. The SW18P does not include a passive crossover for filtering the signal. The connections are the following:

INPUT - LINK	
NL4 pin number	internal connection
1+	+
1-	-
2+	none (pass thru)
2-	none (pass thru)



LINK

Power output in parallel with the INPUT socket for connecting the unit to another speaker. The number of SW18P cabinets that can be connected in parallel depends on the amplifier load capacity.





PROEL S.p.A. (World Headquarters) - Via alla Ruenia 37/43 - 64027 Sant'Omero (Te) - ITALY
Tel: +39 0861 81241 Fax: +39 0861 887862 www.axiomproaudio.com

