



## KEY FEATURES

- High power low profile subwoofer
- Dual 10" woofers
- Water repellent cones
- M10 flying points
- Black or white finish

## APPLICATIONS

- Corporate and A/V
- Live music venues
- Nightclubs and bars
- House of Worship

## TECHNICAL SPECIFICATIONS

### SYSTEM

System's Acoustic Principle	Direct radiation, vented
Frequency Response ( $\pm 3$ dB)	45 Hz – 120 Hz (processed)
Nominal Impedance	8 ohm + 8 ohm
Sensitivity (1.41V @ 1m, 2Pi)	97 dB SPL
Maximum (peak) Output @ 1m	130 dB SPL

### TRANSDUCERS

Type	Two 10" (254mm) LF drivers, 3" (76mm) voice coil, 8 $\Omega$
Cone	Waterproof cone
Voice Coil Type	Ventilated voice coil
Suspension	Cloth surround, Progressive wave Konex spider

### INPUT CONNECTIONS

Connector Type	Neutrik® speakON™ NL4MP x 2
Input Wiring	LF1 = Pin 1+/1-; LF2 = Pin 2+/2-

### POWER HANDLING

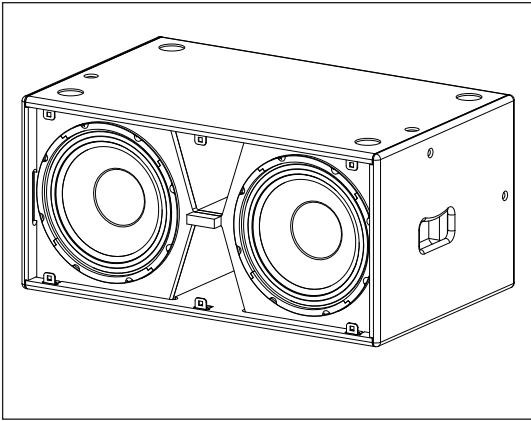
AES Pink Noise Power	350 + 350 W
Program Power	700 + 700 W
Peak Power	1200 + 1200 W

### ENCLOSURE & CONSTRUCTION

Dimensions (W x H x D)	650 mm (25.6") x 310 mm (12.2") x 410mm (16.1")
Enclosure material	15mm, reinforced phenolic birch plywood
Paint	High resistance, black or white water based paint
Flying System	4 x M10 flying points
Net Weight	30 kg (66 lbs)

## DESCRIPTION

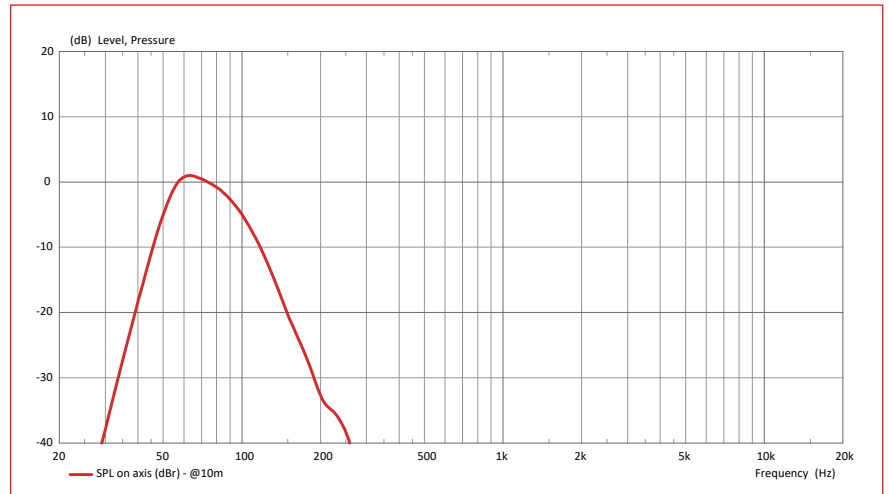
The SW210P is a compact, powerful, low profile subwoofer that provides extended low frequency response for specific models in the ED series of high performance point source loudspeakers. Due to its low profile it is ideal for corporate and AV applications, and for permanent installations in live music venues, nightclubs and bars, and houses of worship where subwoofers may have to be fitted under seating or in confined spaces.



The 10" low frequency transducers are equipped with waterproof cones and this feature, together with the moisture resistant cabinet, makes the SW210P suitable for use in light duty outdoor applications. The transducer technology combines a 3" sandwich voice coil with a fiberglass former progressive wave Konex spider; a cloth surround with DAR technology; a high excursion ferrite magnet circuit with demodulating ring; and a ventilated voice coil and magnet to reduce power compression.

Recessed handles are provided for easy lifting and handling, and the included polyurethane wheels aid transportation, while stacking feet and matching recesses enable secure ground stacks. Four M10 flying points are also provided to allow suspension in permanent installations. Two Neutrik® speakON™ NL4 connectors provide input and link connections.

## SW210P frequency response



## ENGINEERING DRAWING

