

SW215A

Dual 15" (380mm), Very High Output, Manifolded Band Pass, Powered, CORE Processed, Subwoofer System



KEY FEATURES

- ▲ Very High Output
- ▲ Compact size for a very good output-to-weight ratio
- ▲ Manifolded Band Pass configuration for a high output in a compact size
- ▲ High-strength, water repellent cones
- ▲ Long-excursion split coil for extended linear response
- ▲ 96kHz / 40 bit floating point CORE processing with PRONET remote control
- ▲ Digitally controlled Class D amplifier module with SMPS

APPLICATIONS

The SW215A subwoofer is designed to deliver high quality low frequency reproduction where very high output is a key requirement, together with well defined deep bass response and fast transient response. Its compact size and light weight make it suitable for several different uses, ranging from touring applications to fixed installations and high-level dance clubs.

THE SW215A SUBWOOFER SYSTEM

The SW215A is a very high quality powered subwoofer system featuring some of the most advanced technologies for low frequency reproduction. Its unique and innovative design is based on a configuration that can be defined as Manifolded Band Pass.

SYSTEM SPECIFICATIONS

SYSTEM

System's Acoustic Principle	Manifolded Band Pass
Frequency Response (± 3 dB)	39 Hz – 100 Hz (Processed)
Maximum Peak SPL @ 1m	139 dB

TRANSDUCERS

Type	Two 15" (380mm), 3" (75mm) VC
Cone	High stiffness, water repellent
Voice Coil Type	Flux Demodulating Ring
Suspension	Double Centering Spider

ELECTRICAL

Input Impedance	20 k Ω balanced, 10 k Ω unbalanced
Input Sensitivity	+4dBu / 1.25 V
Signal Processing	CORE processing, 96kHz / 40bit floating point SHARC DSP, 24 bit AD/DA converters
Direct access Controls	4 Presets (Standard/InfraSub/Cardioid/ User), Network Termination, GND Link
Remote Controls	PRONET control software
Network protocol	CANBUS
Amplifier Type	Class D with SMPS, Variable Switching Frequency
Output Power	1000W + 1000W
Mains Voltage Range (Vac)	230V $\pm 15\%$ - 115 $\pm 15\%$ 50/60Hz (internally selectable)
IN / OUT Connectors	Neutrik XLR-M / XLR-F
IN / OUT Network Connectors	ETHERCON®(NE8FAV)
Mains Connector	PowerCon® (NAC3MPA)
Cooling	Variable speed DC fan

ENCLOSURE & CONSTRUCTION

Physical Dimensions	
Width	571 mm (22.48")
Height	800 mm (31.50")
Depth	582 mm (22.91")
Depth Including Wheels	710 mm (27.95")
Enclosure Material	15mm, reinforced phenolic birch
Paint	High resistance, water based paint
Suspension system (SW215FA)	
Side Suspension	High Strength Steel with ¼ Fast Pin
Back Suspension	High Strength Steel with ¼ Fast Pin
Wheels	4 heavy-load 100 mm \varnothing
Net Weight	SW215A: 64.5 Kg (142.20 lbs.) - SW215FA: 68.5 Kg (151 lbs.)



SW215A

Dual 15" (380mm), Very High Output, Manifolded Band Pass, Powered, CORE Processed, Subwoofer System

It uses manifolding of the front side of the cones to maximize the mutual coupling between the two drivers. This innovative configuration does not use any large resonant cavity to load the speaker, but very compact cavities in order to obtain advantages in terms of definition, both at the lowest end and the upper bass.

TRANSDUCERS

The SW215A subwoofer system is equipped with two high power 15" (380mm) transducers capable of long excursion (up to 33mm peak-to-peak), controlled by high stiffness Double Silicon Spider as centering suspension and by heavy duty surround. The motor structure features high strength (BL^2/Re) with optimized symmetry and excursion controlled by Aluminum Demodulating Ring.

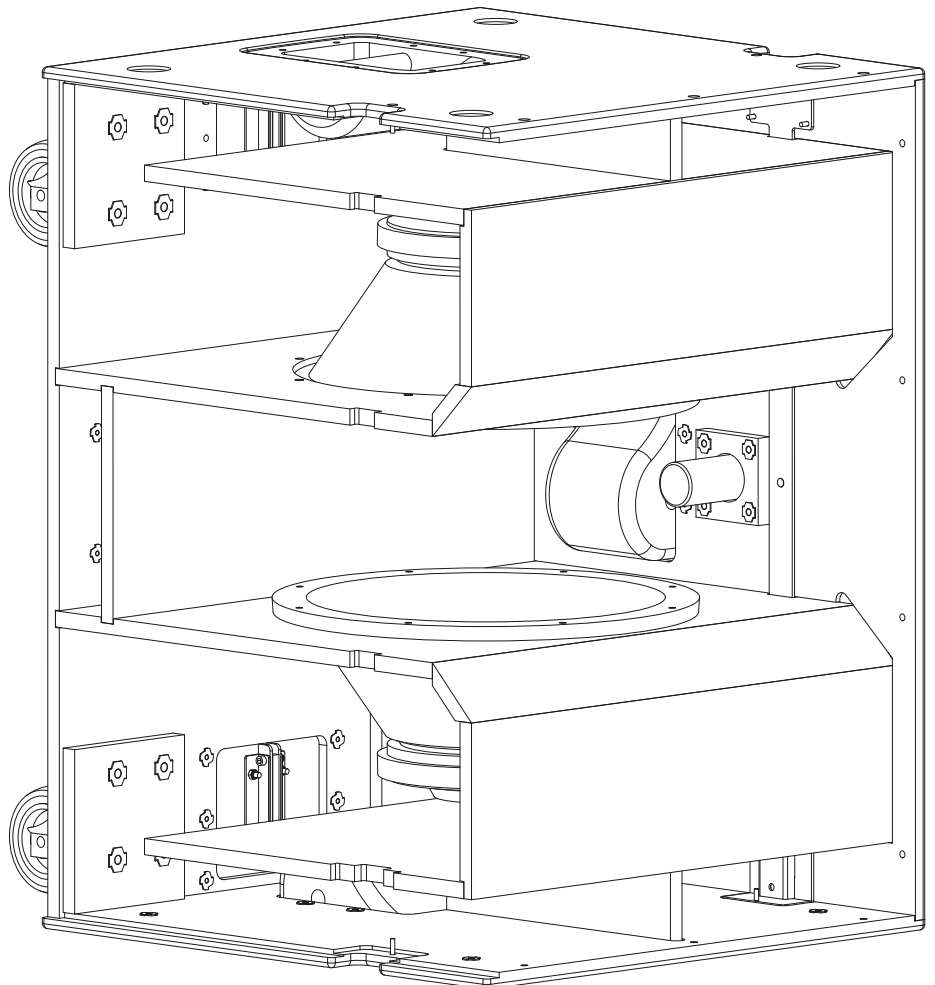
The robust copper 75mm (3") voice coil is wound in two different layers both outside and inside the coil support, then doubling the coil surface exposed to air cooling and consequently improving the long term thermal capacity of the loudspeaker.

Cones are made of very high-stiffness reinforced paper, featuring also invisible water repellent treatment.

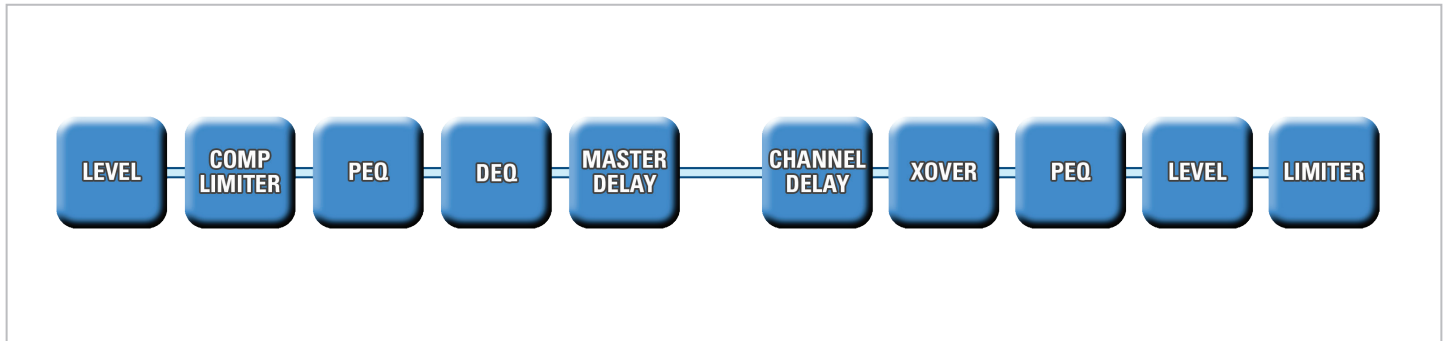
PERFORMANCES

The SW215A represents an innovative subwoofer design that features unprecedented performances in terms of low frequency definition and "punchy" feeling in the upper bass range.

The combination of accuracy in acoustic transient response together with the use of latest technology in transducers linearity, signal processing and power amplifiers allows the SW215A to deliver unprecedented low frequency reproduction quality with solid deep end, together with very fast and accurate bass response.



SIGNAL PROCESSING and POWER AMPLIFIERS



The system processing is based on the **CORE DSP platform** designed by the PROEL R&D Laboratories using one of the most advanced SHARC DSP for audio application. It features 40bit, 96kHz floating point resolution and top-quality 24bit AD/DA converters, for a perfect signal integrity, a dynamic range in excess of 110dB and a superior sonic performance. Thanks to its massive processing power, the CORE platform is capable of providing the most sophisticated algorithms for speaker processing, together with remote control and networking capability.



The PRONET control software, working on a solid and reliable CANBUS based network protocol, provides an intuitive interface for the remote control of the whole system, with the possibility of eqing, delaying, increasing the protections and monitoring the status of the amplifier.

The SW215A is powered by **DA SERIES** digital power modules, a new generation of CLASS D power amplifier with digitally-controlled SMPS. The innovative technology used for these amplifiers (including also the use of a variable switching frequency) offers performances at the top of the range, such as a superior sound definition at any audio frequency, very high dynamics also for low level signals and very low distortion even at the maximum power. The superior sound quality can be compared with top-of-the-range AB-class analog systems, while the DA modules feature a higher dynamics, very compact size and light weight and efficiency above 90%.



The DA module employed for powering the SW215A delivers in an ultra-compact package a maximum power of 2000W.

HARDWARE

The SW215A is available in two versions, with (code SW215FA) or without (code SW215A) the flying hardware.

In the SW215FA model the built-in suspension system allows one or more sub-woofers to be flown together with the AX2065 vertical array module. The flying system is extremely simple to use and a complete array can be flown in a flash by just a couple of people.

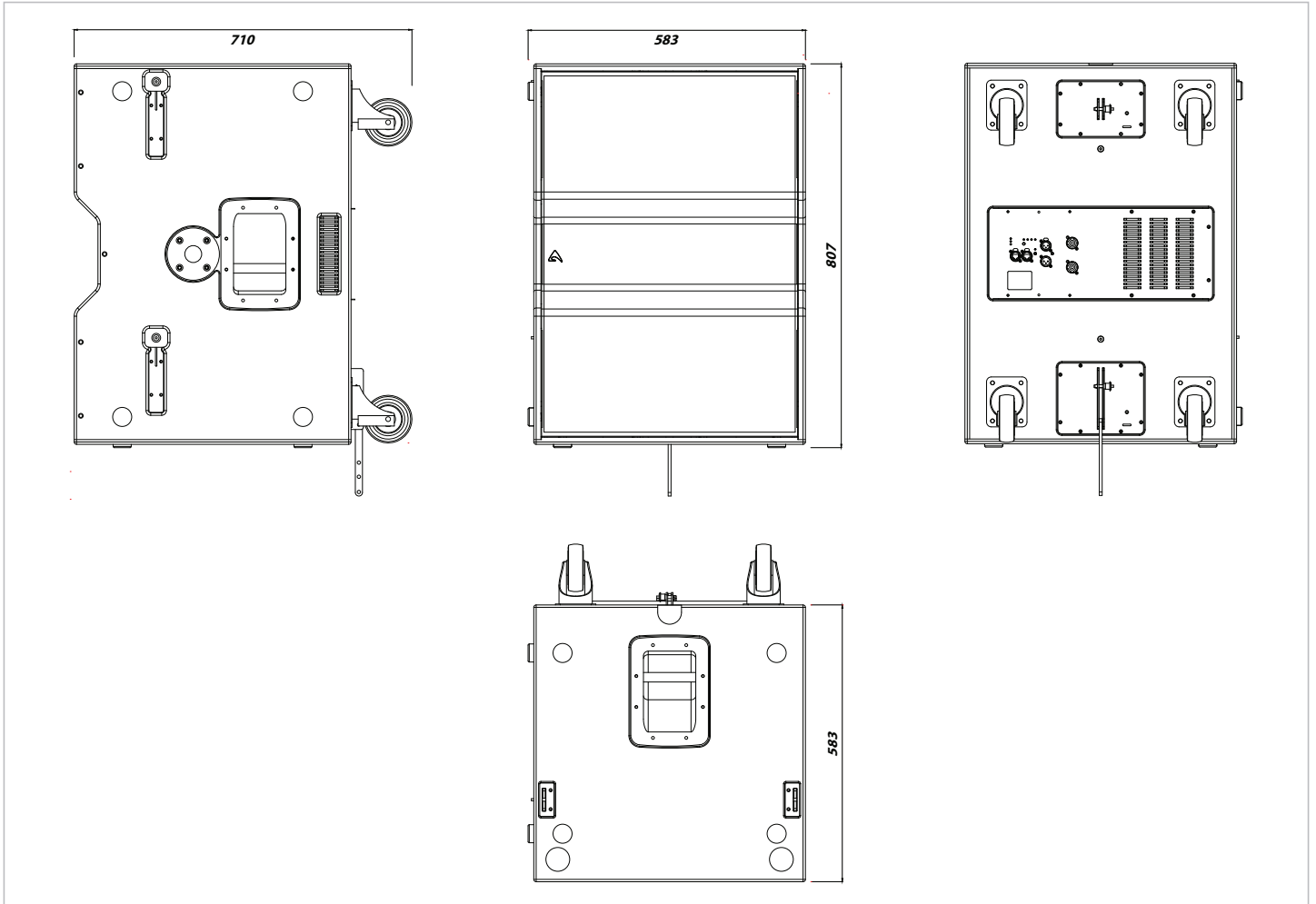
The SW215A offers a cost effective solution for all applications where flying the sub-woofers is not needed.



SW215A

Dual 15" (380mm), Very High Output, Manifolded Transmission Line, Powered, CORE Processed, Subwoofer System

PHYSICAL DIMENSIONS



POWER MODULE CONTROL & CONNECTION PANEL

