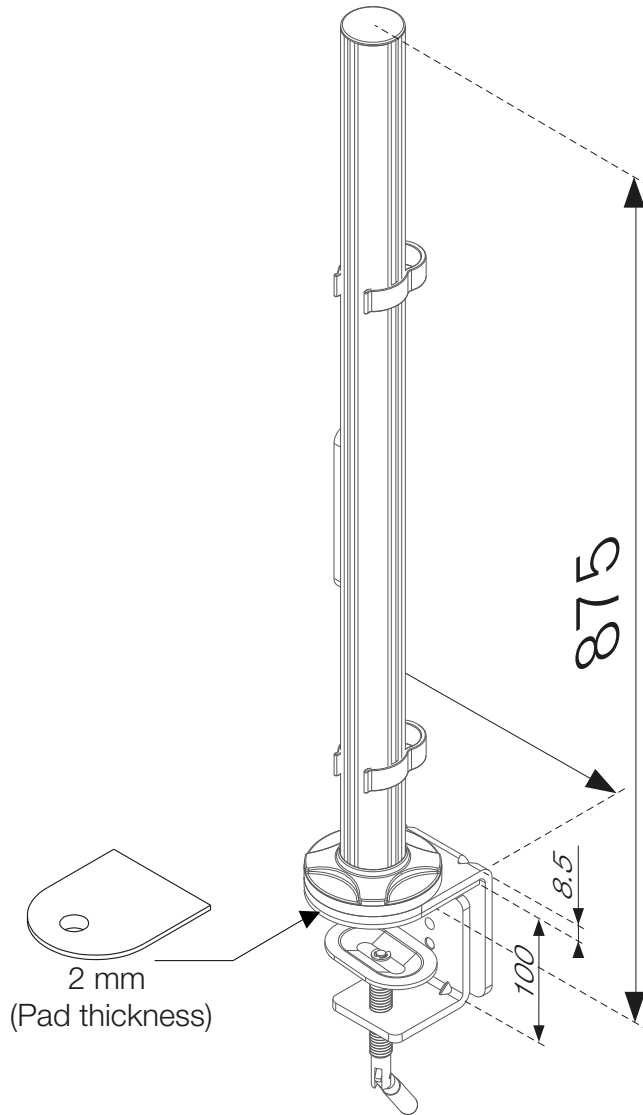


■ 436-FP85

Conceptum 850 mm Pole kit inclusive normal table clamps



Oriented View



Close up (Table Clamp)

