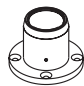




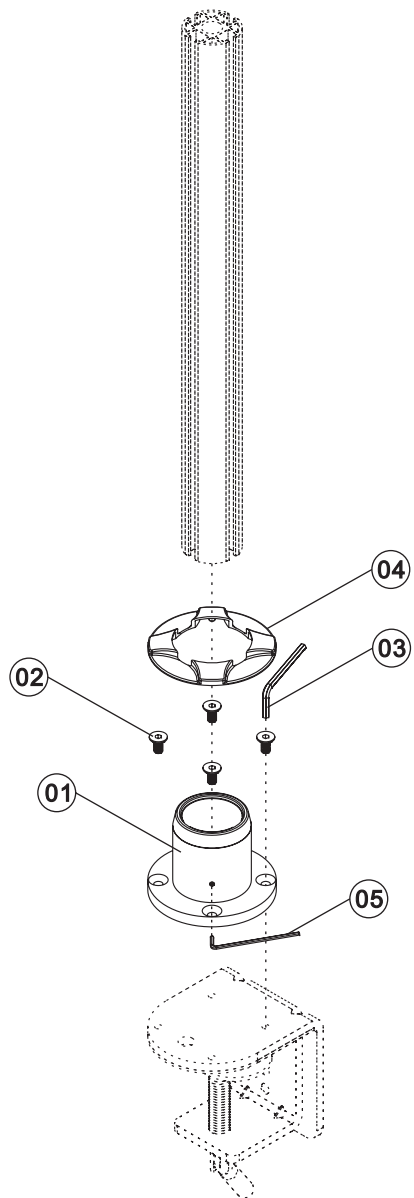


438-PACUP-A

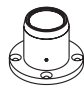




Check List

- | | | |
|----|---|----|
| 01 |  | X1 |
| 02 |  | X4 |
| 03 |  (4mm) | X1 |
| 04 |  | X1 |
| 05 |  (2mm) | X1 |



438-PACUP-A

Check List

- | | | |
|----|---|----|
| 01 |  | X1 |
| 02 |  | X4 |
| 03 |  (4mm) | X1 |
| 04 |  | X1 |
| 05 |  (2mm) | X1 |

