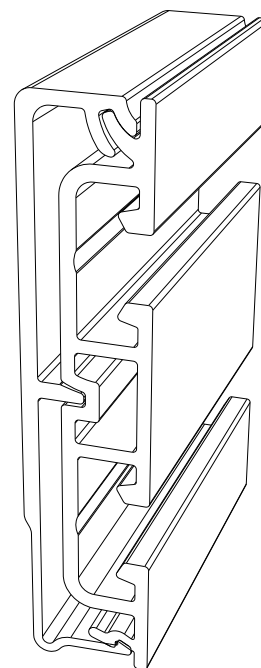
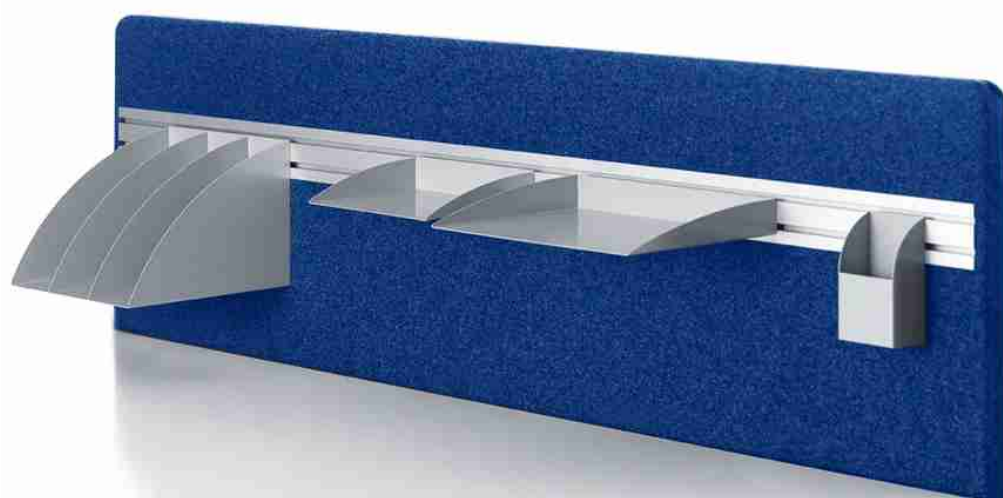


M-Profile



Patented
Registered Community Design

Postadress
KONDATOR AB
BOX 121
SE-135 23 TYRESÖ

SWEDEN

Besöksadress
KONDATOR AB
Energivägen 8
SE-135 49 TYRESÖ

SWEDEN

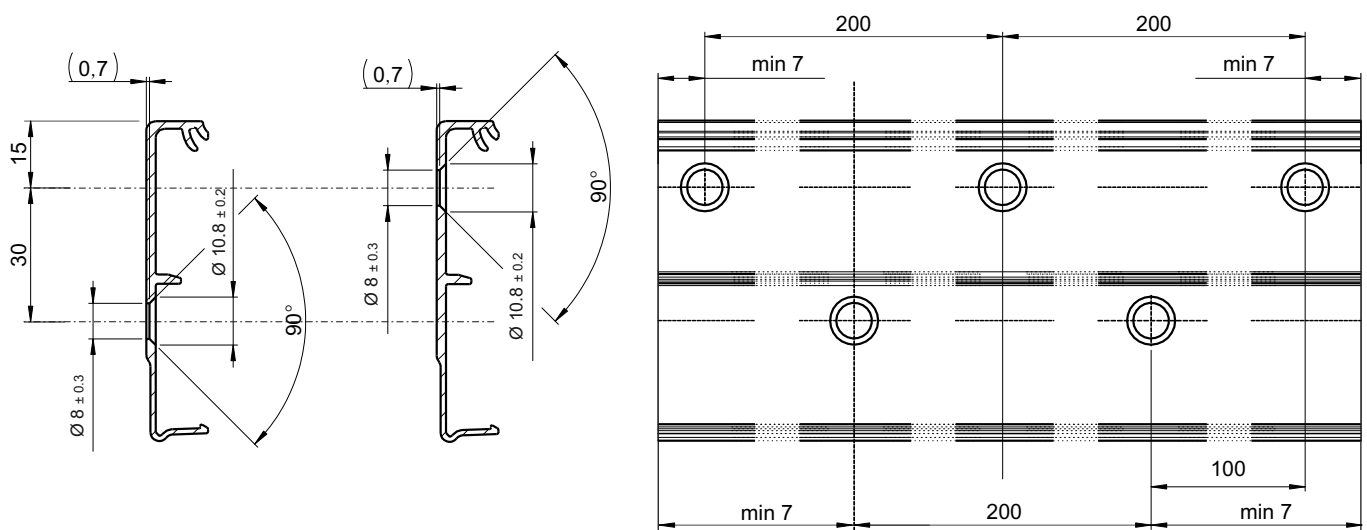
Hemsida
www.kondator.se
e-mail
info@kondator.se
Organisationsnummer
556500-1947

Telefon
+46 8 556 595 00
FAX
+46 8 556 595 10
VAT-nummer
SE556500194701

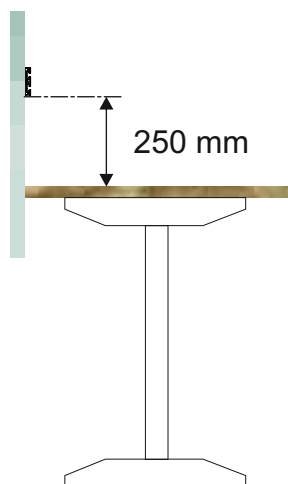
Bankgiro
955-4445
IBAN
SE64 5000 0000 0522 3101 3517
SWIFT
ESSESESS

MOUNTING

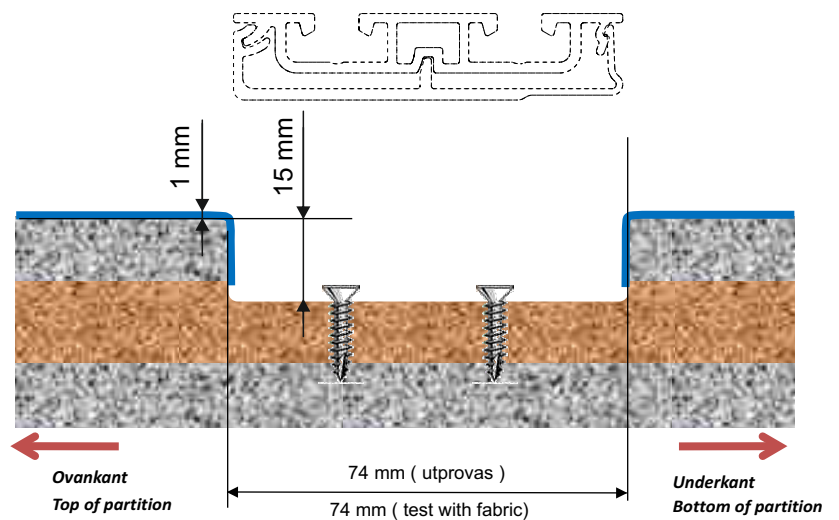
Hole Pattern inner Mounting Profile



Recommended Placement



Recessed Mounting



Patented
Registered Community Design

Postadress
KONDATOR AB
BOX 121
SE-135 23 TYRESÖ

SWEDEN

Besöksadress
KONDATOR AB
Energivägen 8
SE-135 49 TYRESÖ

SWEDEN

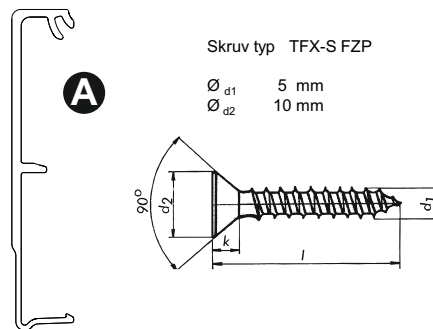
Hemsida
www.kondator.se
e-mail
info@kondator.se
Organisationsnummer
556500-1947

Telefon
+46 8 556 595 00
FAX
+46 8 556 595 10
VAT-nummer
SE556500194701

Bankgiro
955-4445
IBAN
SE64 5000 0000 0522 3101 3517
SWIFT
ESSESESS

ASSEMBLY

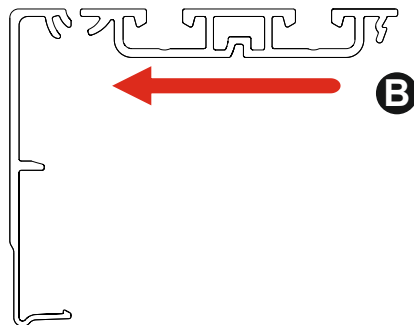
1



Fasten the inner Mounting Profile (A) with 5 mm wood screws using the pre-cut hole pattern.

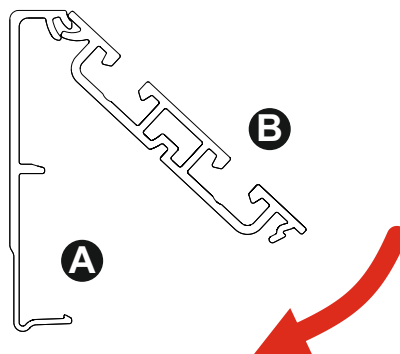
Minimum length: 20 mm

2



Align the outer Front Profile (B) as figure shows (~ 90°).

3

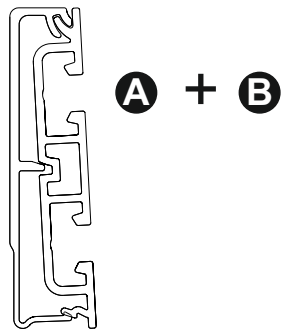


Start rotating the outer Front Profile (B) in a downward direction.

Patented
Registered Community Design

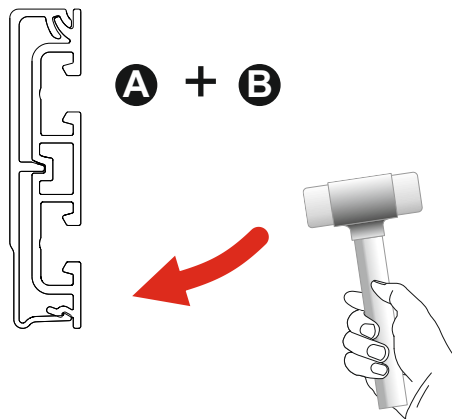
ASSEMBLY

4



The center align feature engage automatically as rotation continues.

5



As rotation continues the snap lock engage.

Normal hand pressure or use of Plastic/Rubber hammer should be enough.

Patented
Registered Community Design

Postadress
KONDATOR AB
BOX 121
SE-135 23 TYRESÖ

SWEDEN

Besöksadress
KONDATOR AB
Energivägen 8
SE-135 49 TYRESÖ

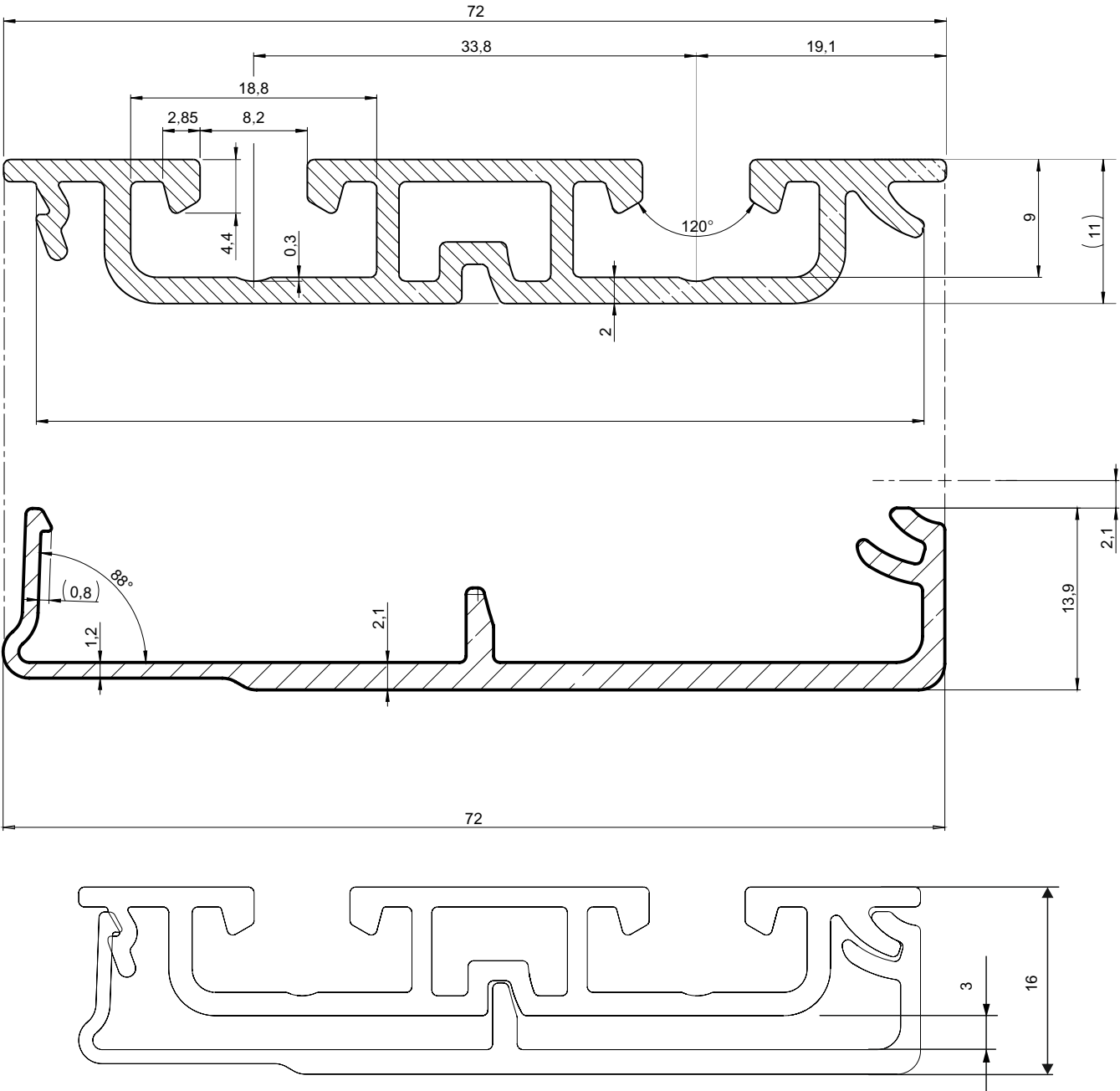
SWEDEN

Hemsida
www.kondator.se
e-mail
info@kondator.se
Organisationsnummer
556500-1947

Telefon
+46 8 556 595 00
FAX
+46 8 556 595 10
VAT-nummer
SE556500194701

Bankgiro
955-4445
IBAN
SE64 5000 0000 0522 3101 3517
SWIFT
ESSESESS

KEY DIMENSIONS



Patented
Registered Community Design

Postadress
KONDATOR AB
BOX 121
SE-135 23 TYRESÖ
SWEDEN

Besöksadress
KONDATOR AB
Energivägen 8
SE-135 49 TYRESÖ
SWEDEN

Hemsida
www.kondator.se
e-mail
info@kondator.se
Organisationsnummer
556500-1947

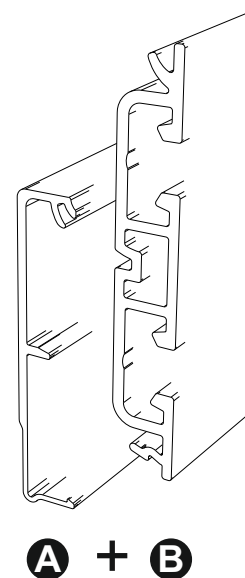
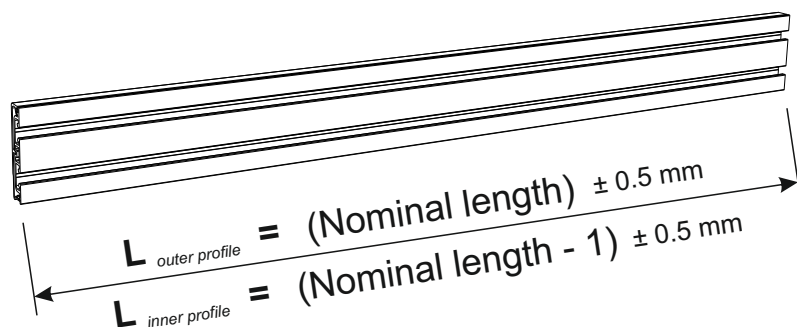
Telefon
+46 8 556 595 00
FAX
+46 8 556 595 10
VAT-nummer
SE556500194701

Bankgiro
955-4445
IBAN
SE64 5000 0000 0522 3101 3517
SWIFT
ESSESESS

Standard lengths

Order Information

The inner Mounting Profile is ALWAYS included in the delivery and can not be ordered separately.



KONDATOR PART NUMBER

Nominal length	Anodized Nature	White (RAL9016)
950 mm	436-MX095	436-MX095W
1150 mm	436-MX115	436-MX115W
1350 mm	436-MX135	436-MX135W
1550 mm	436-MX155	436-MX155W
1750 mm	436-MX175	436-MX175W
1950 mm	436-MX195	436-MX195W
6520*	(B) 436-MX (A) 436-MM	436-MXW 436-MMW

* **Production Bulk Order**

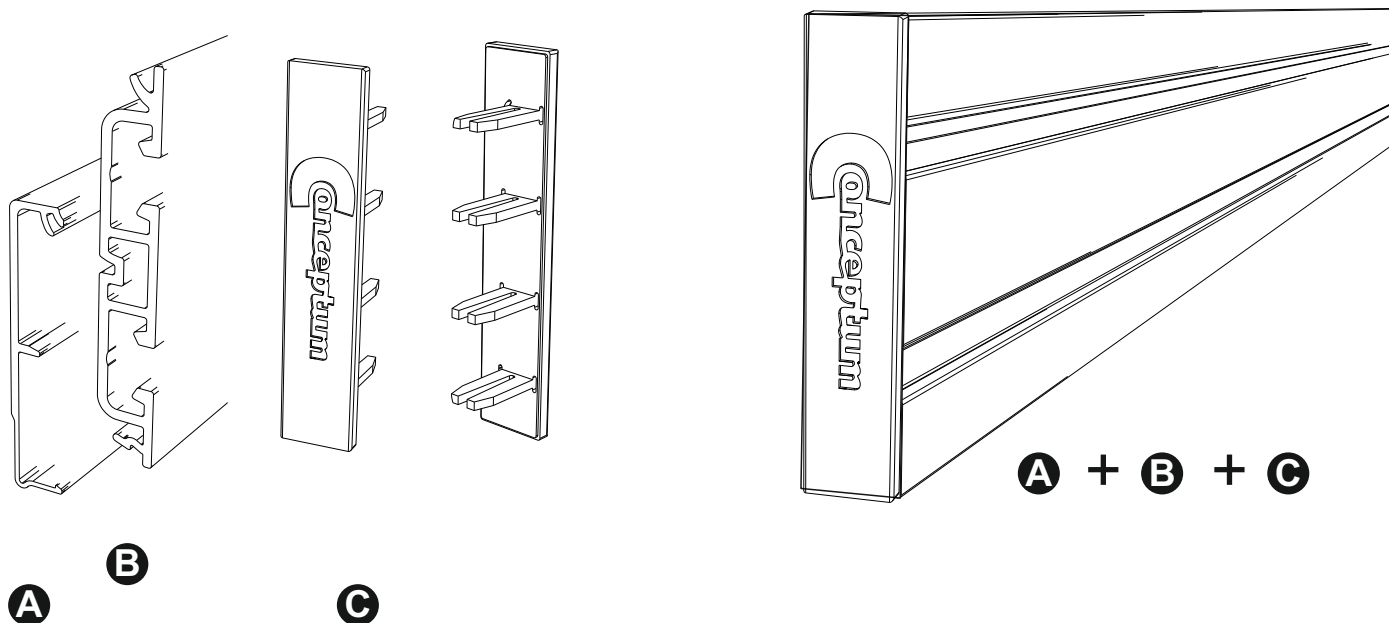
Inner Mounting (A) and outer Front (B) Profile is ordered separately!
 Minimum order is 750 meter of each profile!

Patented
 Registered Community Design

Accessories

Order Information

The End Cover pairs (C) are always ordered separately.



KONDATOR PART NUMBER

Accessories

Grey (RAL7047) White (RAL9016)

Die-cast Plastic

436-MENE

436-MENEW

Update 2016-06-01

Patented
Registered Community Design

Postadress
KONDATOR AB
BOX 121
SE-135 23 TYRESÖ

SWEDEN

Besöksadress
KONDATOR AB
Energivägen 8
SE-135 49 TYRESÖ

SWEDEN

Hemsida
www.kondator.se
e-mail
info@kondator.se
Organisationsnummer
556500-1947

Telefon
+46 8 556 595 00
FAX
+46 8 556 595 10
VAT-nummer
SE556500194701

Bankgiro
955-4445
IBAN
SE64 5000 0000 0522 3101 3517
SWIFT
ESSESESS