

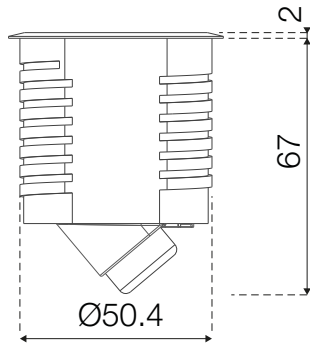


□ 935-PM52W-GST

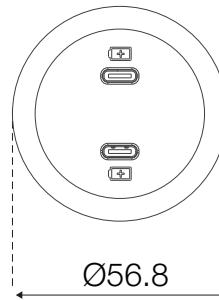
■ 935-PM52-GST

Powerdot MINI - 2 USB-C PD Charger GST18i3

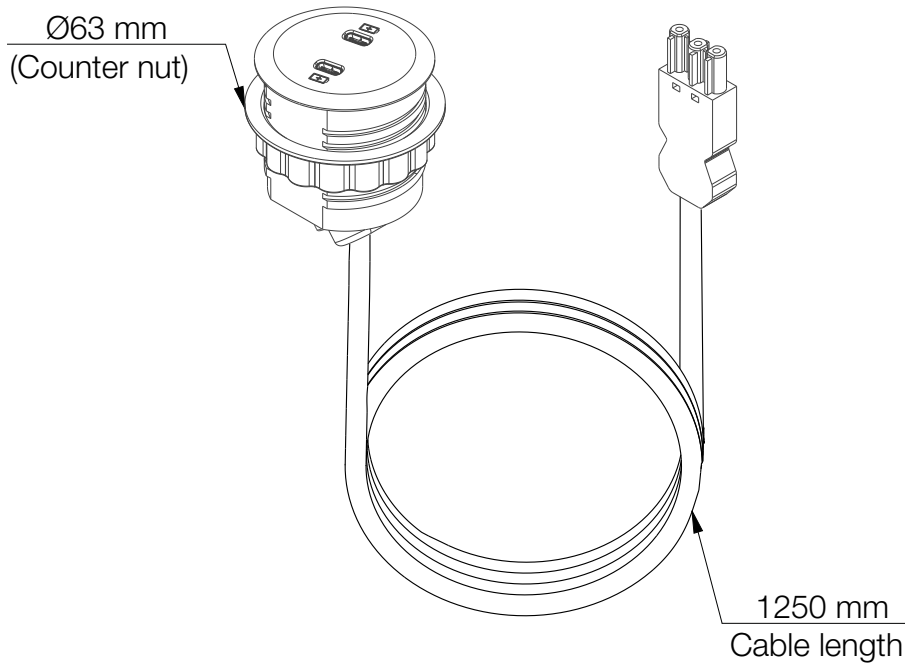
Side View (Grommet)



Top View (Grommet)



Oriented view (Grommet, nut & cable)



Maximum table thickness:
Recommended hole cut:

30 mm
Ø51 mm

Revised
220705