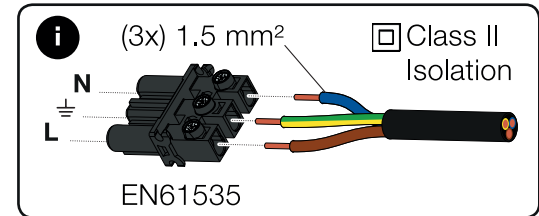
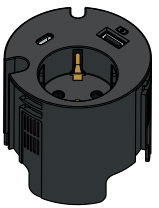





Powerdot

935-PD16W-GST
 935-PD16-GST



CONTENT:

-  **x1**
-  **x1**
-  **x1**

1 DRILL  **Ø79**
 Drill a hole in the surface.

2 INSERT
 Insert grommet into the hole, then feed the plug all the way through the threaded fastening nut.

3 TURN CLOCKWISE & PLUG IN
 Turn the fastening nut as far up the thread as possible. Make sure that it has been thoroughly tightened. Connect the GST18i3. Lastly, connect the USB-C cable to intended device.

Note! The fastening nut has 3 holes for fixing with wood screws.

30 mm maximum

A ADJUSTING HEIGHT
 Connect plug to Powerdot to begin releasing the inner part of the grommet.

B RELEASE INNER PART
 Rotate plug counter-clockwise to release the inner part.

C ADJUSTING HEIGHT
 The inner part should now be loose. Adjust to desired level - see box: ADJUST LEVELS

Note! Pay attention to the locking geometry as it will help with adjusting the inner part to the desired level.

- 1 **USB Charger QC2.0 (Type-A)**
- 1 **GST18i3**
 Cable length according to order (max 1.2 m)
- 1 **USB Port (Type-C Female)**
 /w 1000 mm cable
- 2 **feed-throughs**
 (Ø7, Ø9.5 mm)

! ADJUST LEVELS
 Level 2 must be used when combined with the decorative accessories.

LEVEL 1
 0 mm / Flat

LEVEL 2
 -6 mm / Sunk

68

74

D LOCKING POSITION
 Rotate clockwise.

E LOCKING POSITION
 Rotate clockwise.