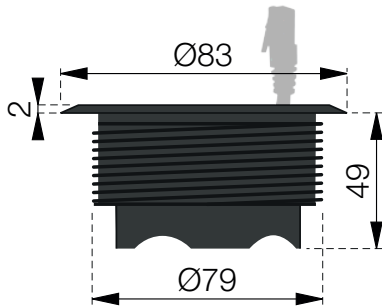




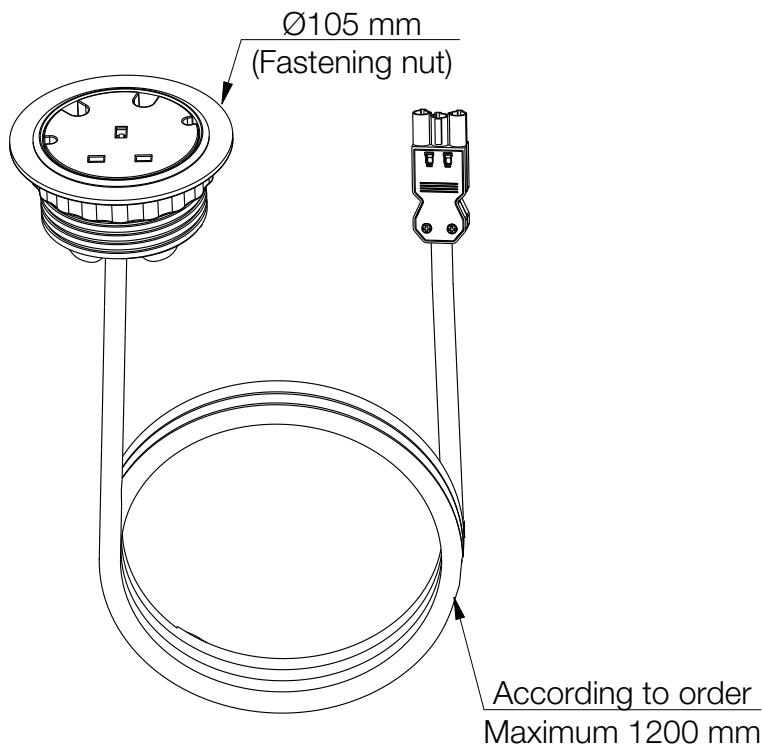
■ 935-PD20

**Powerdot - 1 GST18i3, UK version
4 Feed-throughs (2x Ø7 & 2x Ø9.5)**

Front view (Grommet)



Oriented view (Grommet, nut & cable)



Maximum table thickness: 30 mm
Recommended hole cut: Ø79 mm