



ARCHER

W3 - W8





The Archer family by Sagitter is growing and, starting from today, it can also count on two new latest generation motorized wash/beam projectors.

The new models are: **Archer W3**, the smaller, versatile, compact and powerful, suitable for any kind of entertainment or installation; **Archer W8**, the largest, designed for medium and large events where performance and light coverage are important and required factors.

Both models share numerous features, in order to guarantee the user homogeneity in the control and chromatic rendering of the show.

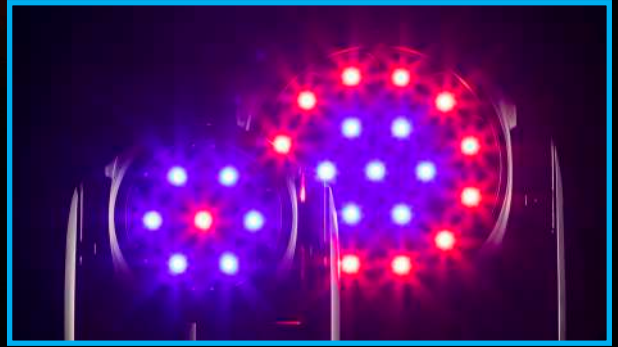
The choice for the light source of both models fell on Osram, a recently built LED that is part of the Ostar stage series by the famous German manufacturer, dedicated to the world of entertainment.

The optical system has been designed to guide and contain the powerful light beam generated by the LED sources as much as possible, while the high density and definition of the front lenses offer a sharp and concentrated beam, making the projector close to the visual performance of the most common beam moving heads with discharge source.

Both projectors offer extreme accuracy in the control of the light sources and the colors generated, the numerous advanced functions such as the simulation of the CMY system and dynamic white, the single pixel control with dedicated patterns and ready-to-use effects without having to recall complex and bulky DMX working methods, make the projectors close to the requests of the most demanding users.

ADVANCED PIXEL TO PIXEL CONTROL

Controlling LED sources has increasingly become a necessary factor in today's show programming. Both models are equipped with a powerful CPU capable to quickly manage the calculations necessary for the most complex combinations of effects chosen by the user. Thanks to the computing power of the processor, numerous pre-set patterns can be managed by simultaneously controlling the background and foreground colours, speed, strobe, pulse effect in the random or synchronized version, thus drastically reducing the user's programming time.



LED SOURCES

The LED source chosen by Osram is a 40W 4in1 RGBW, conceived using the new SMT technology. Thanks to its mechanical characteristics, this light source allows to create projectors with great efficiency while keeping the overall dimensions small, offering greater ease in replacing the source, longer life and dissipation of the heat generated.



OPTIC SYSTEM

The optical system is made up of plano-convex lenses with a honeycomb texture without gaps, which guarantees homogeneity of the light beam in both zoom in and zoom out modes. The special treatment employed in the production of the lenses used increases the transparency and transmissibility of the luminous flux, thus offering greater sharpness and control capacity.



CONTROL AND FUNCTIONS

Both projectors share the same software and functions, such as the 4 dimmer curves, the versatile "thungsten" and "CMY" channel lists, plus/minus green control, variable source refresh rate and a silent cooling system: advanced functions conceived specially for broadcast and theatre. Thanks to an extreme zoom, single pixel control, the rapidity of movements and the precision of the led sources, ARCHER W3 and W8 are the perfect choice for the most demanding lighting designers.



CONNECTIONS

The new software layout allows the user to easily intervene in the machine settings even when the projectors are inside their flightcases: thanks to a dedicated battery, the display can be accessed even when the machine is off. Both projectors are equipped with a USB socket, designed to facilitate software updating and to use the Wecon series DMX wireless USB receiver. With a simple "gesture" the projector becomes controllable via wireless.



SG ARCHERW3 - PRODUCT CODE

Light Source

7x40W Osram Ostar™ led RGBW Full Color

CRI ≥ 83 Ra

LED refresh frequency: adjustable from 900 Hz to 25 KHz.

Optic System

Projection angle: zoom from 6 ° to 55 °

Brightness: 18000 Lux@5m (full ON - 6°) / 505lux@5m (full ON - 55°)

Lens type: honeycomb gapless plano-convex optics

Color System

LED source RGBW Full color

Infinite chromatic possibilities

Calibrated led sources

Effects

Electronic dimmer 0-100%

Motorized zoom

Electronic strobo, pulse, random, single pixel

Single Pixel control

Pre-programmed dynamic and static patterns with programmable fades

Virtual colour wheels: foreground, background with programmable fades

CCT: CCT control, + / - green correction

Control and Programming

5 DMX configurations available: 15/16/24/25/51 channels

Control signal USITT DMX512

Optional wireless DMX receiver (order code SG WECONUSB)

8/16bit Pan & Tilt resolution

Master/Slave mode

Reset function via DMX

3 Custom Program modes with 5 scenes

Virtual color wheel with 62 color

White presets with 10 macros

Virtual linear color wheel from 2.700 K to 10.000K

Customizable color calibration system

4 Dimmer curves: Linear, Square, I-Square, S-Curve

5 Dimmer modes: Standard, Stage, TV, Architectural, Theatre

Flightcase mode to protect the zoom

Structure and Cabinet

Aluminum internal structure with hi-resistance ABS cover

High resolution LCD colour display with touch buttons

Pan angle: 540°/630°

Tilt angle: 270°

Mounting points: 1 pairs of 1/4-turn locks omega older

Automatic repositioning of Pan & Tilt

XLR 3-5 poles DMX IN/OUT connection

USB port for software update and wireless DMX receiver

IP rating: 20

Low-noise controlled cooling system

Backup battery for user menu access without connecting to the main power

Power Supply

Input Voltage: AC~100-240V, 50/60 Hz

Output Voltage: AC~100-240V, 50/60 Hz - Max 9A

Switching power supply unit

Max power: 340W @ 230VAC

Power connections: Seetronic X Series IP65 IN/OUT

Weight and Dimensions

Net weight: 7,5 kg

Dimensions (L x A x P): mm. 296x351x180

W3



SG ARCHERW8KIT - PRODUCT CODE (2x SG ARCHERW8 + 1x SG CASEARCHERW8)

W8

Light Source

19x40W Osram Ostar™ led RGBW Full Color
CRI ≥ 83 Ra
LED refresh frequency: adjustable from 900 Hz to 25 KHz.

Optic System

Projection angle: zoom from 5° to 50°
Brightness: 52400 Lux@5m (full ON - 5°) / 1900lux@5m (full ON - 50°)
Lens type: honeycomb gapless plano-convex optics

Color System

LED source RGBW Full color
Infinite chromatic possibilities
Calibrated led sources

Effects

Electronic dimmer 0-100%
Motorized zoom
Electronic strobo, pulse, random, single pixel
Single Pixel control
Pre-programmed dynamic and static patterns with programmable fades
Virtual colour wheels: foreground, background with programmable fades
CCT control: + / - green correction

Control and Programming

7 DMX configurations available: 15/16/24/25/38/58/99 channels
Control signal USITT DMX512, Art-Net, SACN, Kling-Net
Optional wireless DMX receiver (order code SG WECONUSB)
8/16bit Pan & Tilt resolution
Master/Slave mode
Reset function via DMX
3 Custom Program modes with 5 scenes
Virtual Colour Wheel with 62 color
White Presets with 10 macros
Virtual linear color wheel from 2.700 K to 10.000K
Customizable color calibration system
4 Dimmer curves: Linear, Square, I-Square, S-Curve
5 Dimmer mode: Standard, Stage, TV, Architectural, Theatre
Flight Case mode to protect the zoom

Structure and Cabinet

Aluminum internal structure with hi-resistance ABS cover
High resolution LCD colour display with touch buttons
Pan angle: 540°/630°
Tilt angle: 270°
Mounting points: 2 pairs of 1/4-turn locks omega older
Automatic repositioning of Pan & Tilt
Pan&Tilt movement lock system
XLR 3 poles DMX IN/OUT connection
RJ45 EtherCON data connectors IN/OUT
USB port for software update and wireless DMX receiver
IP rating: 20
Low-noise controlled cooling system
Backup battery for user menu access without connecting to the main power

Power Supply

Input Voltage: AC~100-240V, 50/60 Hz
Output Voltage: AC~100-240V, 50/60 Hz - Max 5A
Switching power supply unit
Max power: 935W @ 230VAC
Power connections: Seetronic X Series IP65 IN/OUT

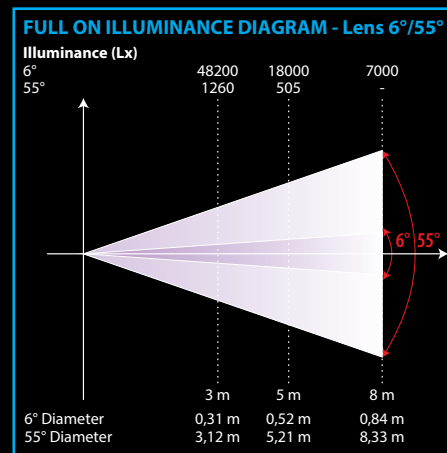
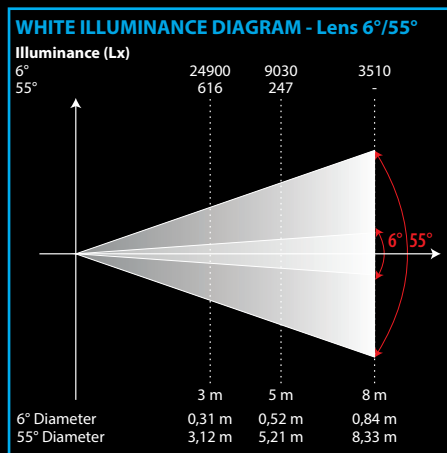
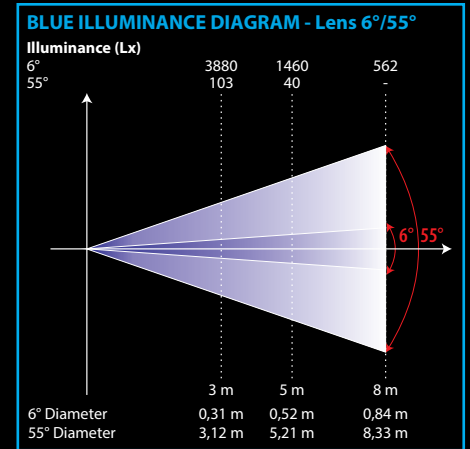
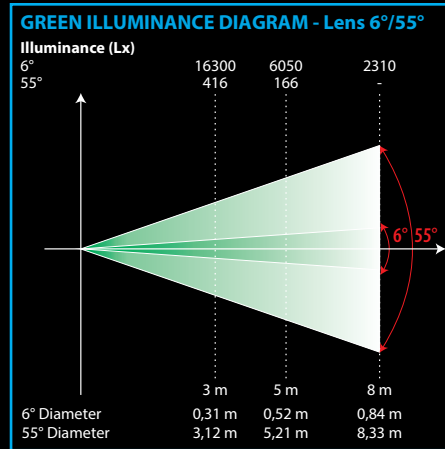
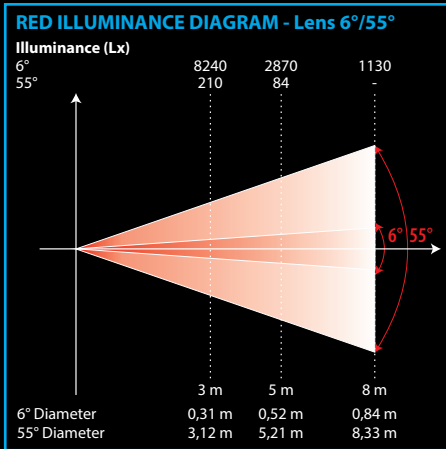
Weight and Dimensions

Net weight: 19 kg
Dimensions (L x A x P): mm. 388x469x260



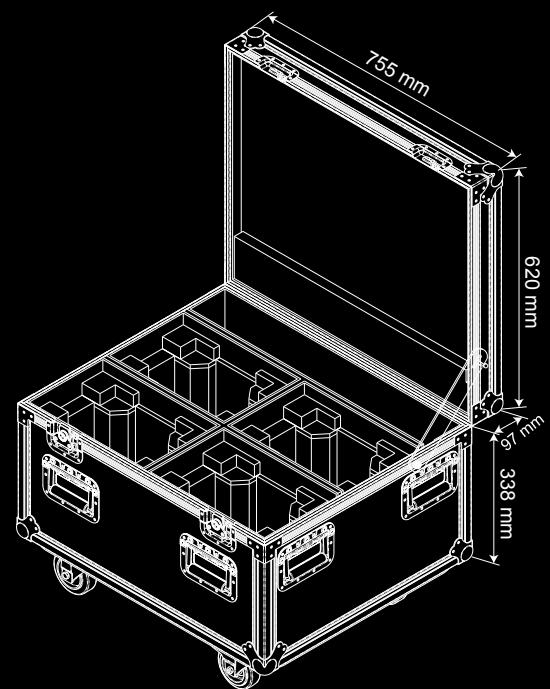
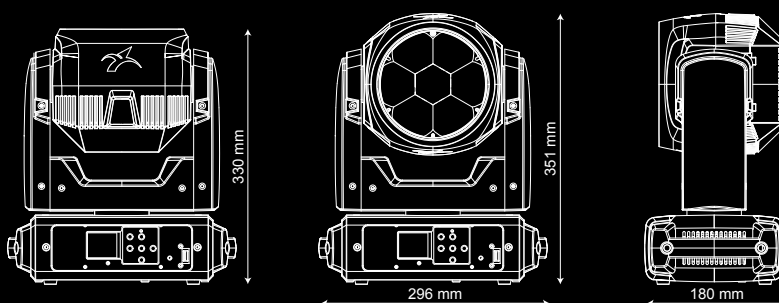
PHOTOMETRIC DIAGRAMS

W3



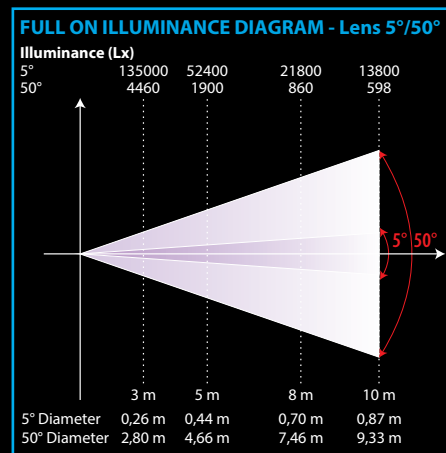
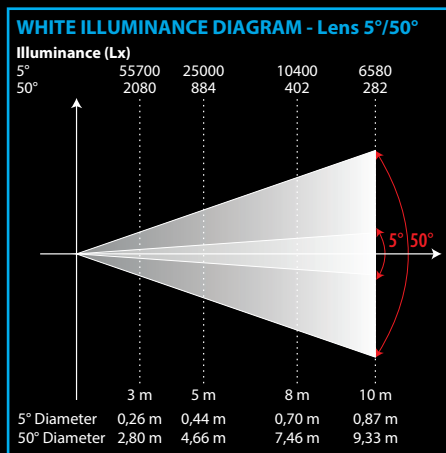
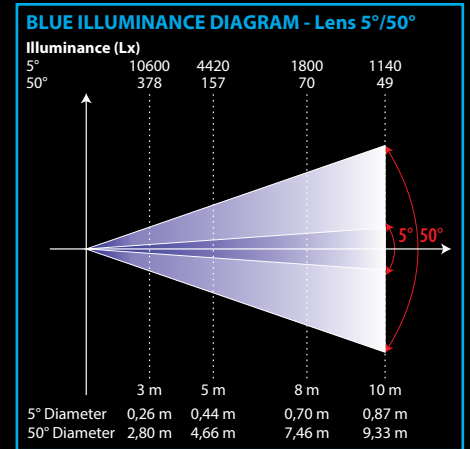
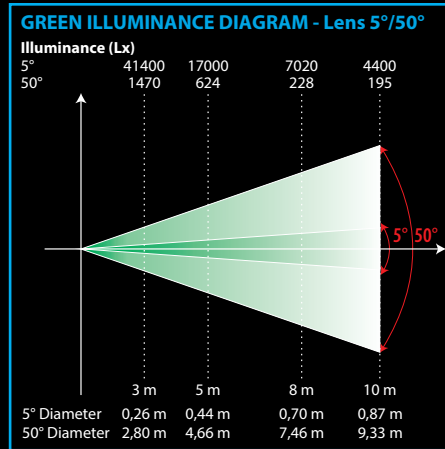
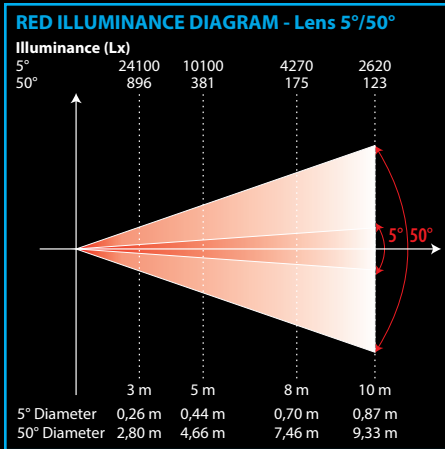
FLIGHTCASE

Flightcase made of 9 mm black plywood.
It can contain up to 4 Archer W3 projectors.
For the correct positioning of the projector inside the case, a special software function has been developed which allows the zoom system to be set in the most correct and safe way during transport.
Dimensioni: 755x620x347 mm



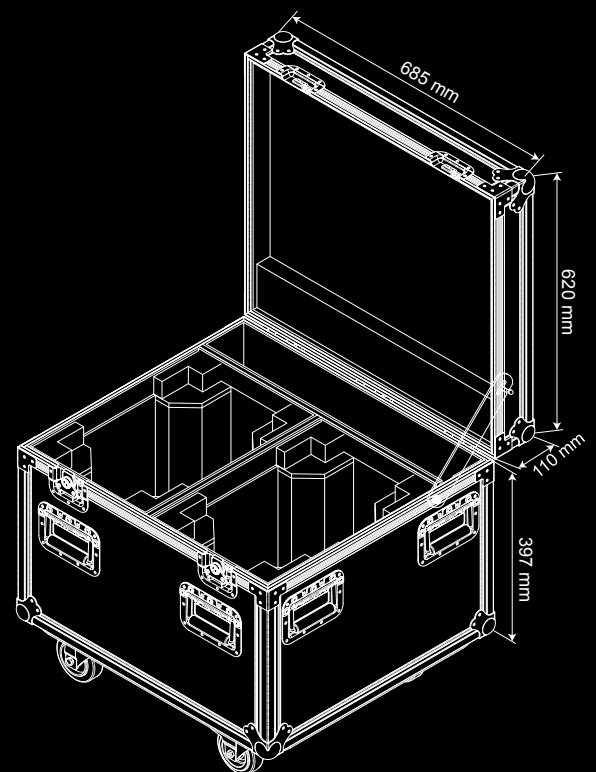
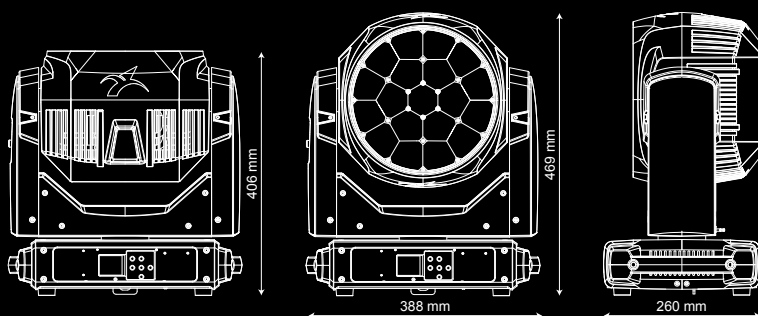
PHOTOMETRIC DIAGRAMS

W8



FLIGHTCASE

Flightcase made of 9 mm black plywood.
 It can contain up to 2 Archer W8 projectors.
 For the correct positioning of the projector inside the case, a special software function has been developed which allows the zoom system to be set in the most correct and safe way during transport.
Dimensioni: 685x620x507 mm





is a brand of PROEL SPA
(Worldwide Headquarters)
Via alla Ruenia, 37/43
64027 Sant'Omero (TE) - ITALY
Tel. +39 0861 81241
Fax +39 0861 887862
P.I. 00778590679
N.Reg.AEE IT 0802000002762

sagitter.com

SG W3W8BROC23E