



LIGHTING



# INDEX

<b>4</b>	Moving Heads
<b>10</b>	Architectural Projectors
<b>15</b>	Outdoor Fixtures
<b>20</b>	Battery Projectors
<b>23</b>	Theater and Studio Projectors
<b>32</b>	Stage Projectors
<b>34</b>	Controllers and Distribution
<b>37</b>	Ambient Effects
<b>41</b>	Fluids
<b>42</b>	Lamps
<b>44</b>	DMX Cables
<b>45</b>	Cables
<b>46</b>	Cable Protectors
<b>47</b>	Clamps and Safety Ropes
<b>48</b>	Flightcases
<b>48</b>	Accessories



# MOVING HEADS



# MOVING HEADS

## ARCHER B10



### SG ARCHERB10 - PRODUCT CODE

**SG ARCHERB10KIT** - KIT (2x SG ARCHERB10 + 1x SG CASEARCHERB10)

**SG CASEARCHERB** - CASE (2x SG ARCHERB10)

### SORGENTE LUMINOSA

- Metal Halide Lamp Osram SIRIUS HRI 281W
- Color temperature: 7800K

### OPTICS

- Projection angle zoom from 2,5 °
- Electronic focus
- Brightness: 39120 LUX@20m

### COLOR SYSTEM

- Color wheel 11 dichroic filters + white (CTO – CTB)

### EFFECTS

- Fixed gobo wheel with 16 static gobos (14 gobos + 2 beam reducers)
- Gobo scroll effects at variable speed
- Circular prism 8 facet with bidirectional rotation and indexable
- Linear prism 5 facet with bidirectional rotation and indexable
- Frost filter
- Linear dimmer from 0 to 100
- High speed strobe effect
- Random strobo effect

### CONTROL AND PROGRAMMING

- 3 DMX configurations available: 15/16/18 channels
- Control signal USITT DMX512
- Wireless DMX by Wireless Solution ready (kit not included)
- Selectable 8/16bit Pan & Tilt resolution
- Function reset controlled by DMX control

### STRUCTURE AND CABINET

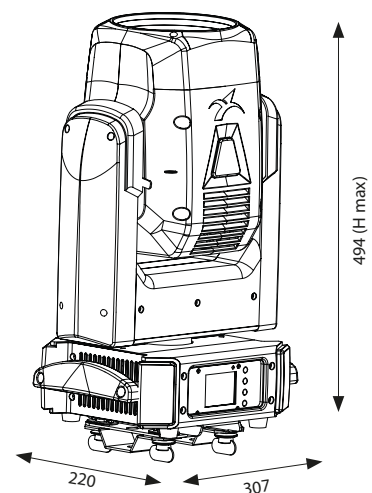
- Metal internal structure with hi-resistance ABS cover
- High resolution LCD colour display
- Pan & Tilt three-phase motion motors
- Pan angle 540°
- Tilt angle 270°
- Mounting points 1 pairs of 1/4-turn locks omega older
- Automatic repositioning of Pan and Tilt
- Pan&Tilt movement lock system
- XLR 3-poles DMX IN/OUT connection
- IP rating 20
- Controlled cooling system

### POWER SUPPLY

- Input Voltage: AC~100-240V 50/60Hz
- Switching power supply unit
- Max power: 330W @ 230VAC
- Power connection with TRUE ONE IN/OUT connectors

### WEIGHT AND DIMENSIONS

- Net weight: 15 kg
- Dimensions: 307x494x220 (mm)



# MOVING HEADS

## ARCHER B2



### SG ARCHERB2 - PRODUCT CODE

**SG ARCHERB2KIT** - CASE (4x SG ARCHERB2 + 1x SG CASEARCHERB1)

**SG CASEARCHERB1** - CASE (4x SG ARCHERB1)

### LIGHT SOURCE

- Metal Halide Lamp Osram SIRIUS HRI 132W
- Color temperature: 9200K

### OPTICS

- Projection angle zoom from 2,5°
- Electronic focus
- Brightness: 40.000 LUX@10m

### COLOR SYSTEM

- Color wheel 12 dichroic filters + white (CTO – CTB)

### EFFECTS

- Fixed gobo wheel with 13 static gobos (9 gobos + 4 beam reducers)
- Gobo scroll effects at variable speed
- Circular prism 8 facet with bidirectional rotation and indexable
- Linear prism 5 facet with bidirectional rotation and indexable
- Frost filter
- Linear dimmer from 0 to 100
- High speed strobe effect
- Random strobo effect

### CONTROL AND PROGRAMMING

- 2 DMX configurations available: 14/16 channels
- Control signal USITT DMX512
- Wireless DMX by Wireless Solution ready (kit not included)
- Selectable 8/16bit Pan & Tilt resolution
- Function reset controlled by DMX control

### STRUCTURE AND CABINET

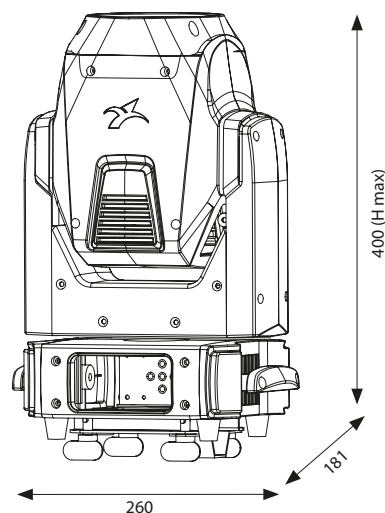
- Metal internal structure with hi-resistance ABS cover
- High resolution LCD colour display
- Pan angle 540°
- Tilt angle 270°
- Mounting points 1 pairs of 1/4-turn locks omega older
- Automatic repositioning of Pan and Tilt
- Pan&Tilt movement lock system
- XLR 3-poles DMX IN/OUT connection
- IP rating 20
- Controlled cooling system

### POWER SUPPLY

- Input Voltage: AC~100-240V 50/60Hz
- Switching power supply unit
- Max power: 160W @ 230VAC
- Power connection with PowerCon IN/OUT connectors

### WEIGHT AND DIMENSIONS

- Net weight: 9 kg
- Dimensions: 260x400x181 (mm)





# MOVING HEADS

## ARCHER S7



### SG ARCHERS7 - PRODUCT CODE

**SG ARCHERS7KIT KIT** - (2x SG ARCHERS7 + 1x SG CASEARCHERS7)

**SG CASEARCHERS7** - CASE (2x SG ARCHERS7)

### LIGHT SOURCE

- 1x380W high brightness white led
- Color temperature: 6500K
- Led frequency adjustable up to 25.000 Hz

### OPTICS

- Projection angle zoom from 7 ° to 43 °
- Electronic focus
- Brightness: 44600 LUX@5m (7° Min Zoom) - 1800 LUX@5m (43°Max Zoom)

### COLOR SYSTEM

- CMY linear color mixing system
- CTO linear correction 6500-2700K
- Color wheel 7 dichroic filters + white

### EFFECTS

- Fixed gobo wheel with 8 static and interchangeable gobos
- Rotating gobos wheel with 7 rotating gobos, interchangeable and indexable
- Gobo scroll effects at variable speed
- Animation wheel with continuous and bidirectional rotation
- Circular prism 3 facet with bidirectional rotation and indexable
- Linear prism 5 facet with bidirectional rotation and indexable
- Motorized iris
- Linear frost filter
- Linear dimmer from 0 to 100
- Electronic shutter up to 25 Hz
- Random strobo effect and pulse dimmer with variable speed

### CONTROL AND PROGRAMMING

- 3 DMX configurations available: 24/29/34 channels
- Control signal USITT DMX512, Art-Net
- Transceiver wireless DMX by Wireless Solution (integrated)
- Selectable 8/16bit Pan & Tilt resolution
- Selectable Master/Slave mode
- Function reset controlled by DMX control
- USB interface for software update

### STRUCTURE AND CABINET

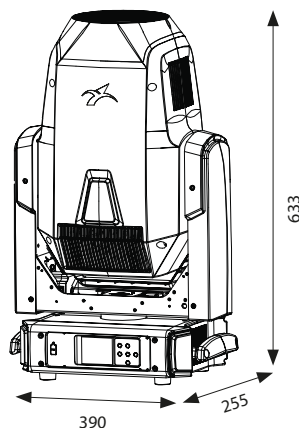
- Aluminum internal structure with hi-resistance ABS cover
- High resolution LCD colour display
- Pan & Tilt three-phase motion motors
- Pan angle 540°/630° selectable
- Tilt angle 270°
- Mounting points 1 pairs of 1/4-turn locks omega older
- Automatic repositioning of Pan and Tilt
- Pan&Tilt movement lock system
- XLR 3-poles DMX IN/OUT connection
- RJ45 EtherCON data connectors IN/OUT
- IP rating 20
- Low-noise controlled cooling system
- Backup battery for user menu access without connecting to the main power

### POWER SUPPLY

- Input Voltage: AC~100-240V 50/60Hz
- Switching power supply unit
- Max power: 497W @ 230VAC
- Power connection with TRUE ONE IN/OUT connectors

### WEIGHT AND DIMENSIONS

- Net weight: 25 kg
- Dimensions: 390x633x255 (mm)



# MOVING HEADS

## ARCHER W8



### SG ARCHERW8 - PRODUCT CODE

#### SG ARCHERW8KIT - KIT (2X SG ARCHERW8 +CASE)

#### LIGHT SOURCE

- 19x40W Osram Ostar™ led RGBW Full Color
- CRI ≥ 83 Ra
- LED refresh frequency: adjustable from 900 Hz to 25 KHz.

#### OPTIC SYSTEM

- Projection angle: zoom from 5° to 50°
- Brightness: 52400 Lux@5m (full ON - 5°) / 1900lux@5m (full ON - 50°)
- Lens type: honeycomb gapless plano-convex optics

#### COLOR SYSTEM

- LED source RGBW Full color
- Infinite chromatic possibilities
- Calibrated led sources

#### EFFECTS

- Electronic dimmer 0-100%
- Motorized zoom
- Electronic strobo, pulse, random, single pixel
- Single Pixel control
- Pre-programmed dynamic and static patterns with programmable fades
- Virtual colour wheels: foreground, background with programmable fades
- CCT control: + / - green correction

#### CONTROL AND PROGRAMMING

- 7 DMX configurations available: 15/16/24/25/38/58/99 channels
- Control signal USITT DMX512, Art-Net, SACN, Kling-Net
- Optional wireless DMX receiver (order code SG WECONUSB)
- 8/16bit Pan & Tilt resolution
- Master/Slave mode
- Reset function via DMX
- 3 Custom Program modes with 5 scenes
- Virtual Colour Wheel with 62 color
- White Presets with 10 macros
- Virtual linear color wheel from 2.700 K to 10.000K
- Customizable color calibration system
- 4 Dimmer curves: Linear, Square, I-Square, S-Curve
- 5 Dimmer mode: Standard, Stage, TV, Architectural, Theatre
- Flight Case mode to protect the zoom

#### STRUCTURE AND CABINET

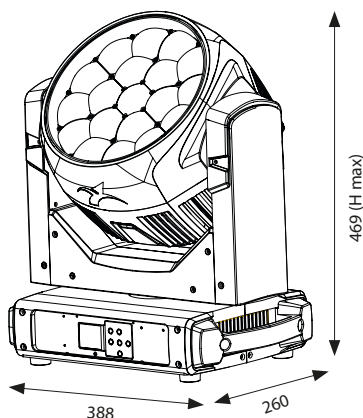
- Aluminum internal structure with hi-resistance ABS cover
- High resolution LCD colour display with touch buttons
- Pan angle: 540°/630°
- Tilt angle: 270°
- Mounting points: 2 pairs of 1/4-turn locks omega older
- Automatic repositioning of Pan & Tilt
- Pan&Tilt movement lock system
- XLR 3 poles DMX IN/OUT connection
- RJ45 EtherCON data connectors IN/OUT
- USB port for software update and wireless DMX receiver
- IP rating: 20
- Low-noise controlled cooling system
- Backup battery for user menu access without connecting to the main power

#### POWER SUPPLY

- Input Voltage: AC~100-240V, 50/60 Hz
- Output Voltage: AC~100-240V, 50/60 Hz - Max 5A
- Switching power supply unit
- Max power: 935W @ 230VAC
- Power connections: Seetronic X Series IP65 IN/OUT

#### WEIGHT AND DIMENSIONS

- Net weight: 19 kg
- Dimensions (L x A x P): mm. 388x469x260







# MOVING HEADS

## ARCHER W3



### SG ARCHERW3 - PRODUCT CODE

**SG CASEARCHERW3 - CASE (4X SG ARCHERW3)**

#### LIGHT SOURCE

- 7x40W Osram Ostar™ led RGBW Full Color
- CRI ≥ 83 Ra
- LED refresh frequency: adjustable from 900 Hz to 25 KHz.

#### OPTIC SYSTEM

- Projection angle: zoom from 6 ° to 55 °
- Brightness: 18000 Lux@5m (full ON - 6°) / 505lux@5m (full ON - 55°)
- Lens type: honeycomb gapless plano-convex optics

#### COLOR SYSTEM

- LED source RGBW Full color
- Infinite chromatic possibilities
- Calibrated led sources

#### EFFECTS

- Electronic dimmer 0-100%
- Motorized zoom
- Electronic strobo, pulse, random, single pixel
- Single Pixel control
- Pre-programmed dynamic and static patterns with programmable fades
- Virtual colour wheels: foreground, background with programmable fades
- CCT: CCT control, + / - green correction

#### CONTROL AND PROGRAMMING

- 5 DMX configurations available: 15/16/24/25/51 channels
- Control signal USITT DMX512
- Optional wireless DMX receiver (order code SG WECONUSB)
- 8/16bit Pan & Tilt resolution
- Master/Slave mode
- Reset function via DMX
- 3 Custom Program modes with 5 scenes
- Virtual color wheel with 62 color
- White presets with 10 macros
- Virtual linear color wheel from 2.700 K to 10.000K
- Customizable color calibration system
- 4 Dimmer curves: Linear, Square, I-Square, S-Curve
- 5 Dimmer modes: Standard, Stage, TV, Architectural, Theatre
- Flightcase mode to protect the zoom

#### STRUCTURE AND CABINET

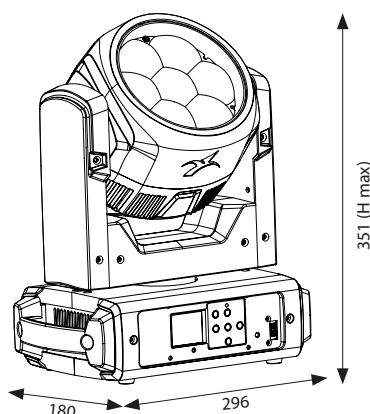
- Aluminum internal structure with hi-resistance ABS cover
- High resolution LCD colour display with touch buttons
- Pan angle: 540°/630°
- Tilt angle: 270°
- Mounting points: 1 pairs of 1/4-turn locks omega older
- Automatic repositioning of Pan & Tilt
- XLR 3-5 poles DMX IN/OUT connection
- USB port for software update and wireless DMX receiver
- IP rating: 20
- Low-noise controlled cooling system
- Backup battery for user menu access without connecting to the main power

#### POWER SUPPLY

- Input Voltage: AC~100-240V, 50/60 Hz
- Output Voltage: AC~100-240V, 50/60 Hz - Max 9A
- Switching power supply unit
- Max power: 340W @ 230VAC
- Power connections: Seetronic X Series IP65 IN/OUT

#### WEIGHT AND DIMENSIONS

- Net weight: 7,5 kg
- Dimensions (L x A x P): mm. 296x351x180





# ARCHITECTURAL PROJECTORS

# ARCHITECTURAL PROJECTORS

## IP LED 24C



### SG IPLED24C - PRODUCT CODE

#### LIGHT SOURCE

- 24x8W led RGBW Full Color
- LED lifespan: > 50.000h
- LED refresh frequency: > 400Hz flicker-free

#### OPTIC SYSTEM

- Beam Angle: 25°

#### COLOR SYSTEM

- LED source RGBW Full color
- Infinite chromatic possibilities

#### EFFECTS

- Linear dimmer 0-100%
- Adjustable strobe effect
- Color macros selectable via DMX

#### CONTROL AND PROGRAMMING

- 3 DMX configurations available: 3/6/7 channels
- Key lock password for display lock
- USITT DMX 512 protocol
- Master/Slave mode
- Auto mode
- Remote controller included

#### STRUCTURE AND CABINET

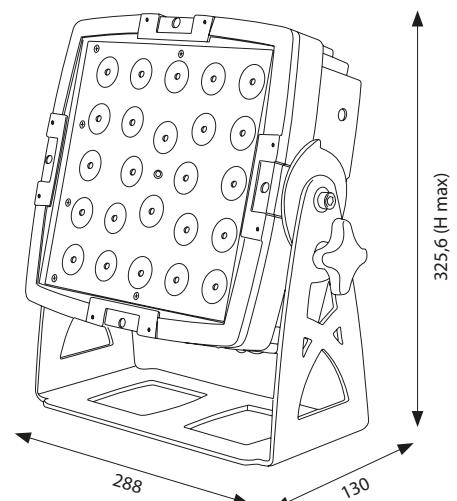
- Die cast aluminium housing
- Blue LCD graphic display
- Front tempered glass
- "Light up" positioning with adjustable angle
- IP rating: IP65
- IP65 DMX In/Out connectors
- Convection cooling system without fans

#### POWER SUPPLY

- Input Voltage: AC~100-240V, 50/60 Hz
- Switching power supply unit
- Max power: 200W @ 230VAC
- IP65 In/Out power connection

#### WEIGHT AND DIMENSIONS

- Net weight: 8,4 kg
- Dimensions: 288x130x325,6 mm



# ARCHITECTURAL PROJECTORS

## IP LED 9C



### SG IPLED9C - PRODUCT CODE

#### LIGHT SOURCE

- 9x8W led RGBW Full Color
- LED lifespan: > 50.000h
- LED refresh frequency: > 400Hz flicker-free

#### OPTIC SYSTEM

- Beam Angle: 25°

#### COLOR SYSTEM

- LED source RGBW Full color
- Infinite chromatic possibilities

#### EFFECTS

- Linear dimmer 0-100%
- Adjustable strobe effect
- Color macros selectable via DMX

#### CONTROL AND PROGRAMMING

- 3 DMX configurations available: 3/6/7 channels
- Key lock password for display lock
- USITT DMX 512 protocol
- Master/Slave mode
- Auto mode
- Remote controller included

#### STRUCTURE AND CABINET

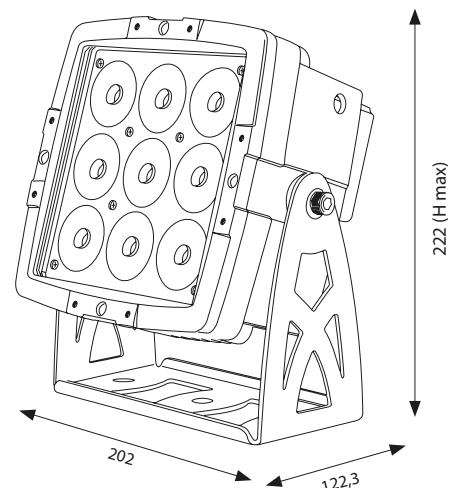
- Die cast aluminium housing
- Blue LCD graphic display
- Front tempered glass
- "Light up" positioning with adjustable angle
- IP rating: IP65
- IP65 DMX In/Out connectors
- Convection cooling system without fans

#### POWER SUPPLY

- Input Voltage: AC~100-240V, 50/60 Hz
- Switching power supply unit
- Max power: 80W @ 230VAC
- IP65 In/Out power connection

#### WEIGHT AND DIMENSIONS

- Net weight: 3,8 kg
- Dimensions: 202x122,3x222 mm





# ARCHITECTURAL PROJECTORS

## IP LED BAR 24C



### SG IPLEDBAR24C - PRODUCT CODE

#### LIGHT SOURCE

- 24x8W led RGBW Full Color
- LED lifespan: > 50.000h
- LED refresh frequency: > 400Hz flicker-free

#### OPTIC SYSTEM

- Beam Angle: 15°
- Luminous flux: 1221 lux @3mt

#### COLOR SYSTEM

- LED source RGBW Full color
- Infinite chromatic possibilities

#### EFFECTS

- Linear dimmer 0-100%
- Adjustable strobe effect
- Color macros selectable via DMX
- 4 sector control system

#### CONTROL AND PROGRAMMING

- 7 DMX configurations available: 3/4/7/8/10/16/20 channels
- USITT DMX 512 protocol
- Master / Slave mode
- Static color mode
- Automatic mode with 5 different programs selectable from the display
- Effect mode with 8 different programs selectable from the display
- Color mode with 6 different programs selectable from the display
- 4 dimmer curve

#### STRUCTURE AND CABINET

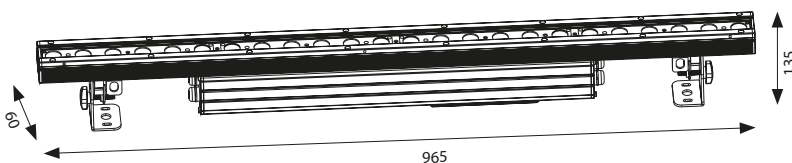
- Die cast aluminium housing
- OLED display
- Soft touch buttons
- Front tempered glass
- Antiglare blade (included)
- "Light up" positioning with adjustable angle
- IP rating: IP65
- IP65 DMX In/Out connectors
- Convection cooling system without fans

#### POWER SUPPLY

- Input Voltage: AC~100-240V, 50/60 Hz
- Switching power supply unit
- Max power: 192W @ 230VAC
- IP65 In/Out power connection

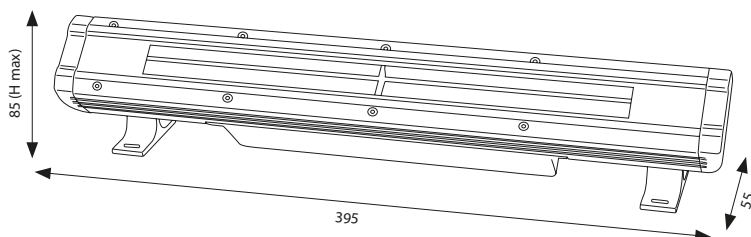
#### WEIGHT AND DIMENSIONS

- Net weight: 5,6 kg
- Dimensions: 965x60x135 mm



# ARCHITECTURAL PROJECTORS

## IP LED MICRO BAR 54C



### SG IPLEDMCBAR54C - PRODUCT CODE

#### LIGHT SOURCE

- 54x3W led RGB
- LED lifespan: > 50.000h
- LED refresh frequency: > 400Hz flicker-free

#### OPTIC SYSTEM

- Beam Angle: 60x10°

#### COLOR SYSTEM

- LED source RGB
- Infinite chromatic possibilities

#### EFFECTS

- Linear dimmer 0-100%
- Adjustable strobe effect
- Color macros selectable via DMX

#### CONTROL AND PROGRAMMING

- 5 DMX configurations available: 1/3/4/7/10 channels
- USITT DMX 512 protocol
- Master/Slave mode
- Auto mode with 10 different programs selectable from the display with speed adjustment
- Static color mode with strobe adjustment
- Color mode with 55 pre-programmed color macros

#### STRUCTURE AND CABINET

- Die cast aluminium housing, black color
- Color LCD display
- Front tempered glass
- "Light up" positioning with adjustable angle
- IP rating: IP65
- IP65 Power and DMX In/Out connector
- Convection cooling system without fans

#### POWER SUPPLY

- Input Voltage: AC~100-240V, 50/60 Hz
- Switching power supply unit
- IP65 Power and DMX In/Out connector

#### WEIGHT AND DIMENSIONS

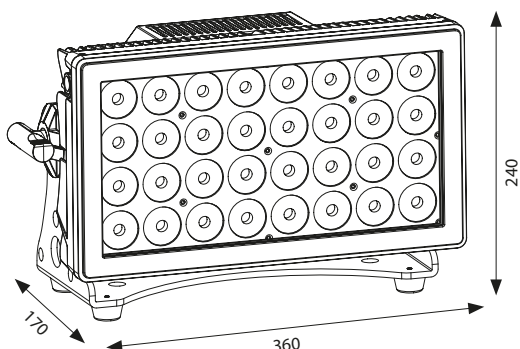
- Net weight: 1,9 kg (bar)
- Dimensions: 395x55x85 mm (bar)

# OUTDOOR FIXTURES



# OUTDOOR FIXTURES

## IP LED 32C DL



**SG IPLED32CDLWD** - PRODUCT CODE  
**SG CASEIPLED32C** – CASE (4X SG IPLED32CDLWD)  
**SG IPLED32CBN** – BARNDOOR

### LIGHT SOURCE

- 32x12W led RGBWA-UV Full Color
- LED lifespan: > 50.000h
- LED refresh frequency: > 400Hz flicker-free

### OPTIC SYSTEM

- Beam Angle: 25°
- Luminous flux: 2500lux @ 5m (full on)

### COLOR SYSTEM

- LED source RGBWA-UV Full color
- Infinite chromatic possibilities

### EFFECTS

- Linear dimmer 0-100%
- Adjustable strobe effect
- Color macros selectable via DMX
- 8 sectors control

### CONTROL AND PROGRAMMING

- 6 DMX configurations available: 6/10/11/16/48/96 channels
- Key lock password for display lock
- USITT DMX 512 protocol
- Built-in Wireless DMX by Wireless Solution
- Master/Slave mode
- Static color mode
- Auto mode with 4 different programs selectable from the display, with speed adjustment
- Color mode with 63 different pre-programmed color macros
- White balance control

### STRUCTURE AND CABINET

- Die cast aluminium housing, black color
- Blue LCD graphic display
- Soft touch buttons
- Front tempered glass
- "Light up" positioning with adjustable angle
- IP rating: IP65
- IP65 DMX 3-poles XLR In/Out connectors
- Low Noise controlled forced ventilation cooling system
- Frost filter included

### POWER SUPPLY

- Input Voltage: AC~100-240V, 50/60 Hz
- Switching power supply unit
- Max Power: 390W @ 230VAC
- IP65 True ONE In/Out connectors

### WEIGHT AND DIMENSIONS

- Net weight: 8,2 kg
- Dimensions: 360x170x240 mm





# OUTDOOR FIXTURES

## AQUPAR 12



**SG AQUPAR12** - PRODUCT CODE  
**SG CASEAQUPAR** - CASE (6x SG AQUPAR)  
**SG AQUPARBN** - BARNDOOR

### LIGHT SOURCE

- 12x12W RGBWA-UV led
- LED lifespan: >50.000h
- LED refresh frequency: >400Hz flicker free

### OPTIC SYSTEM

- Beam angle: 25°

### COLOR SYSTEM

- RGBWA-UV full color mixing
- Infinite chromatic possibilities and color temperature control

### EFFECTS

- Linear Dimmer 0-100%
- Electronic strobe: 1-20 flashes/s with adjustable speed
- Color macros selectable via DMX

### CONTROL AND PROGRAMMING

- 4 DMX configurations available: 3/6/8/13 channels
- Key lock password for display lock
- USITT DMX 512 protocol
- Master / Slave mode
- Automatic mode with 21 different programs selectable from the display with independent adjustment of the speed and strobe
- Color mode with independent adjustment of single color with 70 different selections
- 11 white balance selections
- 4 dimmer curves

### STRUCTURE AND CABINET

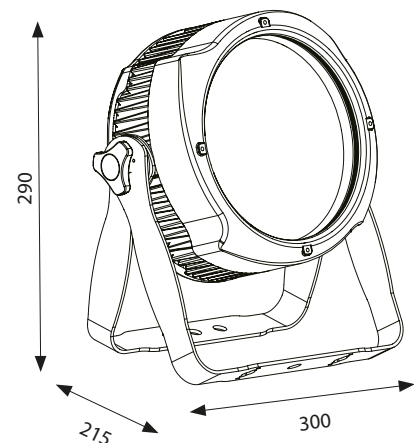
- Die cast aluminum housing, black color
- Color LCD display
- Front tempered glass
- Mounting points: double bracket for suspension or floor mount
- IP rating: IP65
- IP65 DMX 3-poles XLR In/Out connectors
- Convection cooling system without fans

### POWER SUPPLY

- Input Voltage: AC~100-240V, 50/60 Hz
- Switching power supply unit
- Max power: 145W @ 230VAC
- IP65 True ONE In/Out connectors

### WEIGHT AND DIMENSIONS

- Net weight: 4,8 kg
- Dimensions: 300x215x290 mm



# OUTDOOR FIXTURES

## AQUPAR 18



**SG AQUPAR18** - PRODUCT CODE  
**SG CASEAQUPAR** - CASE (6x SG AQUPAR)  
**SG AQUPARBN** - BARNDOOR

### LIGHT SOURCE

- 18x10W RGBW led
- LED lifespan: >50.000h
- LED refresh frequency: >400Hz flicker free

### OPTIC SYSTEM

- Beam angle: 25°

### COLOR SYSTEM

- RGBW full color mixing
- Infinite chromatic possibilities and color temperature control

### EFFECTS

- Linear Dimmer 0-100%
- Electronic strobe: 1-20 flashes/s with adjustable speed
- Color macros selectable via DMX

### CONTROL AND PROGRAMMING

- 4 DMX configurations available: 3/4/6/11 channels
- Key lock password for display lock
- USITT DMX 512 protocol
- Master / Slave mode
- Automatic mode with 21 different programs selectable from the display with independent adjustment of the speed and strobe
- Color mode with independent adjustment of single color with 70 different selections
- 11 white balance selections
- 4 dimmer curves

### STRUCTURE AND CABINET

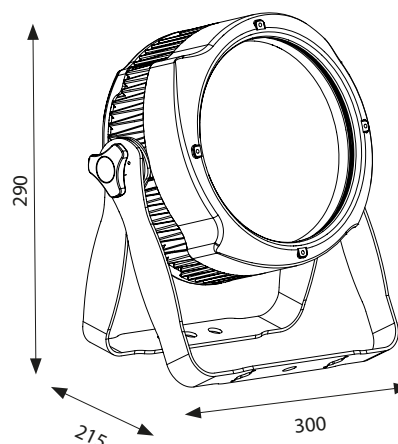
- Die cast aluminum housing, black color
- Color LCD display
- Front tempered glass
- Mounting points: double bracket for suspension or floor mount
- IP rating: IP65
- IP65 DMX 3-poles XLR In/Out connectors
- Convection cooling system without fans

### POWER SUPPLY

- Input Voltage: AC~100-240V, 50/60 Hz
- Switching power supply unit
- Max power: 185W @ 230VAC
- IP65 True ONE In/Out connectors

### WEIGHT AND DIMENSIONS

- Net weight: 4,8 kg
- Dimensions: 300x215x290 mm





# OUTDOOR FIXTURES

## AQUPAR 7



### SG AQUPAR7 - PRODUCT CODE

#### LIGHT SOURCE

- 7x12W RGBWA-UV led
- LED lifespan: >50.000h
- LED refresh frequency: >400Hz flicker free

#### OPTIC SYSTEM

- Beam angle: 25°

#### COLOR SYSTEM

- RGBWA-UV full color mixing
- Infinite chromatic possibilities and color temperature control

#### EFFECTS

- Linear Dimmer 0-100%
- Electronic strobe: 1-20 flashes/s with adjustable speed
- Color macros selectable via DMX

#### CONTROL AND PROGRAMMING

- 4 DMX configurations available: 3/6/8/13 channels
- Key lock password for display lock
- USITT DMX 512 protocol
- Master / Slave mode
- Automatic mode with 21 different programs selectable from the display with independent adjustment of the speed and strobe
- Color mode with independent adjustment of single color with 70 different selections
- 11 white balance selections
- 4 dimmer curves

#### STRUCTURE AND CABINET

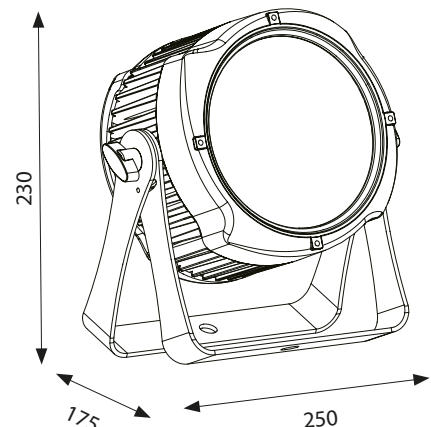
- Die cast aluminum housing, black color
- Color LCD display
- Front tempered glass
- Mounting points: double bracket for suspension or floor mount
- IP rating: IP65
- IP65 DMX 3-poles XLR In/Out connectors
- Convection cooling system without fans

#### POWER SUPPLY

- Input Voltage: AC~100-240V, 50/60 Hz
- Switching power supply unit
- Max power: 85W @ 230VAC
- IP65 True ONE In/Out connectors

#### WEIGHT AND DIMENSIONS

- Net weight: 3,2 kg
- Dimensions: 250x175x230 mm



# BATTERY PROJECTORS





# BATTERY PROJECTORS

## AURORA BW 300

**SG AURORABW300** - PRODUCT CODE  
**SG CASEAURORABW300** - CASE (4x SG AURORABW300)  
**SG AURORABW300BN** - BARNDOOR

### LIGHT SOURCE

- 24x10W led RGBW Full Color
- LED lifespan: > 50,000h
- LED refresh frequency: > 400Hz flicker-free

### OPTIC SYSTEM

- Beam Angle: 12/25°
- Luminous flux: 5500lux @ 5m (full on)

### COLOR SYSTEM

- LED source RGBW Full color
- Infinite chromatic possibilities

### EFFECTS

- Linear dimmer 0-100%
- Adjustable strobe effect
- Color macros selectable via DMX

### CONTROL AND PROGRAMMING

- 5 DMX configurations available: 2/3/5/8/11 channels
- Key lock password for display lock
- Protocol USITT DMX 512
- Built-in DMX wireless transceiver by Wireless Solution
- Master/Slave mode
- Static color mode
- Auto mode with 15 different programs selectable from the display, with speed adjustment
- Color mode with 50 color macros and 11 white macros
- Color calibration system
- Power management system
- 4 different dimming curves available

### STRUCTURE AND CABINET

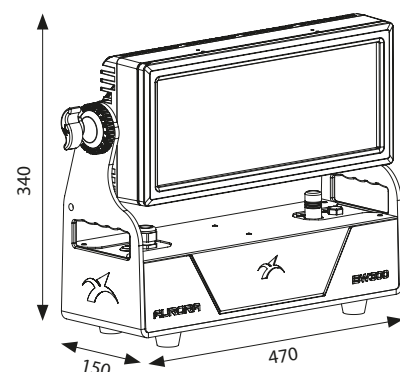
- High corrosion resistance 5052 die cast aluminum housing
- Color LCD display
- Front tempered glass
- "Light up" positioning with adjustable angle +/- 120°
- IP rating: IP65
- DMX 3-poles XLR IN/OUT IP65 connectors
- DMX IN/OUT IP65 PG cables (optional kit)
- Convection cooling system without fans
- Frost filter included: 40° - 60°x10°

### POWER SUPPLY

- Input Voltage: AC~100-240V, 50/60 Hz for standard use and battery recharge
- Switching power supply unit
- Rechargeable internal Li-Ion battery: 22,2VDC 16Ah
- Runtime battery: ~ 3 hrs (full ON - High power mode)
- Runtime battery: ~ 11 hrs (Color change - High power mode)
- Charging cycle: ~ 6 hrs (Projector turned off)
- Max power: 270W @ 230VAC
- Seetronic Powercon IN/OUT IP65 connectors
- IN/OUT IP65 PG cables (optional kit)

### WEIGHT AND DIMENSIONS

- Net weight: 13,7 kg
- Dimensions: 470x340x150 mm



# BATTERY PROJECTORS

## AQUPAR BAT



**SG AQUPARBAT** - PRODUCT CODE  
**SG CASEAQUBAT** - CASE (6x SG AQUPARBAT)

### LIGHT SOURCE

- 7x10W led RGBW Full Color
- LED lifespan: > 50.000h
- LED refresh frequency: > 400Hz flicker-free

### OPTIC SYSTEM

- Beam Angle: 10/22°
- Luminous flux: 1300lux @ 5m (full on)

### COLOR SYSTEM

- LED source RGBW Full color
- Infinite chromatic possibilities

### EFFECTS

- Linear dimmer 0-100%
- Adjustable strobe effect
- Color macros selectable via DMX

### CONTROL AND PROGRAMMING

- 5 DMX configurations available: 2/3/5/8/11 channels
- Key lock password for display lock
- rotocol USITT DMX 512
- Built-in wireless DMX transceiver
- Master/Slave mode
- Static Color mode
- Auto mode with 15 programs selectable from the display, with speed adjustment
- Color mode with 50 color macros and 11 white macros
- Color calibration system
- Power management system
- 4 different dimming curves available

### STRUCTURE AND CABINET

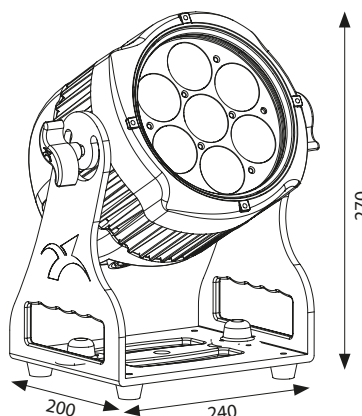
- High corrosion resistance 5052 die cast aluminum housing
- Color LCD display
- Front tempered glass
- "Light up" positioning with adjustable angle +/- 140°
- IP65 rating
- DMX 3-poles XLR IN/OUT IP65 connectors
- DMX IN/OUT IP65 PG cables (optional kit)
- Convection cooling system without fans
- Frost filter included: 40°- 60°x10°

### POWER SUPPLY

- Input Voltage: AC~100-240V, 50/60 Hz for standard use and battery recharge
- Switching power supply unit
- Rechargeable internal Li-Ion battery: 14,8VDC 12Ah
- Runtime battery: ~ 4 hrs (full ON - Boost power mode)
- Runtime battery: ~ 12 hrs (Color change - Boost power mode)
- Charging cycle: ~ 8 hrs (Projector turned off)
- Max power: 70W @ 230VAC
- Seetronic X Series IP65 Power Connectors IN/OUT
- IN/OUT IP65 PG cables (optional kit)

### WEIGHT AND DIMENSIONS

- Net weight: 4,8 kg
- Dimensions: 240x200x270 mm





# **THEATER AND STUDIO PROJECTORS**

# THEATER AND STUDIO PROJECTORS

## MINI SAGOLED 60



**SG SAGOLEDWWM** - PRODUCT CODE Warm White VERSION  
**SG SAGOLEDWCWM** - PRODUCT CODE Cold WHITE VERSION  
**SG CASESAGOLEDM** - CASE (4x SG SAGOLEDWWM)

### LIGHT SOURCE

- 1x60W Led Warm White 3200K
- LED lifespan: > 50.000h
- LED refresh frequency: > 400Hz flicker-free

### OPTIC SYSTEM

- Beam Angle: 19° (included)
- Optional: 26° - 36° - 50°

### COLOR SYSTEM

- Warm White 3200K LED Source

### EFFECTS

- Linear dimmer 0-100%
- Electronic Strobe: 1-20 flashes/s with adjustable speed

### CONTROL AND PROGRAMMING

- 1 DMX configurations available: 2 channels
- USITT DMX 512 protocol
- Master/Slave mode
- Auto mode: 2 programs can be selected from display

### STRUCTURE AND CABINET

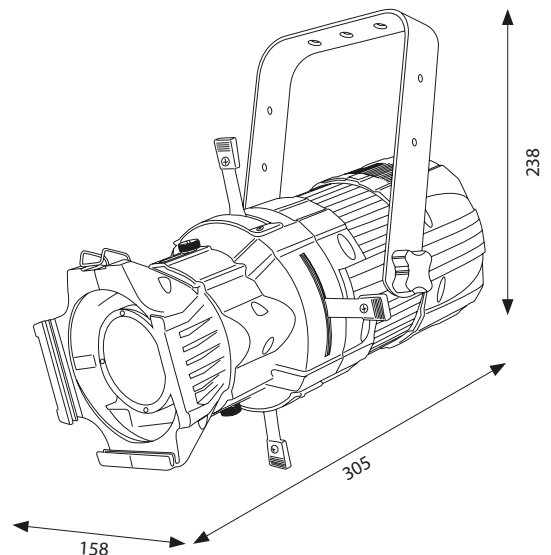
- Metal housing and high resistance plastic covers, black color
- Red LED display
- Mounting points: single bracket
- Gel filter frame included
- Gobo holder included
- Iris not included (sold separately)
- DMX 3-poles XLR In/Out connection with external USB box
- IP rating: IP20
- Forced Air fan cooling system with "Low Noise" electronic control

### POWER SUPPLY

- Input Voltage: AC~100-240V, 50/60 Hz
- Switching power supply unit
- Max power: 70W @ 230VAC
- Power supply cable 1mt included
- Max 4 pcs linkable @ 240VAC

### WEIGHT AND DIMENSIONS

- Net weight: 2,2 kg
- Dimensions: 158x305x238 mm







# THEATER AND STUDIO PROJECTORS

## JUNIOR PROFILE



**SG JNRPROWW** - PRODUCT CODE Warm White VERSION  
**SG JNRPROCW** - PRODUCT CODE Cold WHITE VERSION  
- PRODUCT CODE RGBW VERSION

### LIGHT SOURCE

- 1x30W Led Warm White 3200K
- LED lifespan: > 50.000h
- LED refresh frequency: > 400Hz anti-flicker

### OPTIC SYSTEM

- Beam Angle: 19° (included)
- Optional: 14° - 26° - 36°
- Luminous flux: 215 lux @5m (full on)

### COLOR SYSTEM

- Warm White 3200K LED source

### EFFECTS

- Linear dimmer 0-100%
- Electronic Strobe: 1-20 flashes/s with adjustable speed

### CONTROL AND PROGRAMMING

- 1 DMX channels configuration: 2 channels
- USITT DMX 512 protocol
- Auto mode: 1 programs can be selected from dip switch

### STRUCTURE AND CABINET

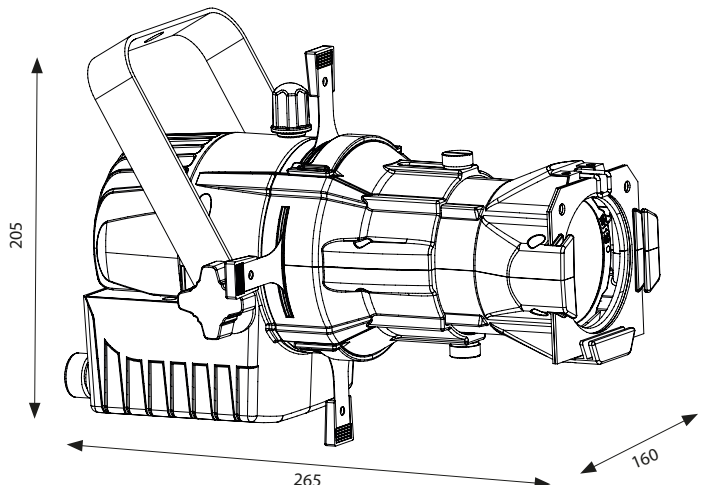
- High resistance black plastic and aluminium housing
- Mounting points: single bracket
- Gel filter frame included
- Gobo holder included
- Iris not included (sold separately)
- DMX 3-poles XLR In/Out connectors
- IP rating: IP20

### POWER SUPPLY

- Input Voltage: AC~100-240V, 50/60 Hz
- Max power: 35W @ 230VAC
- Power supply cable 1mt included

### WEIGHT AND DIMENSIONS

- Net weight: 1,1 kg
- Dimensions: 160x265x205 mm



# THEATER AND STUDIO PROJECTORS

## HALO FRESNEL LED 60



**SG HALOFWWM60** - PRODUCT CODE Warm White VERSION

**SG HALOFCWM60** - PRODUCT CODE Cold White VERSION

**SG CASEHALOFM** - CASE (4X SG HALOFWWM60)

### LIGHT SOURCE

- 1x60W Led COB Warm White 3200K
- CRI ≥ 85Ra
- LED lifespan: > 50.000h
- LED refresh frequency: > 400Hz flicker-free

### OPTIC SYSTEM

- Beam Angle: manual zoom from 15° to 55°
- Luminous flux: 1490lux @ 5mt (15°)
- Luminous flux: 530lux @ 5mt (55°)

### COLOR SYSTEM

- Warm White 3200K COB LED Source

### EFFECTS

- Linear dimmer 0-100%
- Electronic Strobe: 1-20 flashes/s with adjustable speed

### CONTROL AND PROGRAMMING

- 1 DMX configurations available: 2 channels
- USITT DMX 512 protocol
- Manual dimmer mode

### STRUCTURE AND CABINET

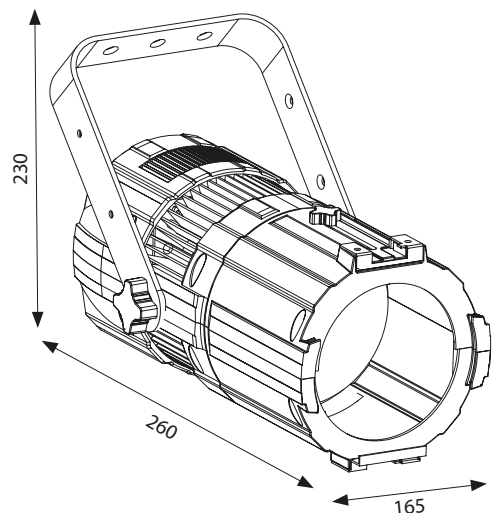
- High resistance plastic housing, black color
- Red LED display
- Mounting points: single bracket
- Rotating barn door with "safety cable" included
- DMX 3-poles XLR In/Out connection with external USB box
- IP rating: IP20
- Forced Air fan cooling system with "Low Noise" electronic control

### POWER SUPPLY

- Input Voltage: AC~100-240V, 50/60 Hz
- Switching power supply unit
- Max power: 70W @ 230VAC
- Power supply cable 1mt included
- Max 4 pcs linkable @ 240VAC

### WEIGHT AND DIMENSIONS

- Net weight: 2 kg
- Dimensions: 165x260x230 mm (without barn door)





## THEATER AND STUDIO PROJECTORS

# HALO PROFILE LED ZOOM 200 15-28

**SG HALOPWW1528** - PRODUCT CODE Warm White VERSION

**SG HALOPCW1528** - PRODUCT CODE Cold White VERSION

**SG CASEHALOPR** - CASE (4X SG HALOPWW1528)



### LIGHT SOURCE

- 1X200W led COB Warm White 3200K
- CRI  $\geq$ 85Ra
- LED lifespan: >50.000h
- LED refresh frequency: >400Hz flicker-free

### OPTIC SYSTEM

- Beam angle: zoom from 15° to 28°
- Luminous flux: 4090lux @5mt (15°)
- Luminous flux: 1800lux @5mt (28°)

### COLOR SYSTEM

- Warm White 3200K COB LED Source

### EFFECTS

- Linear dimmer 0-100%
- Electronic Strobe: 1-20 flashes/s with adjustable speed

### CONTROL AND PROGRAMMING

- 2 different DMX channels configurations: 1/2 channels
- USITT DMX 512 protocol

### STRUCTURE AND CABINET

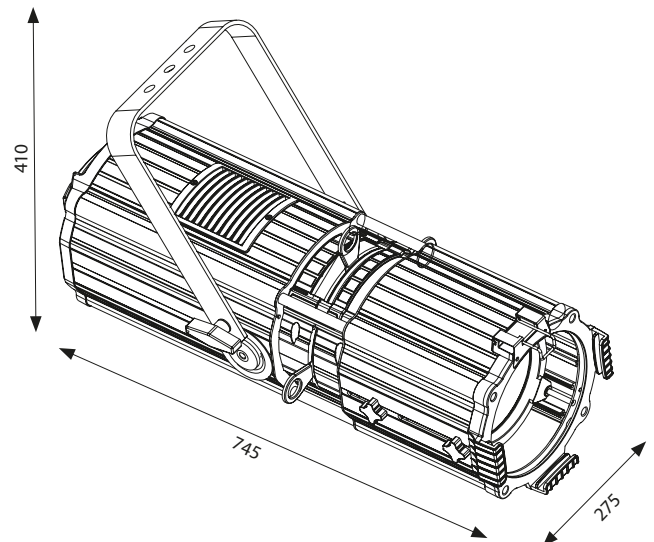
- Black aluminum housing
- Blue LCD graphic display
- Mounting points: single bracket
- Single handle in the rear side for easy transportation
- Gel filter frame included
- Gobo holder included
- Iris (sold separately)
- DMX 3/5-poles XLR In/Out connection
- IP rating: IP20
- Forced Air fan cooling system with "Low Noise" electronic control

### POWER SUPPLY

- Input Voltage: AC~100-240V 50/60Hz
- Switching power supply unit
- Max power: 250W @ 230VAC
- In/Out connection with PowerCON sockets
- Power supply cable 1,5 mt included
- Max 4 pcs linkable @ 240VAC

### WEIGHT AND DIMENSIONS

- Net Weight: 10kg
- Dimensions: 275x745x410 mm



# HALO PROFILE LED ZOOM 200 20-45



**SG HALOPWW2045** - PRODUCT CODE Warm White VERSION  
**SG HALOPCW2045** - PRODUCT CODE Cold White VERSION  
**SG CASEHALOPR** - CASE (4X SG HALOPWW2045)

**LIGHT SOURCE**

- 1X200W LED COB Warm White 3200K
- CR ≥85Ra
- LED lifespan > 50.000h
- LED refresh frequency: > 400Hz flicker free

**OPTIC SYSTEM**

- Beam angle: zoom from 20° to 45°
- Luminous flux: 2950lux@5mt (20°)
- Luminous flux: 1550lux@5mt (45°)

**COLOR SYSTEM**

- Warm White 3200K COB LED Source

**EFFECTS**

- Linear dimmer 0 - 100%
- Electronic Strobe: 1-20 flashes/s with adjustable speed

**CONTROL AND PROGRAMMING**

- 2 different DMX channels configurations: 1/2 channels
- USITT DMX 512 protocol

**STRUCTURE AND CABINET**

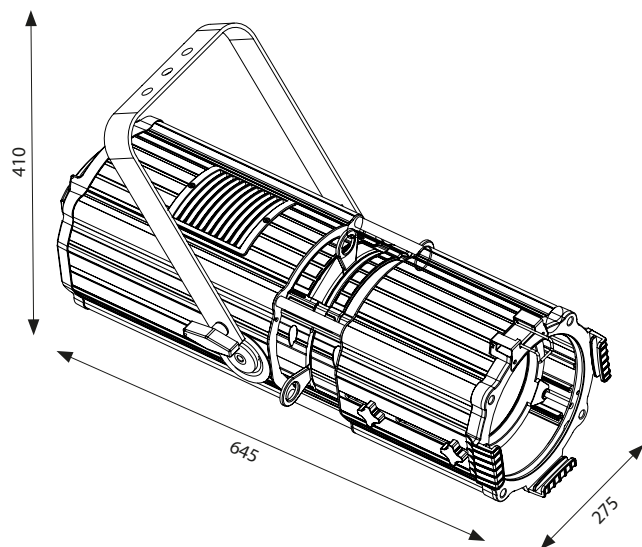
- Black aluminium housing
- Blue LCD graphic display
- Mounting points: single bracket
- Single handle in the rear side of the for easy transportation
- Gel filter frame included
- Gobo holder included
- Iris (sold separately)
- DMX 3/5-poles XLR In/Out connection
- IP rating: IP20
- Forced Air fan cooling system with "Low Noise" electronic control

**POWER SUPPLY**

- Input voltage: AC~100-240V 50/60Hz
- Switching power supply unit
- Max power: 250W @ 230VAC
- In/Out connection with PowerCON sockets
- Power supply cable 1,5 mt included
- Max 4 pcs linkable @ 240VAC

**WEIGHT AND DIMENSIONS**

- Net Weight: 10kg
- Dimension: 275x645x410 mm





## THEATER AND STUDIO PROJECTORS

# HALO PROFILE LED ZOOM 60



**SG HALOPWWM60** - PRODUCT CODE Warm White VERSION

**SG HALOPCWM60** - PRODUCT CODE Cold White VERSION

**SG CASEHALOPM** - CASE (4X SG HALOPWWM60)

### LIGHT SOURCE

- 1X60W LED COB Warm White 3200K
- CRI $\geq$ 85Ra
- LED lifespan > 50.000h
- LED refresh frequency: > 400Hz anti-flicker

### OPTIC SYSTEM

- Beam angle: zoom from 19° to 36°
- Luminous flux: 890lux@5mt (19°)
- Luminous flux: 280lux@5mt (36°)

### COLOR SYSTEM

- Warm White 3200K COB LED Source

### EFFECTS

- Linear dimmer 0 - 100%
- Electronic Strobe: 1-20 flashes/s with adjustable speed

### CONTROL AND PROGRAMMING

- 1 different DMX channels configuration: 2 channels
- USITT DMX 512 protocol

### STRUCTURE AND CABINET

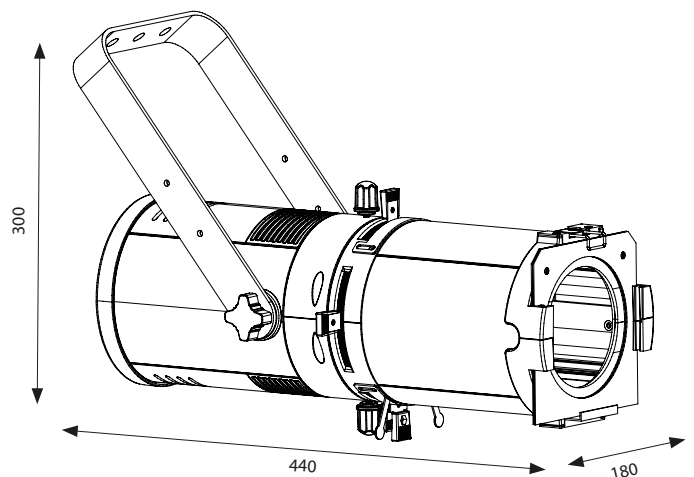
- Black aluminium housing
- Mounting points: single bracket
- External box for address, function settings and manual control of Dimmer
- DMX 3-poles XLR In/Out connection with external USB box
- IP rating: IP20
- Forced Air fan cooling system with "Low Noise" electronic control

### POWER SUPPLY

- Input voltage: AC~100-240V 50/60Hz
- Switching power supply unit
- Max power: 65W @ 230VAC
- Max 4 pcs linkable @ 240VAC

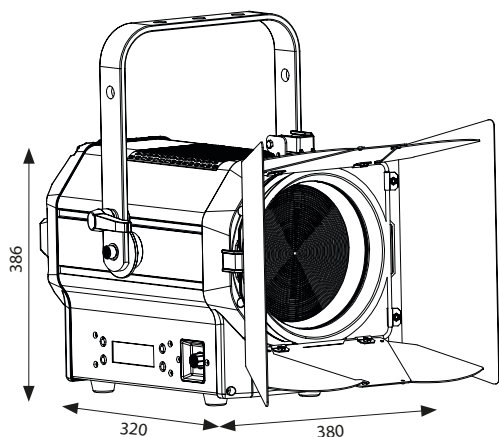
### WEIGHT AND DIMENSIONS

- Net Weight: 3.5 kg
- Dimension: 180x440x300 mm



# THEATER AND STUDIO PROJECTORS

## HLF 2



**SG HLF2T** - PRODUCT CODE  
**SG HLF2D** - PRODUCT CODE  
**SG CASEHLF2** - CASE (4x SG HLF2)

### LIGHT SOURCE

- 1x130W Led COB
- CRI = 95 Ra
- LED lifespan: > 50.000 hrs
- LED refresh frequency: adjustable from 900 Hz to 20 KHz. Anti flicker

### OPTIC SYSTEM

- Beam Angle: manual zoom from 14° to 36°
- Field Angle: manual zoom from 20° to 47°

### EFFECTS

- Linear dimmer 0-100%
- Independent adjustment of dimmer with external knob
- Adjustable Strobe
- 4 Dimmer curves available (Linear / Square / I-Square / S-Curve)
- 2 Dimmer mode selectable (LED / Halogen)

### CONTROL AND PROGRAMMING

- 5 DMX configurations available: 1/2/2/4/5 channels
- Protocol USITT DMX 512
- Manual dimmer mode controlled by independent knob or by display

### STRUCTURE AND CABINET

- Aluminium housing black color
- New PMMA fresnel lens
- LCD blue graphic display
- Mounting points: single bracket
- Rotating barndoor included
- XLR 3/5-poles DMX IN/OUT connection
- USB connection for software upgrade and wireless control (order code: SG HLWDMXPEN)
- IP rating: IP20
- Electronic controlled forced air fan cooling system "low noise"
- 3 selectable fan modes
- Pan / Tilt bracket for pole control (order code: SG HLF2PLBR)

### POWER SUPPLY

- Input Voltage: AC~100-240V, 50/60 Hz
- Switching power supply unit
- Max power: 150W @ 230VAC
- IN/OUT power connection with TrueONE sockets
- Power supply cable 1 mt included
- Max 8 pcs linkable @ 230VAC

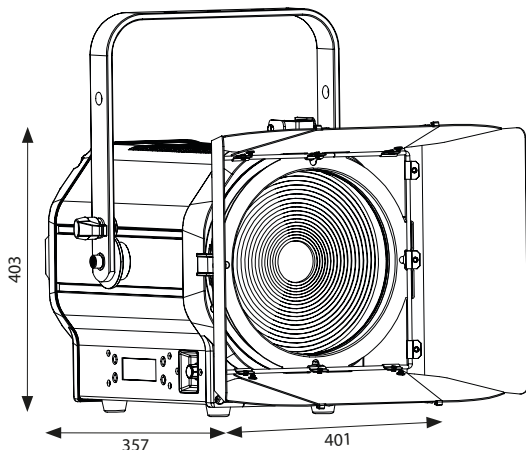
### WEIGHT AND DIMENSIONS

- Net weight: 7 kg
- Projector dimensions: 320x380x386 (h) mm (barndoors included)
- Flight Case dimensions: 992x722x567 (h) mm



# THEATER AND STUDIO PROJECTORS

## HLF 4



**SG HLF4T** - PRODUCT CODE  
**SG HLF4D** - PRODUCT CODE  
**SG CASEHLF4** - CASE (4x SG HLF4)

### LIGHT SOURCE

- 1x230W Led COB
- CRI = 95 Ra
- LED lifespan: > 50.000 hrs
- LED refresh frequency: adjustable from 900 Hz to 20 KHz. Anti flicker

### OPTIC SYSTEM

- Beam Angle: manual zoom from 9° to 51°
- Field Angle: manual zoom from 13° to 62°

### EFFECTS

- Linear dimmer 0-100%
- Independent adjustment of dimmer with external knob
- Adjustable Strobe
- 4 Dimmer curves available (Linear / Square / I-Square / S-Curve)
- 2 Dimmer mode selectable (LED / Halogen)

### CONTROL AND PROGRAMMING

- 5 DMX configurations available: 1/2/2/4/5 channels
- Protocol USITT DMX 512
- Manual dimmer mode controlled by independent knob or by display

### STRUCTURE AND CABINET

- Aluminium housing black color
- New PMMA fresnel lens
- LCD blue graphic display
- Mounting points: single bracket
- Rotating barndoor included
- XLR 3/5-poles DMX IN/OUT connection
- USB connection for software upgrade and wireless control (order code: SG HLWDMXPEN)
- IP rating: IP20
- Electronic controlled forced air fan cooling system "low noise"
- 3 selectable fan modes
- Pan / Tilt bracket for pole control (order code: SG HLF4PLBR)

### POWER SUPPLY

- Input Voltage: AC~100-240V, 50/60 Hz
- Switching power supply unit
- Max power: 250W @ 230VAC
- IN/OUT power connection with TrueONE sockets
- Power supply cable 1 mt included
- Max 4 pcs linkable @ 230VAC

### WEIGHT AND DIMENSIONS

- Net weight: 8,7 kg
- Projector dimensions: 357x401x403 (h) mm (barndoors included)
- Flight Case dimensions: 1024x802x581 (h) mm



# **STAGE PROJECTORS**



# STAGE PROJECTORS

## BLOK 2TW



**SG BLOK2TW** - PRODUCT CODE  
**SG CASEBLOK2** - CASE (4X SG BLOK2TW)  
**SG BLOK2TWH** - HARDWARE CONNECTION SYSTEM

### LIGHT SOURCE

- 2x100W led COB Warm White 3200K
- CRI $\geq$ 85Ra
- LED lifespan: > 50.000h
- LED refresh frequency: > 400Hz anti-flicker

### OPTIC SYSTEM

- Beam Angle: 94°

### COLOR SYSTEM

- Warm White 3200K COB LED Source

### EFFECTS

- Linear dimmer 0-100%
- Adjustable strobe effect
- RED-Shift effect for Halogen blinder simulation
- Single pixel control

### CONTROL AND PROGRAMMING

- 6 DMX configurations available: 1/4/6/2/6/10 channels
- Key lock password for display lock
- USITT DMX 512 protocol

### STRUCTURE AND CABINET

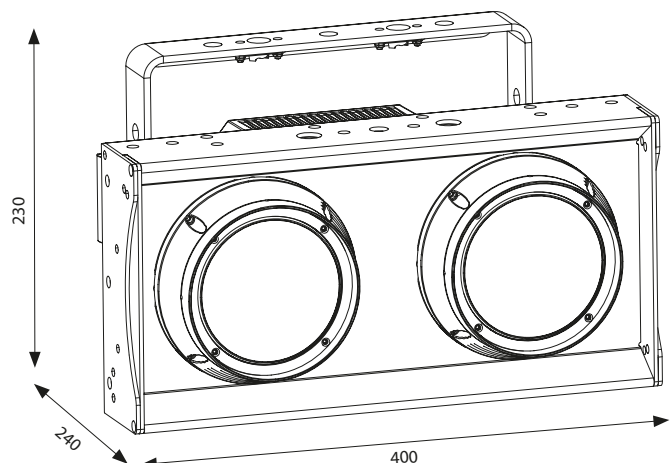
- Die cast aluminium housing, black color
- Hardware system connection for multiple projectors stack (SG BLOK2TWH sold separately)
- LCD graphic display
- Soft touch buttons
- "Light up" positioning with adjustable angle
- IP rating: IP65
- IP65 DMX 3-poles XLR In/Out connectors
- Forced Air fan cooling system with "Low Noise" electronic control

### POWER SUPPLY

- Input Voltage: AC~100-240V, 50/60 Hz
- Switching power supply unit
- Max Power: 315W @ 230VAC
- IP65 True ONE In/Out connectors

### WEIGHT AND DIMENSIONS

- Net weight: 8,2 kg
- Dimensions: 400x240x230 mm



# CONTROLLERS AND DISTRIBUTION





# CONTROLLERS AND DISTRIBUTION

## QUIVER



### SG QUIVER - PRODUCT CODE

**SG CASEQUIVER** - CASE (1X SG QUIVER)

**SG CASEQUIVER1X** - CASE (1X SG QUIVER + 1X SG QUIVERX)

**SG CASEQUIVER2X** - CASE (1X SG QUIVER + 2X SG QUIVERX)

### CONTROLS

- Touch-screen TFT LCD 7" colour display
- 6 control keys for editor
- 6 configurable slider as playback, master group
- 6 configurable key as play, flash, DBO
- 12 keys for direct access to playback and CUES
- 4 touch-fader for the control of the attributes during the programming and control of the effects and during playback and manual use
- Joystick for PAN and TILT movement control with lock and fine/super fine keys

### DESCRIPTION

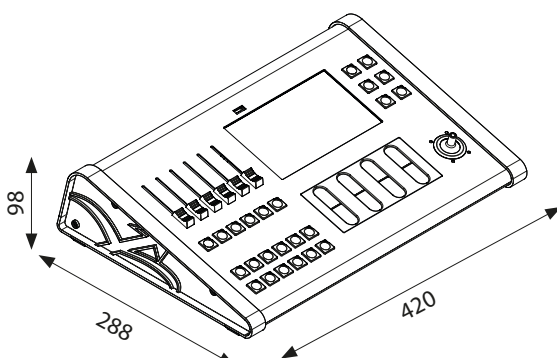
- Effective graphic interface able to easily manage programming and playback for a maximum of 144 cue-list organize in 12 pages each having a maximum of 999 cues
- 512 channel for each single universe DMX for the control of dimmer and/or intelligent projector, available simultaneously on XLR connector 3-poles
- Up to 1536 channel with Quiver Expand
- Up to 36 Cue-list run concurrently (with 2 Expand connected)
- "Shape engine" customizable and applicable to different functions (PAN&TILT - DIM - COLOR - GOBO - BLADE)
- Up to 6 different families of "palettes" programmable for a flexible and easy control of intelligent projectors
- Up to 999 Cues for each playback
- Library "personalities" upgradeable, creating fixture via software for PC (included)
- "Palettes" Chris/Gam/Lee and Rosco pre-program usable on all machines with mixing colors RGB or CMY
- Maximum Number of storable cues to show: 999
- RDM ready (Prepared for enlargement of technology)
- Wireless ready (Designed for the insertion of a wireless transmitter sold separately)
- External Power Supply: 100-240V 50-60Hz
- USB Pendrive (included)
- USB Gooseneck led light (included)
- Protective cover (included)

### CONNECTIONS

- DMX out: 1x XLR 3-poles
- Expand: 2x RJ45 for expansions connection
- USB 1x port for backup, lamp power supply and update the fixture
- Jack 6,3mm for connecting the pedals for controlling the gearbox scenes

### WEIGHT AND DIMENSIONS

- Net weight: 3,4 kg
- Dimensione: 420X98X288 mm



# CONTROLLERS AND DISTRIBUTION

## QUIVER X



### SG QUIVERX - PRODUCT CODE

#### CONTROLS

- 6 configurable slider as playback, master group
- 6 configurable key as play, flash, DBO
- 12 keys for direct access to playback and CUES

#### CONNECTIONS

- DMX out: 1x XLR 3-poles
- Expand: 1x RJ45 for expansions connection to Quiver

#### WEIGHT AND DIMENSIONS

- Net weight: 1,4 kg
- Dimensions: 196x98x288 mm



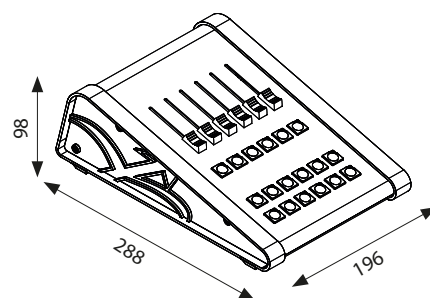
### EXAMPLE OF CASE



### QUIVER + 1 QUIVER X



### QUIVER + 2 QUIVER X



Hazer Heating  
is Complete



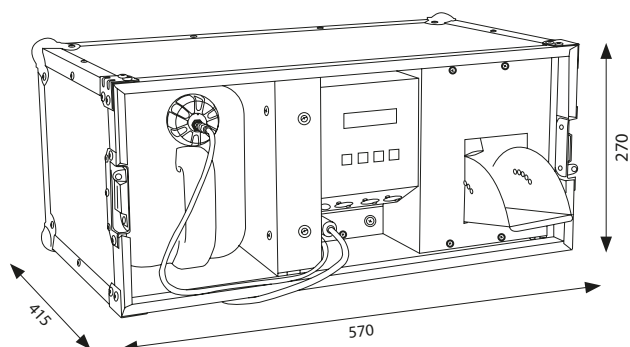
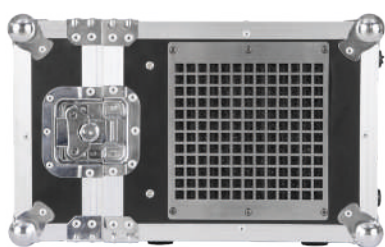
OUT DMX 3PIN IN  
OUT DMX 5PIN IN



# AMBIENT EFFECTS

# AMBIENT EFFECT

## HAZER 1500



### SG H1500 - PRODUCT CODE

#### EFFECTS

- Hazer effect

#### CONTROL AND PROGRAMMING

- 2 different DMX channels configurations
- Fan's speed adjustable via software and via DMX
- USITT DMX 512 protocol
- Automatic safety shutdown circuit for pump prevention in case of finished liquid in the circuit
- Heating time: 4 mins
- Smoke output: 1700 cuft
- Continue output
- Manual mode adjustable via display

#### STRUCTURE AND CABINET

- Metal housing, black color
- Blue LCD graphic display
- Flight case included, for easy transportation
- Comfortable handle for transportation
- High performance pump for optimal emission
- High speed axial fan
- External tank: 6 litres
- DMX 3/5-poles XLR In/Out connectors
- IP rating: IP20
- For best applications and correct function we recommend using Sagitter fluids

#### POWER SUPPLY

- Input Voltage: AC~230V 50Hz
- Max power: 1500W @ 230VAC
- Power IN connection with powerCON sockets
- Power supply cable 1,5 mt included

#### WEIGHT AND DIMENSIONS

- Net weight: 18 kg
- Dimensions: 570x415x270 mm



# AMBIENT EFFECT

## HS - 900



### SG HS900 - PRODUCT CODE

#### EFFECTS

- Hazer effect

#### CONTROL AND PROGRAMMING

- 1 DMX channel configuration: 2 channels
- Fan's speed adjustable via DMX
- USITT DMX 512 protocol
- Radio remote controller included
- Heating time: 2 mins
- Smoke output: 1300 cuft
- Continue output
- Manual mode adjustable via display

#### STRUCTURE AND CABINET

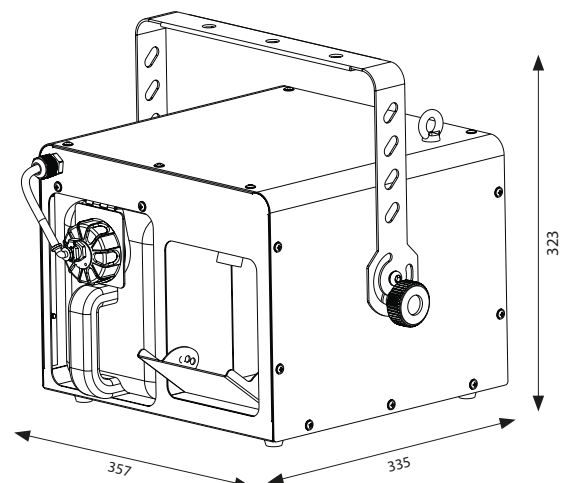
- Metal housing, black color
- Blue LCD graphic display
- Led indicator for heating and ready to smoke
- High performance pump for optimal emission
- High speed fan
- External tank: 3 litres
- DMX 3-poles XLR In/Out connectors
- IP rating: IP20
- For best applications and correct function we recommend using Sagitter fluids

#### POWER SUPPLY

- Input Voltage: AC~230V, 50Hz
- Max Power: 650 W @ 230VAC
- Power IN connection with VDE sockets
- Power supply cable 1,5 mt included

#### WEIGHT AND DIMENSIONS

- Net weight: 7,3 kg
- Dimensions: 357x335x323 mm





genuine  
ACCESSORIES





# ACCESSORIES FLUIDS



## LIGHT

Light version, suitable for small environments and 'occasional' users who want to get a nice smoke effect minimizing the expenses. This version can also be used for those who need a fast fading effect. 5 liters tank

**SG SMKFLD5L** - PRODUCT CODE

## MEDIUM

Version that provides an adequate coverage and durability for any kind of show, suitable for any location, i.e. live events, theaters and nightclubs. 5 liters tank

**SG SMKFLD5M** - PRODUCT CODE

## HIGH DENSITY

Condensed version which guarantees a long durability and an adequate coverage for a professional and covering smoke effect. 5 liters tank

**SG SMKFLD5D** - PRODUCT CODE



## HAZER

Condensed version which guarantees a long durability and an adequate coverage for a professional and covering smoke effect. 5 liters tank

**SG HZRFLD5** - PRODUCT CODE



## QUICK DISSIPATION

Quick dissipation version, this liquid guarantees intensity and fading similar to a CO2 gas effect. 5 liter tank

**SG SMKFLD5QD** - PRODUCT CODE

# ACCESSORIES

# LAMPS

CODE	OSRAM	W	V	SOCKET	LIFETIME (H)	LM	PHILIPS	GE	NAED	ANSI	LIF
<b>DOUBLEPLUG HALOGEN</b>											
PLL300M38	64662	300	230	GY9,5	2000	5000	6874P	M38-39785			M/38
PLL500M40	64672	500	230	GY9,5	2000	8500	6877P	M40-39621			M/40
PLL1000T19	64744	1000	230	GX9,5	750	20500	6996P	T19FWP-39657		FWP	T/19
PLL200016	64788	2000	230	GY16	400	52000	6994P				CP/72
PLL575HTC	93728	575	230	G9,5	300	14900		HPL575-37128	54618		
PLL750HTC	93729	750	230	G9,5	300	19750		HPL750-37824			
<b>PAR 36</b>											
PLL36V		30	6	screw	100	55000		4515-24673			
PLPDWE		650	120	screw	100	24000		DWE-41667			
<b>PAR 56</b>											
PLL56V		300	230	GX16d	2000	10000			300PAR56\NSP		
<b>PAR 64</b>											
PLL645V		500	230	GX16d	300			CP87-30283			CP/87
PLL64A		1000	230	GX16d	300	320000	PAR64NSP	CP60EXC-19909	56332	EXC	CP/60
PLL64B		1000	230	GX16d	300	270000	PAR64SP	CP61EXD-19911	56233	EXD	CP/61
PLL64C		1000	230	GX16d	300	125000	PAR64FL	CP62EXE-19913	56234	EXE	CP/62
PLL6428V		250	28	screw	25			4552-VNSP			

CODE	OSRAM	W	V	SOCKET	LIFETIME (H)	LM	PHILIPS	GE	NAED	ANSI	LIF
------	-------	---	---	--------	--------------	----	---------	----	------	------	-----

Made in China

## DISCHARGE HMI SERIES

PLLHMI575CN	HMI 575W/GS	575	VG	Sfc 10-4	nd	nd	MSI 575W	CSR575/DE			
-------------	-------------	-----	----	----------	----	----	----------	-----------	--	--	--

## DISCHARGE HSD SERIES

PLLHSD250CN	HSD 250	250	VG	GY9,5	nd	nd	MSD 250	CSD 250			
-------------	---------	-----	----	-------	----	----	---------	---------	--	--	--

## DISCHARGE HSR/MSR SERIES

PLLHSR575CN	HSR 575/60	575	VG	GX9,5	nd	nd	MSR 575	CSR 575			
-------------	------------	-----	----	-------	----	----	---------	---------	--	--	--



# ACCESSORIES

# LAMPS

CODE	OSRAM	W	V	SOCKET	LIFETIME (H)	LM	PHILIPS	GE	NAED	ANSI	LIF
<b>WOOD TUBE</b>											
PLL18W		18	VG	G13	9000		TLD18W/08	F20T12/BLB			
PLL36W		36	VG	G13	20000		TLD36W/08	F40T12/BLB			
<b>STROBE HIGH POWER</b>											
PLLXOP15N		1000	VS	CAP15.8\14.7cab	250	350000	XOP15-OF				
<b>DISCHARGE HMI SERIES</b>											
PLLPHMI575GS	HMI 575W/GS	575	VG	Sfc 10-4	1000	49000	MSI 575W	CSR575/DE			
PLLPHMI1200GS	HMI 1200W/GS	1200	VG	Sfc 15,5-6	1000	110000	MSI 1200W	CSR1200/DE			
<b>DISCHARGE HSD SERIES</b>											
PLLPHSD250	HSD 250	250	VG	GY9,5	2000	17000	MSD 250				
<b>DISCHARGE HSR/MSR SERIES</b>											
PLLPHSR575	HSR 575/60	575	VG	GX9,5	1000	49000					
PLLMSR1200SA		1200	VG	GY22	750	96000	MSR 1200SA	CSR1200SA			
<b>DISCHARGE REFLECTOR SERIES</b>											
SG LTUHP190W		190/160		2 terminations			UHP 160/190W 0.9 E20.9				
SG LTUHP200W		200/170		2 terminations			TOP UHP 200/170W				
SG LTVIP280W	P-VIP 280/1.0 E20.6	280		2 terminations							
SG PLHRI230	SIRIUS HRI 230W	230		2 terminations	2500						
SG PLHRI280	SIRIUS HRI 280W	280		2 terminations	2000						
SG PLHRI132	SIRIUS HRI 132W	132		2 terminations	6000						
SG PLHRI100	SIRIUS HRI 100W	100		2 terminations	6000						
<b>DISCHARGE FASTFIT SERIES</b>											
SG PL300LK		300		PGJX28	750	23000	MSR Gold 300/2 Mini FastFit1CT/4				
SG PL700LK		700		PGJX50	750	50000	MSR Gold 700/2 FastFit 1CT/8				
SG PL700LK28		700		PGJX28	750	47000	MSR Gold 700/2 Mini FastFit 1CT/4				

# ACCESSORIES

## DMX CABLES

### DMX CABLE 3-poles

---

Professional DMX cable made in Italy with Neutrik connections series XX XLR 3-poles.  
Composition: 1x NC3FXXBAG 1x SG DMXBK 1x NC3MXXBAG. Cable color: Black

- SG DMX3PLU01 - 1 mt.
- SG DMX3PLU02 - 2 mt.
- SG DMX3PLU03 - 3 mt.
- SG DMX3PLU05 - 5 mt.
- SG DMX3PLU10 - 10 mt.
- SG DMX3PLU15 - 15 mt.
- SG DMX3PLU20 - 20 mt.



### DMX CABLE 5-poles

---

Professional DMX cable made in Italy with Neutrik connections series XX XLR 5-poles.  
Composition: 1x NC5FXXBAG 1x SG DMXBK 1x NC5MXXBAG. Cable color: Black

- SG DMX5PLU01 - 1 mt.
- SG DMX5PLU02 - 2 mt.
- SG DMX5PLU03 - 3 mt.
- SG DMX5PLU05 - 5 mt.
- SG DMX5PLU10 - 10 mt.
- SG DMX5PLU15 - 15 mt.
- SG DMX5PLU20 - 20 mt.





# ACCESSORIES

# CABLES

## POWERCON EXTENSION CABLES

SDC775LU015	Powercon cable 3x2,5mm 1,5 mt
SDC775LU025	Powercon cable 3x2,5mm 2,5 mt
SDC775LU05	Powercon cable 3x2,5mm 5 mt
SDC775LU10	Powercon cable 3x2,5mm 10 mt
SM300LU5	Power cable mounth EC female socket - SCHIUKO 3x1mm 5mt
SM300LU10	Power cable mounth EC female socket - SCHIUKO 3x1mm 10mt
SM300LU15	Power cable mounth EC female socket - SCHIUKO 3x1mm 15mt

## IP DMX EXTENSION CABLES FOR IP LED SERIES

SG IPCDLU3	DMX cable IP 65 3 mt
SG IPCDLU05	DMX cable IP 65 5 mt
SG IPCDLU10	DMX cable IP 65 10 mt

## IP POWER EXTENSION CABLES FOR IP LED SERIES

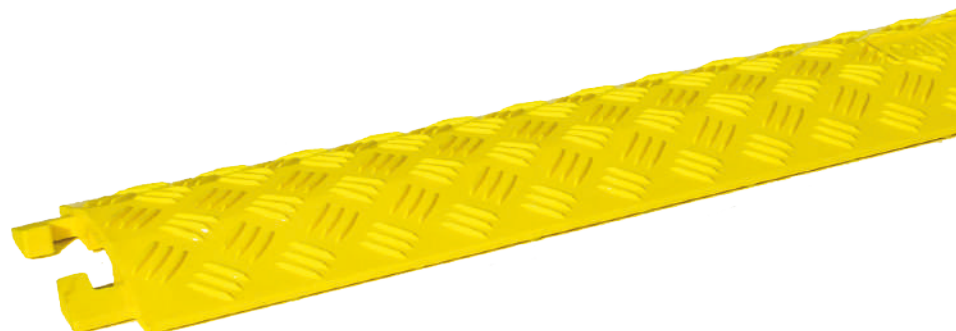
SG IPCPLU3	Power cable IP 65 3 mt
SG IPCPLU5	Power cable IP 65 5 mt
SG IPCPLU10	Power cable IP 65 10 mt

# CABLE PROTECTORS

**SG CABLECVR15** - PRODUCT CODE

## TECHNICAL DATA

- 1 way cable cross
- Conduits for cable routing up to 30 mm section
- Cable cross made of thermoplastic polyurethane
- Capacity:  $\leq 1000$  kg (uniformly distributed load)
- Conduits measures: 1000x40x13 mm
- Platform measures: 1000x135x25 mm
- Weight: 2.0 kg



# ACCESSORIES

# CABLE PROTECTORS

## SG CABLECRS2 - PRODUCT CODE

### TECHNICAL DATA

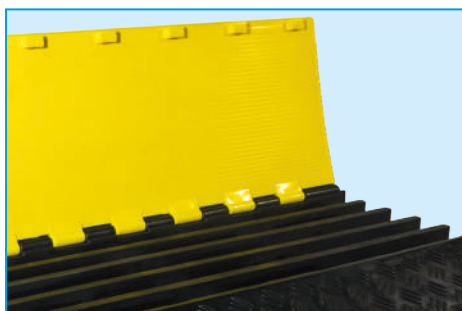
- 2 ways cable cross
- Conduits for cable routing up to 30 mm section
- Base made of thermoplastic polyurethane
- Closing panel: made of yellow PVC
- Capacity:  $\leq 3000$  kg (uniformly distributed load)
- Conduits measures: 1000x30x30 mm
- Platform measures: 1000x45x250 mm
- Weight: 4.0 kg



## SG CABLECRS5 - PRODUCT CODE

### TECHNICAL DATA

- 5 ways cable cross
- Conduits for cable routing up to 35 mm section
- Base made of thermoplastic polyurethane
- Closing panel: made of yellow PVC
- Capacity:  $\leq 4500$  kg (uniformly distributed load)
- Conduits measures: 4x(1000x35x40 mm) / 1x(1000x40x40 mm)
- Platform measures: 1000x500x55 mm
- Weight: 9.0 kg





# ACCESSORIES

# CLAMPS AND SAFETY ROPES



**PLH290BK**

Black Simple extruded aluminium coupler



**PLH295BK**

Black Simple extruded aluminium coupler



**PLH10NBK**

Black Galvanized steel hook clamp



**PLH350BK**

Black Simple extruded aluminium coupler



**PLH232  
PLH248**

Security PVC covered galvanized stainless steel cable with snap hook.



**PLH10N**

Galvanized steel hook clamp



**PLH270**

Simple extruded aluminium coupler



**PLH290**

Simple extruded aluminium coupler



**PLH295**

Simple extruded aluminium coupler



**PLH300**

Simple extruded aluminium coupler



**PLH340**

Accoppiatore in robusto alluminio 6061 T6 estruso.



**PLH420**

Staffa zincata regolabile per truss con doppio accoppiatore singolo.

## ACCESSORIES

# FLIGHTCASES

SG CASESAGOLED	Flightcase with wheels for 4 SAGOLED
SG CASESAGOLEDM	Flightcase for 4 SAGOLED MINI
SG CASEQUARTZ100	Flightcase with wheels for 4 QUARTZ100
SG CASEQUARTZ300	Flightcase with wheels for 2 QUARTZ300
SG CASEHALOFM	Flightcase for 4 HALOFWWM60
SG CASEHALOPR	Flightcase with wheels for 4 HALOPFWW 200
SG CASEQUIVER	Flightcase for QUIVER
SG CASEQUIVER1X	Flightcase for QUIVER + 1 QUIVERX
SG CASEQUIVER2X	Flightcase for QUIVER + 2 QUIVERX
SG CASEAQUPAR	Flightcase with wheels for 6 AQUPAR
SG CASEIPLD32C	Flightcase with wheels for 4 IPLD 32C DL
SG CASEJNRPRO	Flightcase with wheels for 6 JUNIOR PROFILE
SG CASEHALOPM	Flightcase with wheels for 4 HALO PROFILE ZOOM 60
SG CASEBLOK2	Flightcase with wheels for 4 BLOK 2TW

# ACCESSORIES

CODE	DESCRIPTION	COMPATIBLE MODEL
SG LENS19M	Optics 19°	SG SAGOLEDWWM - SG SAGOLEDWWM
SG LENS26M	Optics 26°	SG SAGOLEDWWM - SG SAGOLEDWWM
SG LENS36M	Optics 36°	SG SAGOLEDWWM - SG SAGOLEDWWM
SG LENS50M	Optics 50°	SG SAGOLEDWWM - SG SAGOLEDWWM
SG IRISM	Iris Accessory	SG SAGOLEDWWM - SG SAGOLEDWWM
SG IRISM	Iris Accessory	SG HALOPWWM60 - SG HALOPWWM60
SG IRIS	Iris Accessory	SG HALOPWWM2045 - SG HALOPWWM1528
SG IRISJ	Iris Accessory	SG JNRPROWW - SG JNRPROCW - SG JNRPRORGW
SG LENS14J	Optics 14°	SG JNRPROWW - SG JNRPROCW - SG JNRPRORGW
SG LENS19J	Optics 19°	SG JNRPROWW - SG JNRPROCW - SG JNRPRORGW
SG LENS26J	Optics 26°	SG JNRPROWW - SG JNRPROCW - SG JNRPRORGW
SG LENS36J	Optics 36°	SG JNRPROWW - SG JNRPROCW - SG JNRPRORGW





SG CAT23IE

**SAGITTER**

is a brand of

PROEL SPA  
(Worldwide Headquarters)  
Via alla Ruenia, 37/43  
64027 Sant'Omero (TE) - ITALY  
Tel. +39 0861 81241  
Fax +39 0861 887862  
P.I. 00778590679  
N.Reg.AEE IT 08020000002762

**sagitter.com**

