

HL FRESNEL

HLF2

THEATER PROJECTOR

(order code SG HLF2T - 3000K)

(order code SG HLF2D - 5600K)

LIGHT SOURCE

- 1x130W Led COB
- CRI = 95 Ra
- LED lifespan: > 50.000 hrs
- LED refresh frequency: adjustable from 900 Hz to 20 KHz. Anti flicker

OPTIC SYSTEM

- Beam Angle: manual zoom from 14° to 36°
- Field Angle: manual zoom from 20° to 47°

EFFECTS

- Linear dimmer 0-100%
- Independent adjustment of dimmer with external knob
- Adjustable Strobe
- 4 Dimmer curves available (Linear / Square / I-Square / S-Curve)
- 2 Dimmer mode selectable (LED / Halogen)

CONTROL AND PROGRAMMING

- 5 DMX configurations available: 1/2/2/4/5 channels
- Protocol USITT DMX 512
- Manual dimmer mode controlled by independent knob or by display

STRUCTURE AND CABINET

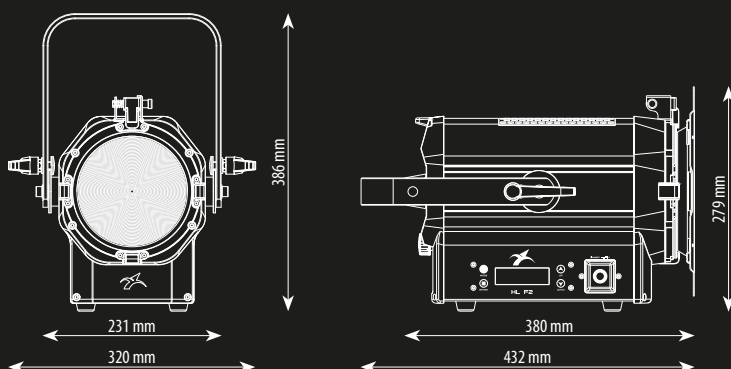
- Aluminium housing black color
- New PMMA fresnel lens
- LCD blue graphic display
- Mounting points: single bracket
- Rotating barndoor included
- XLR 3/5-poles DMX IN/OUT connection
- USB connection for software upgrade and wireless control (order code: SG HLWDMXPEN)
- IP rating: IP20
- Electronic controlled forced air fan cooling system "low noise"
- 3 selectable fan modes
- Pan / Tilt bracket for pole control (order code: SG HLF2PLBR)

POWER SUPPLY

- Input Voltage: AC~100-240V, 50/60 Hz
- Switching power supply unit
- Max power: 150W @ 230VAC
- IN/OUT power connection with TrueONE sockets
- Power supply cable 1 mt included
- Max 8 pcs linkable @ 230VAC

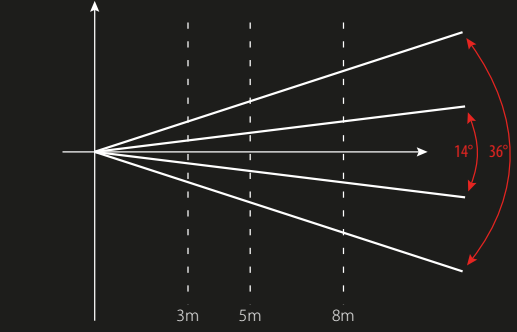
WEIGHT AND DIMENSIONS

- Net weight: 7 kg
- Projector dimensions: 320x380x386 (h) mm (barndoors included)
- Flight Case dimensions: 992x722x567 (h) mm



HLF2T - Tungsten (3000K)

14° Illuminance (Lx)	14315	5155	2080
36° Illuminance (Lx)	2696	1059	467



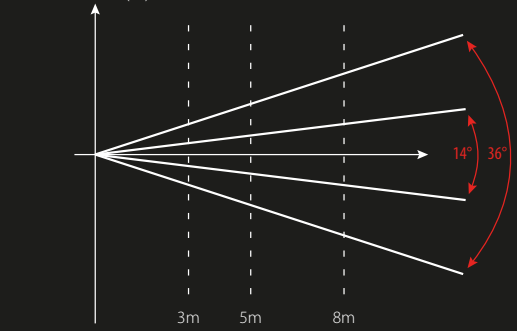
14° Diameter	0,74m	1,23m	1,96m
36° Diameter	1,95m	3,25m	5,20m

Beam angle 14° → Field angle 20°
Beam angle 36° → Field angle 47°

20° Diameter	1,06m	1,76m	2,82m
47° Diameter	2,61m	4,35m	6,96m

HLF2D - Daylight (5600K)

14° Illuminance (Lx)	15771	5560	2162
36° Illuminance (Lx)	3000	1202	558



14° Diameter	0,74m	1,23m	1,96m
36° Diameter	1,95m	3,25m	5,20m

Beam angle 14° → Field angle 20°
Beam angle 36° → Field angle 47°

20° Diameter	1,06m	1,76m	2,82m
47° Diameter	2,61m	4,35m	6,96m

HLF4

THEATER PROJECTOR

(order code SG HLF4T - 3000K)
(order code SG HLF4D - 5600K)

LIGHT SOURCE

- 1x230W Led COB
- CRI = 95 Ra
- LED lifespan: > 50.000 hrs
- LED refresh frequency: adjustable from 900 Hz to 20 KHz. Anti flicker

OPTIC SYSTEM

- Beam Angle: manual zoom from 9° to 51°
- Field Angle: manual zoom from 13° to 62°

EFFECTS

- Linear dimmer 0-100%
- Independent adjustment of dimmer with external knob
- Adjustable Strobe
- 4 Dimmer curves available (Linear / Square / I-Square / S-Curve)
- 2 Dimmer mode selectable (LED / Halogen)

CONTROL AND PROGRAMMING

- 5 DMX configurations available: 1/2/2/4/5 channels
- Protocol USITT DMX 512
- Manual dimmer mode controlled by independent knob or by display

STRUCTURE AND CABINET

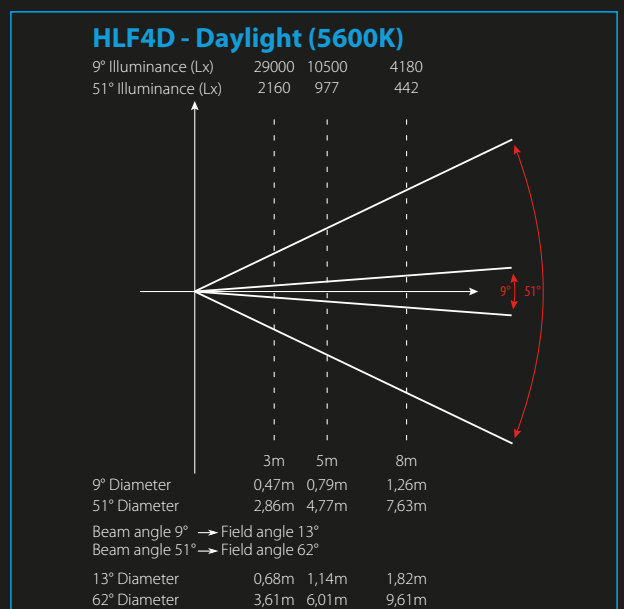
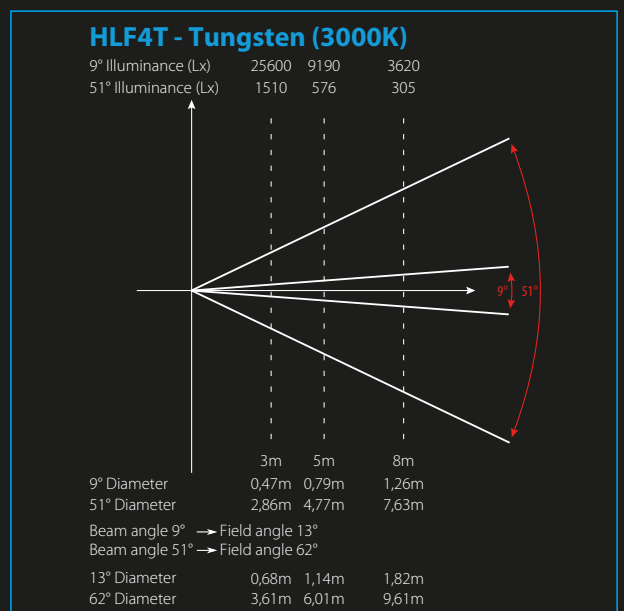
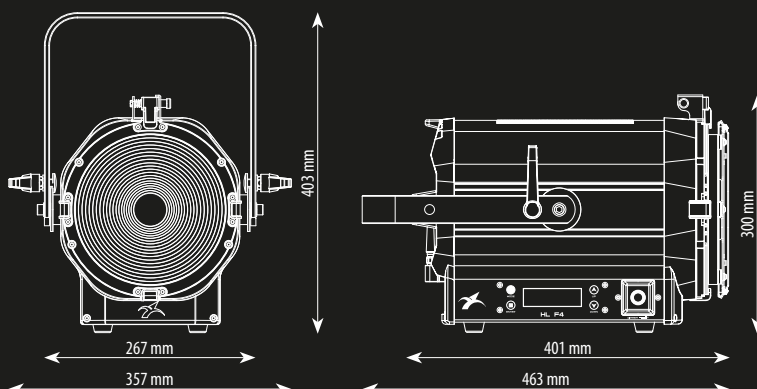
- Aluminium housing black color
- New PMMA fresnel lens
- LCD blue graphic display
- Mounting points: single bracket
- Rotating barndoor included
- XLR 3/5-poles DMX IN/OUT connection
- USB connection for software upgrade and wireless control (order code: SG HLWDMXPEN)
- IP rating: IP20
- Electronic controlled forced air fan cooling system "low noise"
- 3 selectable fan modes
- Pan / Tilt bracket for pole control (order code: SG HLF4PLBR)

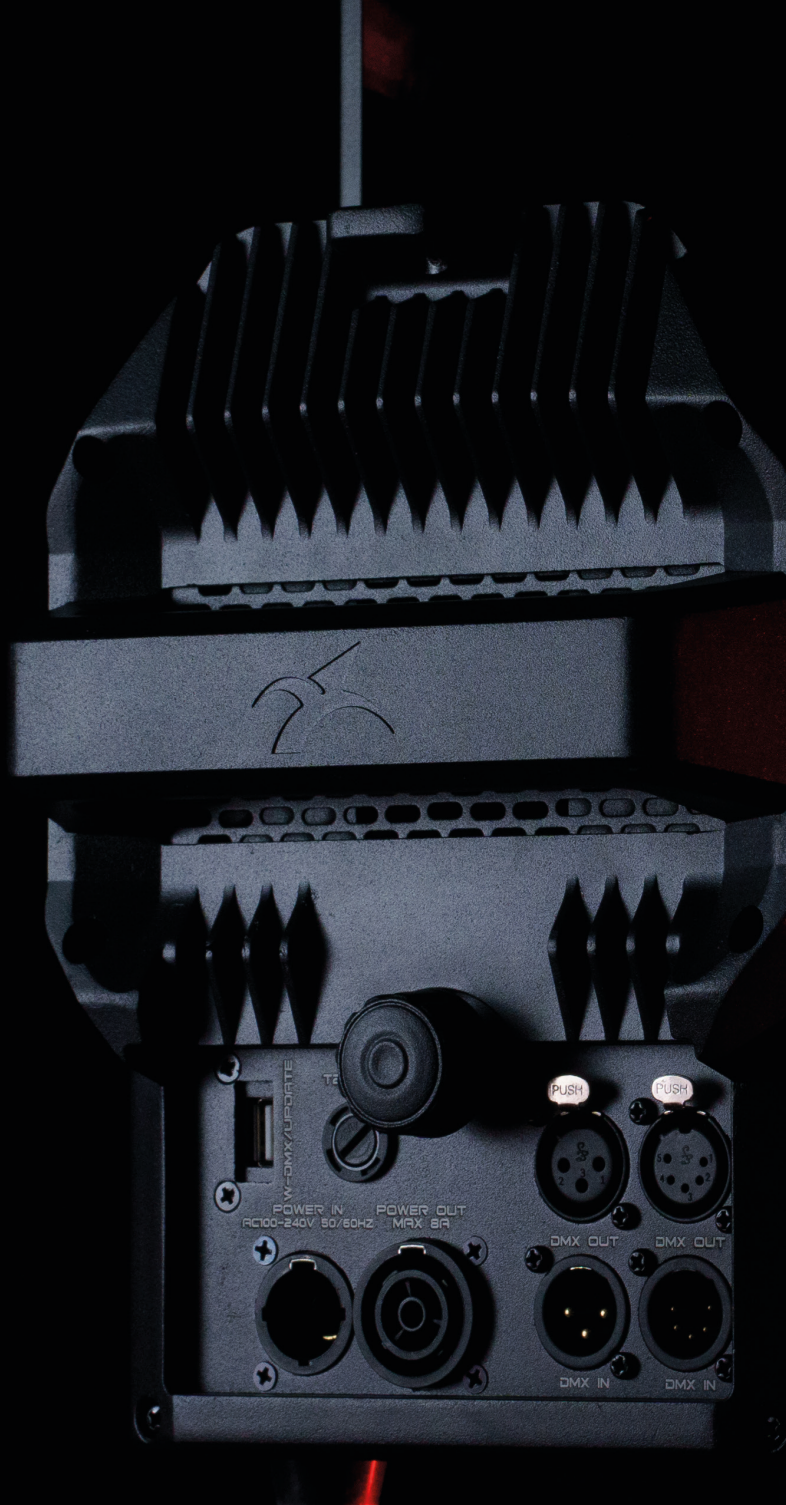
POWER SUPPLY

- Input Voltage: AC~100-240V, 50/60 Hz
- Switching power supply unit
- Max power: 250W @ 230VAC
- IN/OUT power connection with TrueONE sockets
- Power supply cable 1 mt included
- Max 4 pcs linkable @ 230VAC

WEIGHT AND DIMENSIONS

- Net weight: 8,7 kg
- Projector dimensions: 357x401x403 (h) mm (barndoors included)
- Flight Case dimensions: 1024x802x581 (h) mm





SAGITTER

is a brand of

PROEL SPA
(Worldwide Headquarters)
Via alla Ruenia, 37/43
64027 Sant'Omero (TE) - ITALY
Tel. +39 0861 81241
Fax +39 0861 887862
P.I. 00778590679
N.Reg.AEE IT 0802000002762

sagitter.com

SG HLFBROC22IE