



KVM 4/8-PORT REMOTE CONTROL UNIT

A Secure KVM which is out of reach, such as when installed under a desk or in a cabinet, creates a problem. The user doesn't have access to the buttons for selecting and seeing the active PC's. The Remote Control Unit (RCU) solves the problem, by providing direct control of the KVM – right from the desktop.

The RCU provides several benefits:

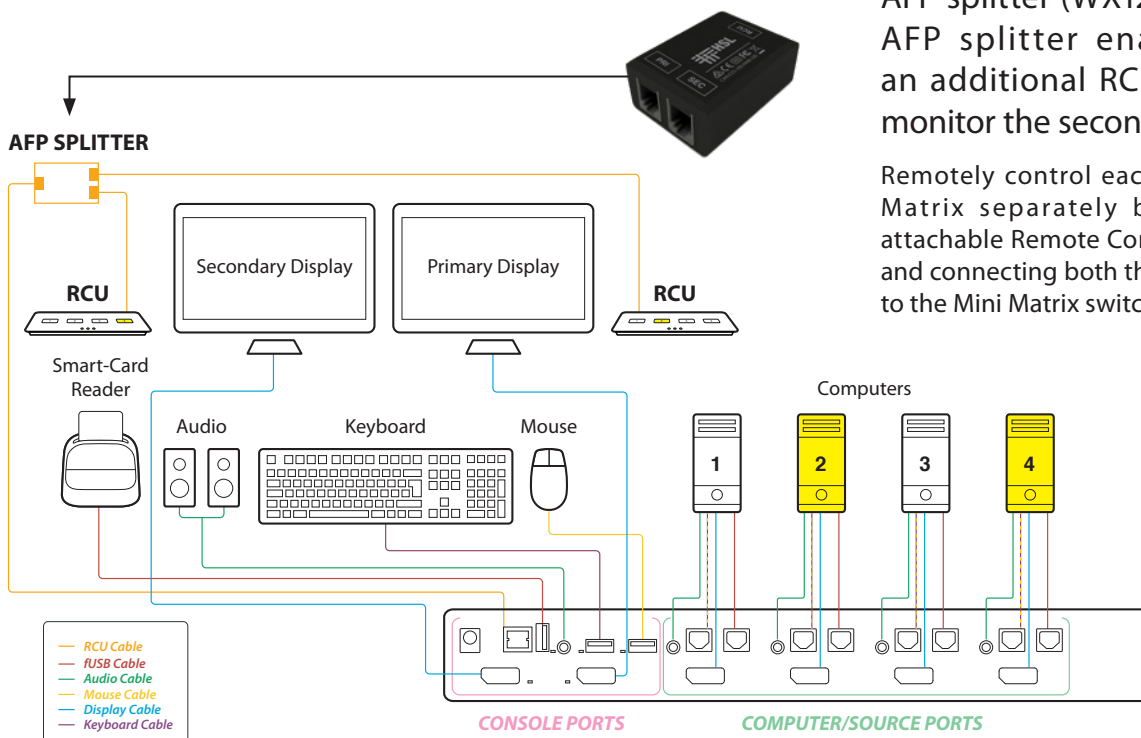
- Illuminated push buttons mimicking the Secure KVM front panel for easy and intuitive control.
- Situational awareness - clear indication of the active channel to reduce user confusion and avoid typing mistakes.
- Simply mounts on the desktop.
- Communicates via a standard RS232 based protocol for easy extension to any distance over standard point to point extenders.

MODEL	DESCRIPTION	DIMENSIONS	P/N
WR40-4F	KVM 4-Port Remote Control Unit	140 x 54 x 13 mm	CPN28459
WR80-4F	KVM 8-Port Remote Control Unit	140 x 54 x 13 mm	CPN28460
WX12N-4	Matrix AFP Splitter	55.1 x 39.8 x 23 mm	CGA17496

MATRIX AFP SPLITTER

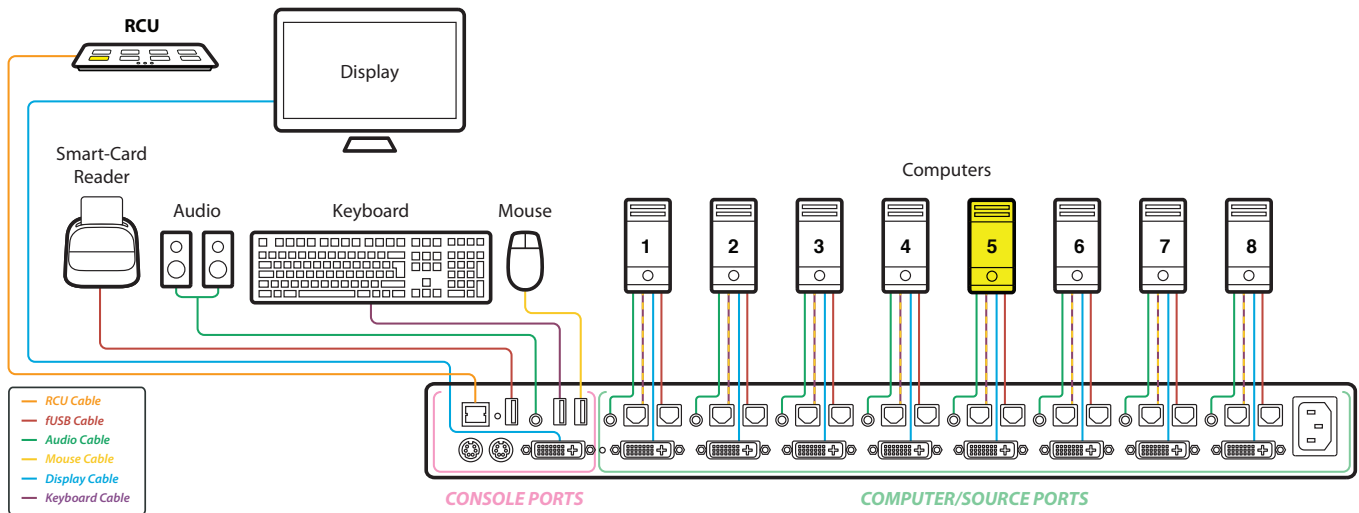
For HSL Mini-Matrix switches, use the AFP splitter (WX12N-4). The special AFP splitter enables attaching an additional RCU to control and monitor the second display.

Remotely control each display of the Mini Matrix separately by connecting the attachable Remote Control Unit on each one and connecting both through the RCU splitter to the Mini Matrix switch.



Compatible Models: Compatible with all HSL 4/8 Port PP3.0 and PP4.0 KM, KVM, Mini-Matrix, Modular-Matrix. Support for HSL's KVM combiners is coming soon but currently not available.

8 PORT KVM SWITCHES



4 PORT KVM SWITCHES

