



over  
**10 MILLION**  
possible solutions

ABL PRODUCT CATALOGUE



# 01 Business Overview

Who We Are ..... pg 5  
Locations, Mission & Vision ..... pg 6

# 02 What We Do

Product Categories ..... pg 8  
Custom Made Solutions ..... pg 9  
In-house Production of Bespoke Power Modules ... pg 10  
Build Your Own Power Module ..... pg 12  
IMP System ..... pg 13  
Smart Charge ..... pg 15  
Spare Fuse ..... pg 16  
Resettable Fuse ..... pg 17  
FAQ Related to BS6396:2008 ..... pg 19

# 03 Power Modules

PMK Under Desk ..... pg 21  
UDM Under Desk ..... pg 24  
Link Under Desk ..... pg 27  
TRM On Desk ..... pg 30  
Chroma On Desk ..... pg 33  
Flexi On Desk ..... pg 36  
Level In Desk ..... pg 39  
Aero Flip In Desk ..... pg 42  
Port EI In Desk ..... pg 45  
Conference In Desk ..... pg 48  
Connecting Power Modules Safely ..... pg 51

# 04 Monitor Arms

Strela ..... pg 54  
FSA ..... pg 57  
Sigma ..... pg 60

# 05 Cable Management

Cables ..... pg 64  
ROSP ..... pg 65  
HASP ..... pg 68  
Wire Basket ..... pg 71

# 06 CPU & Laptop Holders

CPU Holders ..... pg 75  
Laptop Holder ..... pg 76

# 07 Components

Components ..... pg 78  
Components for IMP Integration ..... pg 79



01

Business  
Overview



# WHO WE ARE

---

**W**ith almost two-decades-long experience, ABL are known as the industry leaders, manufacturing a range of office power modules to suit the needs of every office type. ABL's full range of ergonomic office accessories include flat screen monitor arms and cable management products which have been designed to help the end user not only work safely but also reap the rewards of working efficiently in the work place.

**W**hether you're a furniture manufacturer, interior designer or office equipment supplier, ABL can provide tailored solutions and support for your project needs.

Our wide range of products are applicable in every aspect of your life.



OFFICE



EDUCATION



LEISURE



HEALTHCARE



HOME OFFICE



# LOCATIONS

**UK**  
Wellingborough  
Distribution Centre for the UK and Ireland



## MISSION

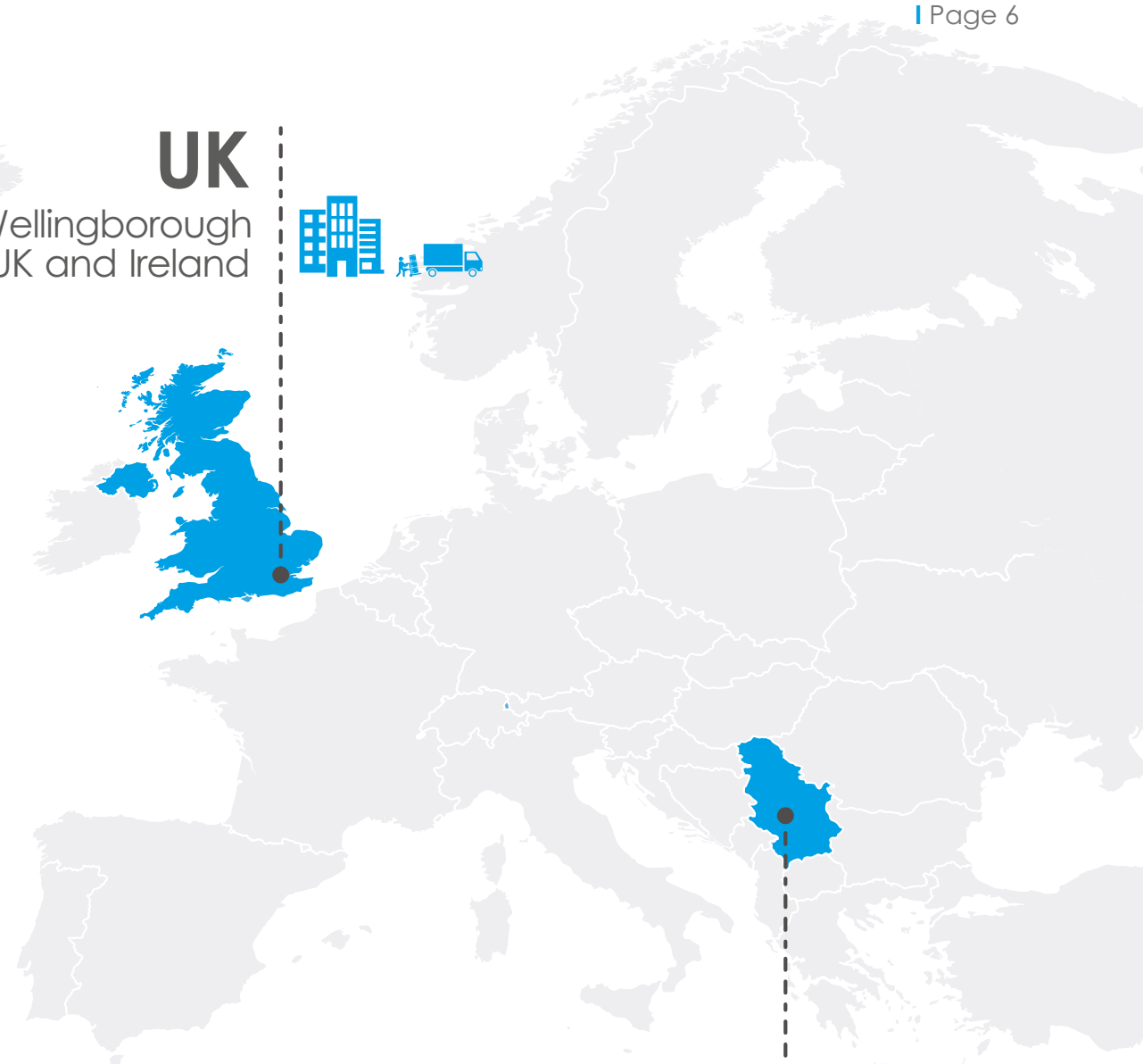
We are here to enhance productivity and satisfaction by creating the ideal environments for people to work with technology.

## VISION

At the heart of ABL is a desire to create the best possible environments for people to achieve their goals.

Number of employees: 50 - 70

**SERBIA**  
Cacak Factory  
and Distribution Centre for EMEA region





What  
We Do

02

# PRODUCT CATEGORIES



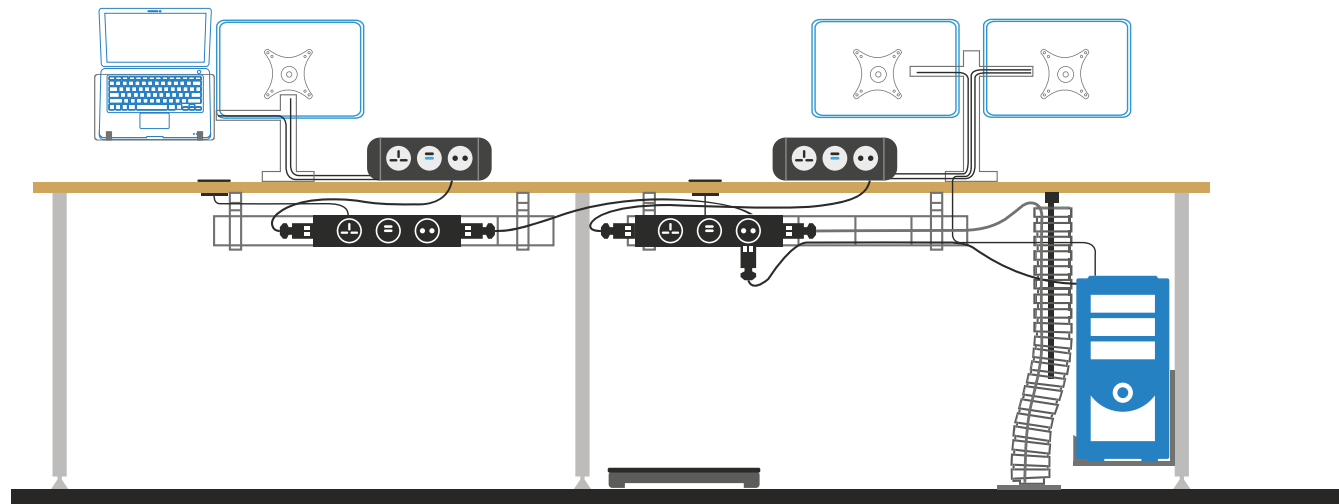


# CUSTOM MADE SOLUTIONS

ABL appreciates that every business is different, and a part of the understanding is realising that there is no perfect way to setup your office space. Our aim is to ensure that our products match your requirements and requests. Whether you need a face lift or a complete overhaul, ABL will make sure that your visions become a reality!

We're proud of our ability to innovate and produce in excess of 600,000.00 sockets per annum.

**Our manufacturing capabilities allow us to promptly respond to the requirement of bespoke Power Modules with the following desk solutions:**



## IN-HOUSE PRODUCTION OF BESPOKE POWER MODULES

**A** fact about ABL of which some customers may not be aware, is that our entire range of power modules are manufactured 100% in-house at our ISO accredited production facility in Europe.

One of the main benefits of this in-house production and design facility is that whenever a customer requires a bespoke power module configuration, we can meet their exact specification.

With our new, interchangeable multimedia plate system (IMP), this can be easily achieved.

**O**ur in-house production is a semi-automated production line of seven work stations, where a team of 50 skilled technicians assemble the product. These processes require sophisticated communication systems, material flow plans, and production schedules from development through to distribution.

The assembly line process ends with a rigorous quality control inspection where every power module is issued with a unique QR code for tracking purposes.

**F**inally, due to the fact that all our power modules are manufactured in Europe, they all have EUR1 form which provides tax free import for our customers within the EU.

Having access to our own in-house production allows us to efficiently support our customers by delivering high quality products that meet all EU and UK Health and Safety compliance regulations that are relevant to every working environment.



# IN-HOUSE PRODUCTION OF BESPOKE POWER MODULES

Our manufacturing plant runs under strict, high-quality UK production standards and in accordance with International standards. ABL holds the following certificates for quality system management:

- ISO 9001:2015 Quality Control Management
- BSI/ British Standards BSI 5733:2010+A1:2014
- IEC 60884-1:2002 + A1:2006
- IEC 60884-2-7:2011 + A1:2013

We pride ourselves on the quality of our products, and, to ensure they are manufactured to the highest standards, we adhere to BS5733:2010, allowing our customers to have complete confidence in our products.



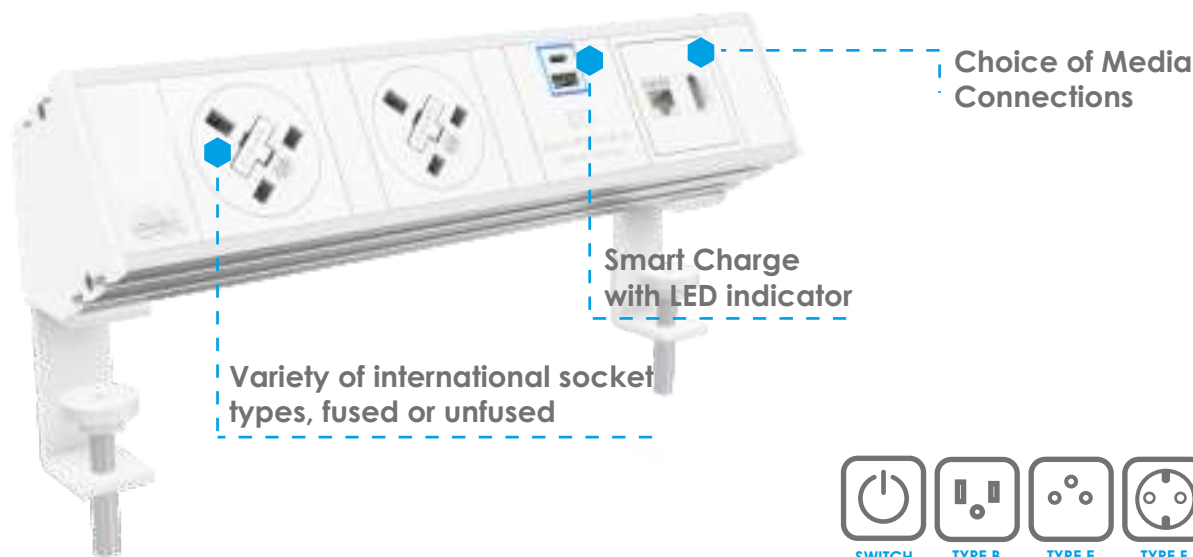
**KM 686563  
BS 5733**



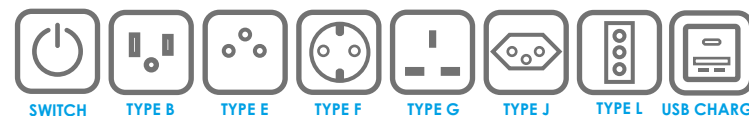
# BUILD YOUR OWN POWER MODULE

You are able to design your own power module with ABL. With a wide choice of power sockets, our products can be used throughout multiple countries. The sockets can be supplied with 3.15A or 5A fuses or unfused. We can even provide power modules containing different socket types.

Our USB Charge Socket A&C Type uses Qualcomm 3.0 Smart Charge, which enables the port to “talk” to the plugged in device, and only provide the optimal amount of power needed to re-charge it! It will never overcharge or overheat, and it will prevent draining your device's battery life span prematurely. Our USB-C power delivery can even charge larger devices, with up to 30W available.



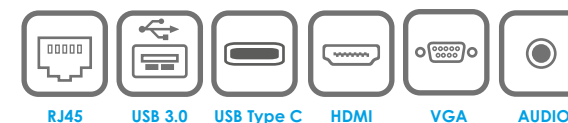
## POWER SOCKETS



## EASY STEPS FOR CHOOSING YOUR POWER MODULE:

- How many sockets would you like, and which type?  
Up to six power sockets
- Do you require USB Smart Charging?.
- Do you require RJ45 Data, USB 3.0, HDMI, VGA and audio?
- Switch with on/off indicator available as an option for power modules with UK sockets

## MEDIA CONNECTIONS



# IMP SYSTEM

**T**echnology is ever changing, with new trends and devices available monthly. Over the recent decades we have seen mobile phones, used only for basic communication, replaced with Smart Phones which can be updated and customised to our own specifications. This has enabled us to condense many former devices; calculators, cameras, MP3 players, computers and many more, into one compact unit. The same has been seen with AV and Data connections. VGA was superseded with HDMI, USB C will, in time, replace USB A whereas USB data transfer port has reached its third generation.

**D**oes this mean that, with each new development, we have to replace the whole system that our devices interact with?

---

Our new system of Interchangeable Multimedia Plates (IMP), means you won't have to replace an entire product when you wish to add new, or replace existing data or audio-visual connections. It enables module replacement with great ease, without the use of special tools or competent person, extending the lifecycle of your products, and providing a future proof solution.

---

Both IMP system and all modular parts are manufactured in-house to ensure compliance with British and EU Standards. This recognition of consistent quality and performance signifies reduced risk for the purchaser and the end-user; and when surveyed, consumers have stated that the Kitemark provides trust and reassurance in the company's products.

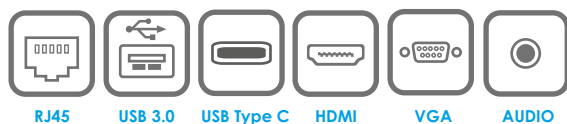


# IMP SYSTEM

Our Interchangeable Multimedia Plate System (IMP) allows for the media connections to be changed at any point without the use of tools. Simply specify the connections you would like, and click the IMP plates in. If your media connection needs changing, you simply need to replace the media plate, not the whole module. You can even have a Blank carrier in case you wish to add media to your module in the future. This is a great way to keep your module up to date and reduce electrical waste.



## MEDIA CONNECTIONS THAT CAN BE INSTALLED INTO IMP CARRIERS



# SMART CHARGE

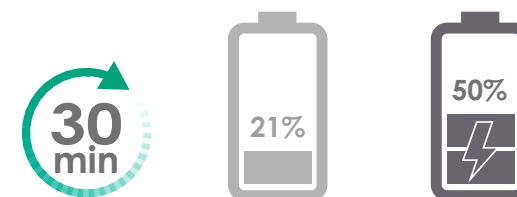
The ABL USB Smart Charge is among the top three chargers on the market. Our Smart Charge uses device recognition technology to supply the correct amount of power to re-charge your device as quickly and safely as possible. It will never overcharge or overheat, and will prevent draining your device's battery life span prematurely. You will never again need to worry about leaving your device plugged in – it's the ultimate power management solution!



PD - ENABLED	CABLE	CHARGING TIME	CHARGING POWER
iPhone 11/12	Lightning to USB-C	50% in 30 mins	18W or higher
iPhone X	Lightning to USB-C	50% in 30 mins	18W or higher
iPhone 8/8 Plus	Lightning to USB-C	50% in 30 mins	18W or higher
iPad Pro	Lightning to USB-C	50% in 60 mins	27W or higher

**USB A: 2.4A max**  
**USB C: 30W PD 3.0 & QC 3.0**

**i** With up to 30W of power available, USB-PD can charge smartphones, tablets and even smaller laptops.



**Standard  
5W/1A**

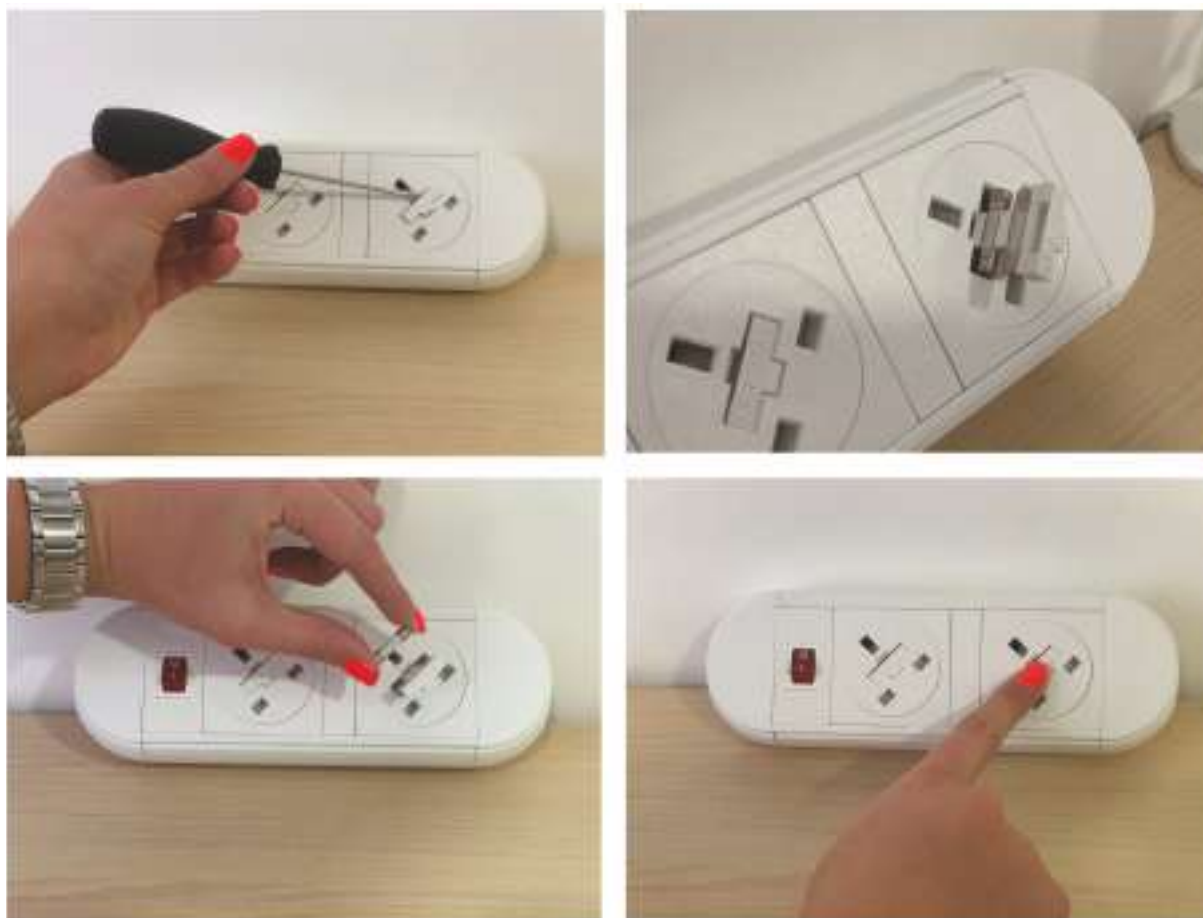
**Fast charge  
for iPhone**



# SPARE FUSE


Aside from complying with British standards, every single one of ABL's power modules with G socket type – 3.15A and 5A, are equipped with a spare fuse in each socket that is patented to ABL.

Easily replace your spare fuse by simply sliding the fuse holder with a 5mm flat screwdriver and replace it. No special tools or skills are required, and it takes less than 20 seconds! .....



**WARNING!**

Any item of equipment rated in excess of 5 Amp, **MUST** have a separate power supply, therefore items such as Vacuum Cleaners, Kettles, Coffee Makers and Fan Heaters should not be connected



The above lists serve as a guide only and are not exhaustive.

### 3.15 Amp Fuses

### 5 Amp Fuses



## RESETTABLE FUSE

Fuses are used for many reasons in electrical products, however the main reason is for safety. A fuse provides protection from short circuits, overcurrent, and other faults.

One of the most common reasons a fuse can trip is overloading. This is often caused by an appliance which demands a higher current than the circuit is designed for. In serious cases, overloading can lead to damage to the power supply, the appliance, and even electrical fires. It is therefore extremely important that the correct fuses are in place to make sure that this does not happen!

The most common type of fuse is a cartridge fuse. You will be familiar with them from most plugs in your home, seeing them rated at 3A, 5A and 13A. When a traditional cartridge fuse blows, the internal wire melts away due to the heat caused by the resistance in the circuit. The fuse is rendered broken, and a new fuse has to be inserted to allow the circuit to be connected again.



# WHAT IS A RESETTABLE FUSE?

Power units in the workplace commonly use a 3.15 A fuse. This is because it gives the best protection to expensive devices such as laptops, tablets and phones, which all draw a relatively low current. It is common however for devices which draw a lot more power to be plugged into on desk units unknowingly. Appliances such as vacuum cleaners, heaters, fans and many others will demand a higher level of current, which will easily blow a 3A fuse. The next user of the power unit is then left with sockets which do not work. This can be extremely frustrating, especially if you are already low on your laptop battery and you don't notice it is not charging up!

Unlike a traditional fuse, a resettable thermal fuse will not have to be replaced once the fuse has blown. Like the cartridge fuse, a resettable fuse senses the heat in the circuit, however when the resettable fuse reaches its limit, the internal wire does not melt away, it moves out of alignment to break the circuit. By pressing the reset switch, the circuit will be reconnected and power will once again be able to flow.

Thermal fuses on your desktop power unit time can provide many benefits. Time can be saved locating the replacement fuses, which can quite easily be misplaced or 'put somewhere safe.' You won't have to go looking for tools needed to access the spent fuse, and insert the new fuse. Money can also be saved on new fuses, and the delivery for the replacements over time. This is great for the individual user, however when there are hundreds, if not thousands of fused sockets in the workplace, the benefits are magnified. Huge amounts of the working day can be saved by the facilities management team responsible for those power units. It also means you can get back to charging your device again, without delay or interruption!





## FAQ RELATED TO BS6396:2008

<b>How many sockets can I run from one plug on the wall?</b>	Up to six (3.15 A)
<b>What equipment can I plug into the socket?</b>	Anything with a voltage below 250V and a current rated below 5A i.e. computer, lamp, fax machine and laptop.
<b>What makes these modules different to domestic extension blocks?</b>	Modules are individually fused and comply with BS 6396:2008. They are, therefore, suitable for use in office and educational environments. Our latest Smart Charge facilities also allow users to charge their devices with peace of mind knowing that no overcharge will take place.
<b>How long can the power leads be?</b>	As long as you like (within reason) – provided there is a maximum of 2M of cable visible outside of the furniture.
<b>Do the modules need to be fixed in position?</b>	Yes, fixing points are provided with each unit (clamps in the case of Desk Top Modules). Cables should be clamped securely at point of entry to furniture and where cables connect.
<b>So do I need an electrician to install these electrics?</b>	BS:6396 does NOT require a qualified electrician to install these units, as our electrics are simple plug and play. Instruction leaflets are provided with power modules and can also be found at <a href="http://www.abl-ltd.com">www.abl-ltd.com</a> .
<b>What sort of equipment can't I use?</b>	<p>Please do not plug the following items into ABL power modules: Hoovers, Fan heaters, Kettles, Hair straighteners and Toasters to name a few.</p> <p>If you are unsure please contact our sales team on 01933 400080 (UK &amp; Ireland) or 00381 32 420 100 (the EMEA region)</p>

A blue-tinted photograph of a conference room. In the foreground, a wooden conference table is visible. On the table, there is a power strip with several white cables plugged into it. To the left, a laptop is open, and to the right, another laptop is partially visible. In the background, several office chairs are arranged around the table. The entire image has a strong blue color cast.

**03**

**Power  
Modules**



## PMK

under desk power module



PMK provides a neat and compact solution to your under desk power requirements. PMK is supplied with central fixings to enable the module to be screwed to the underside of the desk or the modesty panel as required.

### Application



OFFICE



EDUCATION



LEISURE

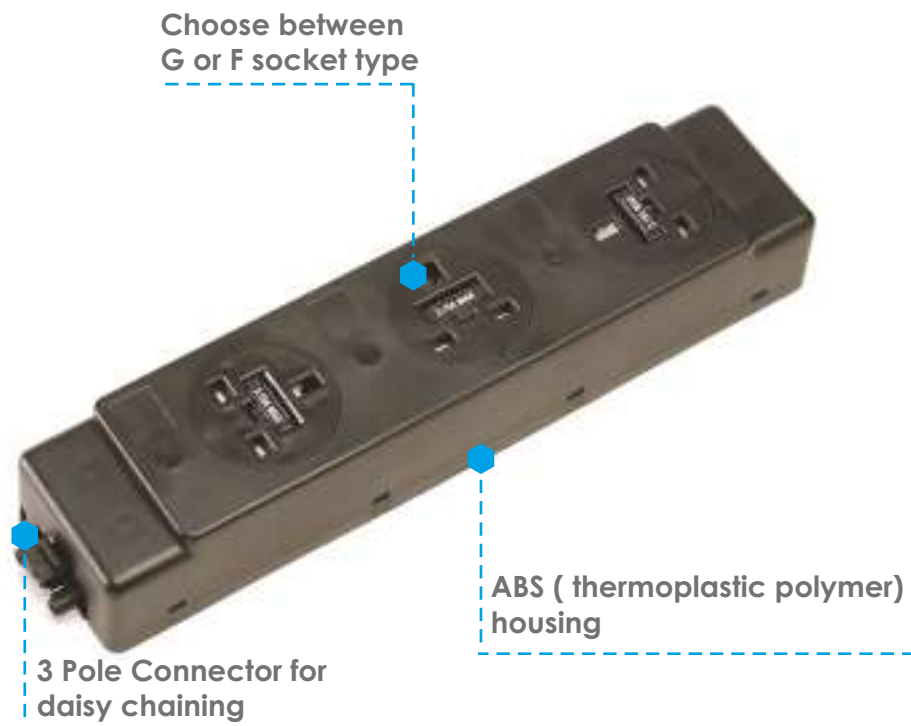


HEALTHCARE

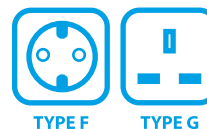


HOME OFFICE

# PRODUCT SPECIFICATION



## AVAILABLE SOCKET TYPES



## AVAILABLE COLOURS

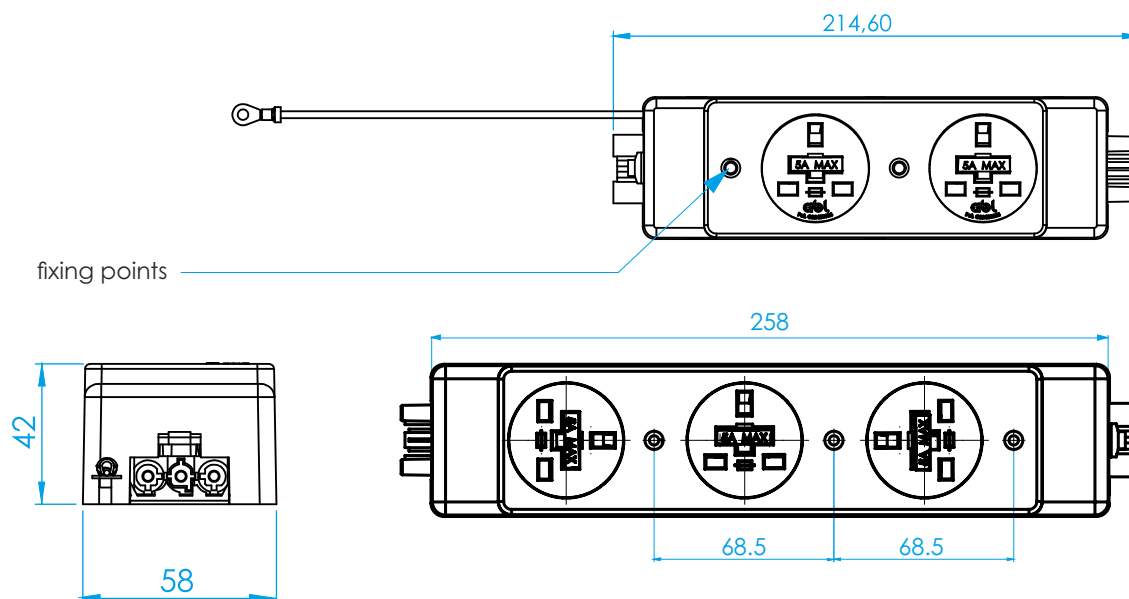
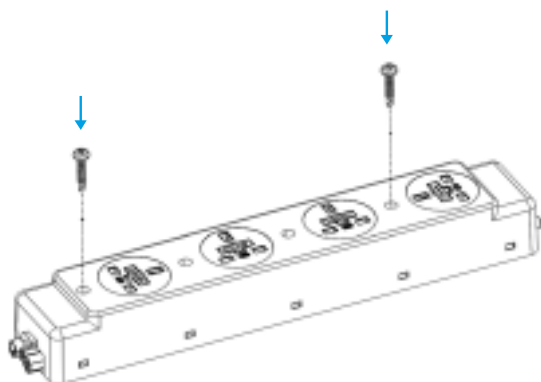


- BSI Kitemark Certified – KM686563 for 13Amps socket
- G type sockets Individually fused with 3.15A fuse
- Central fixings
- 3 Pole connector
- PMK under desk is available in two, three or four power sockets.
- The IMP system is not applicable on this device.

# INSTALLATION AND DIMENSIONS

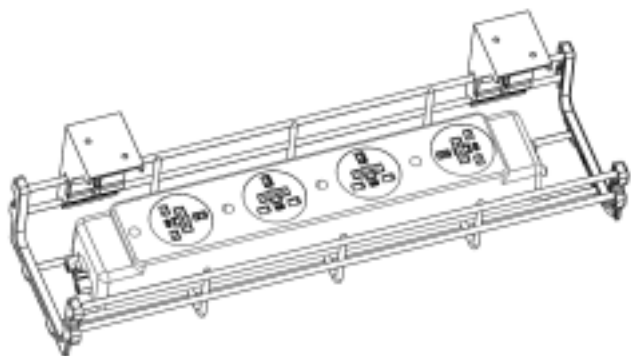
## OPTION 1 - FIXING ONTO A FLAT SURFACE

Place the screws according to the designated positions on the module.



## OPTION 2 - FIXING INTO A WIRE BASKET

Simple place the module into the wire basket



### 2M603202

Black Power Module  
2xUK sockets 3.15A  
Power Entry/Exit via 3 Pole connectors

### 2M603303

Black Power Module  
3xUK sockets 3.15A  
Power Entry/Exit via 3 Pole connectors

### 2M603404

Black Power Module  
4xUK sockets 3.15A  
Power Entry/Exit via 3 Pole connectors





## UDM

under desk power module



UDM is an easily installed, under desk power module in Black. It is custom made, allowing the choice of different socket types, cutting edge USB smart charge and RJ45 media connection to be installed. The integrated 3 Pole Connector allows daisy chaining with multiple UDM modules or other similar devices, up to six sockets max.

### Application



OFFICE



EDUCATION



LEISURE

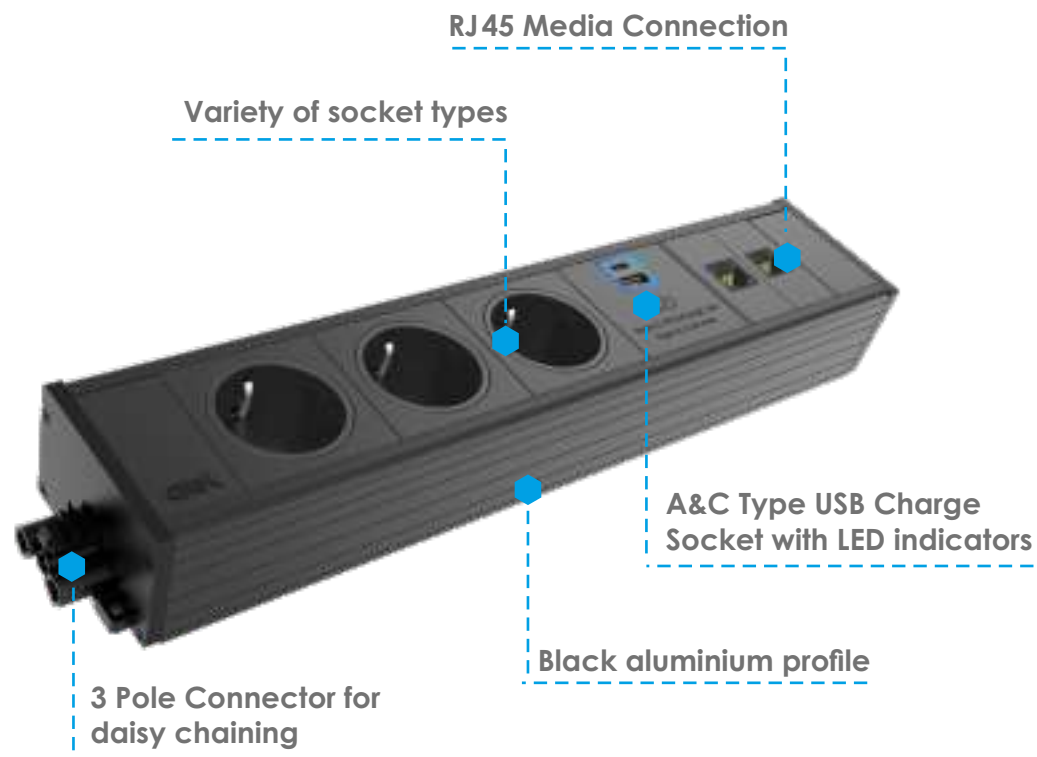


HEALTHCARE



HOME OFFICE

# PRODUCT SPECIFICATION



## AVAILABLE SOCKET TYPES



## AVAILABLE MEDIA CONNECTIONS



## AVAILABLE COLOURS

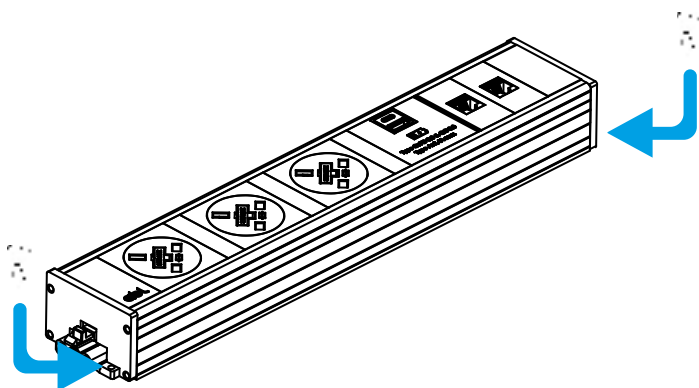


- BSI Kitemark Certified – KM686563 for 13A sockets (UK)  
IEC 60884-1:2002 + A1:2006, IEC 60884-2-7:2011 + A1:2013 (Europe)
- The module is available in Black, with Black aluminium profile
- Available in up to six sockets, USB charge sockets and RJ45 media connections
- G type sockets Individually fused with 3.15A fuse to comply with BS6396
- Fixing points on both side caps
- Integrated 3 Pole connector for Daisy Chaining

# INSTALLATION AND DIMENSIONS

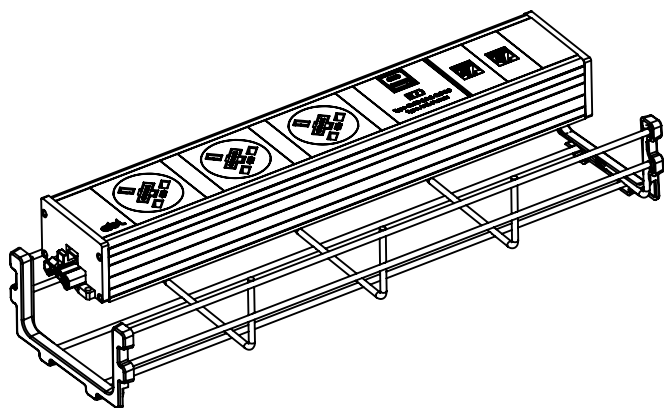
## OPTION 1 - FIXING ONTO A FLAT SURFACE

Check the screw fixing points on the module. Fixate using the screws provided according to the designated positions on the fixators.



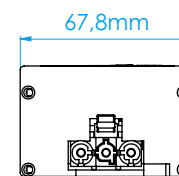
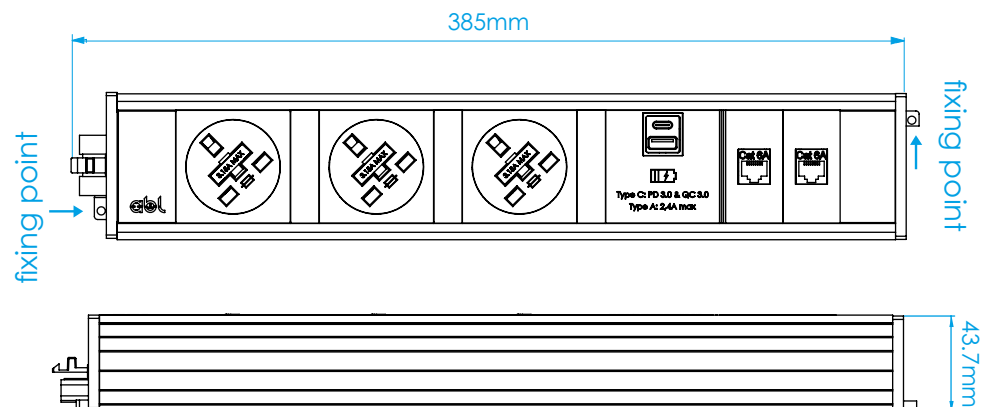
## OPTION 2 - FIXING INTO A WIRE BASKET

Simply place the module into the wire basket



## NOTE

- The module length depends on the required configuration and socket type.



### 2M403305

Black Power Module  
 3xUK sockets 3.15A  
 1xSC (A+C)  
 2xRJ45 Cat6A  
 Power Entry via 3 Pole Connector



## Link

under desk power module



Link is a custom made under desk solution. Completely configurable with a choice of various Socket types, USB charge socket and media connections. It is available in Black and White, with Silver profile and the integrated 3 Pole Connector which allows daisy chaining to multiple Link modules or other similar devices, (up to a maximum of six sockets).

### Application



OFFICE



EDUCATION



LEISURE

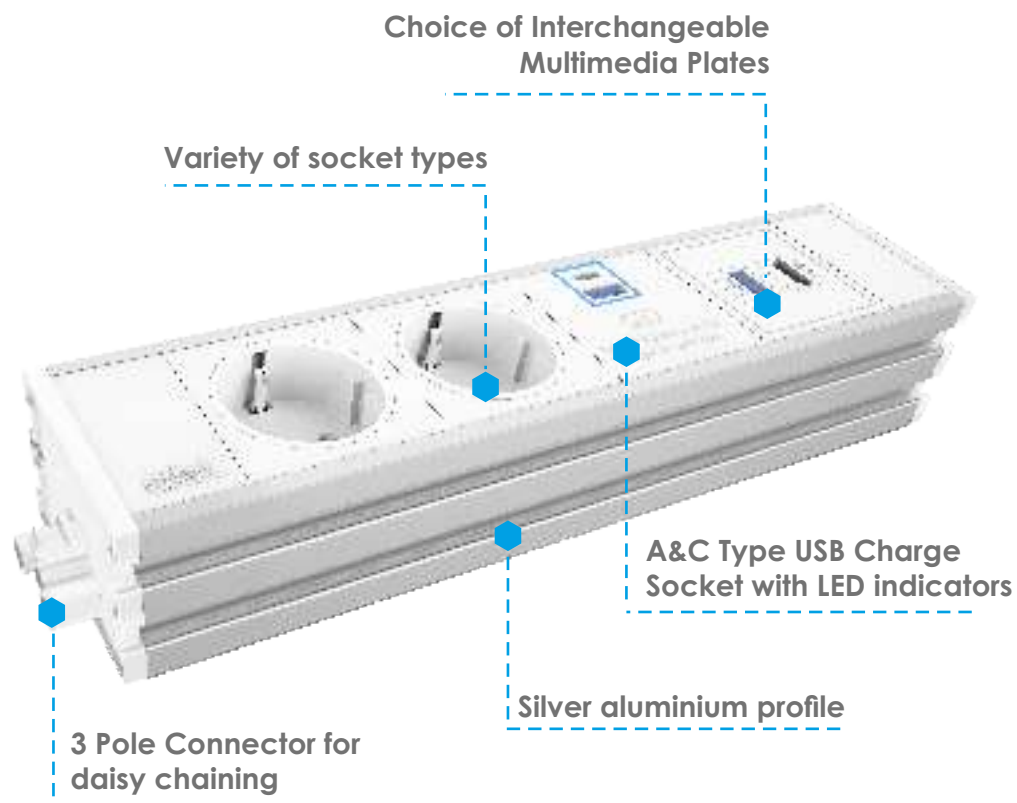


HEALTHCARE

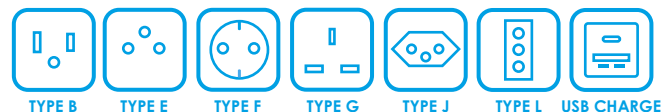


HOME OFFICE

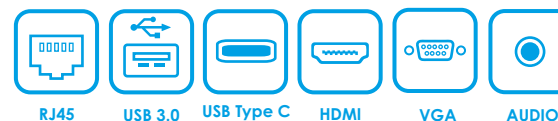
# PRODUCT SPECIFICATION



## AVAILABLE SOCKET TYPES



## AVAILABLE MEDIA CONNECTIONS



## AVAILABLE COLOURS

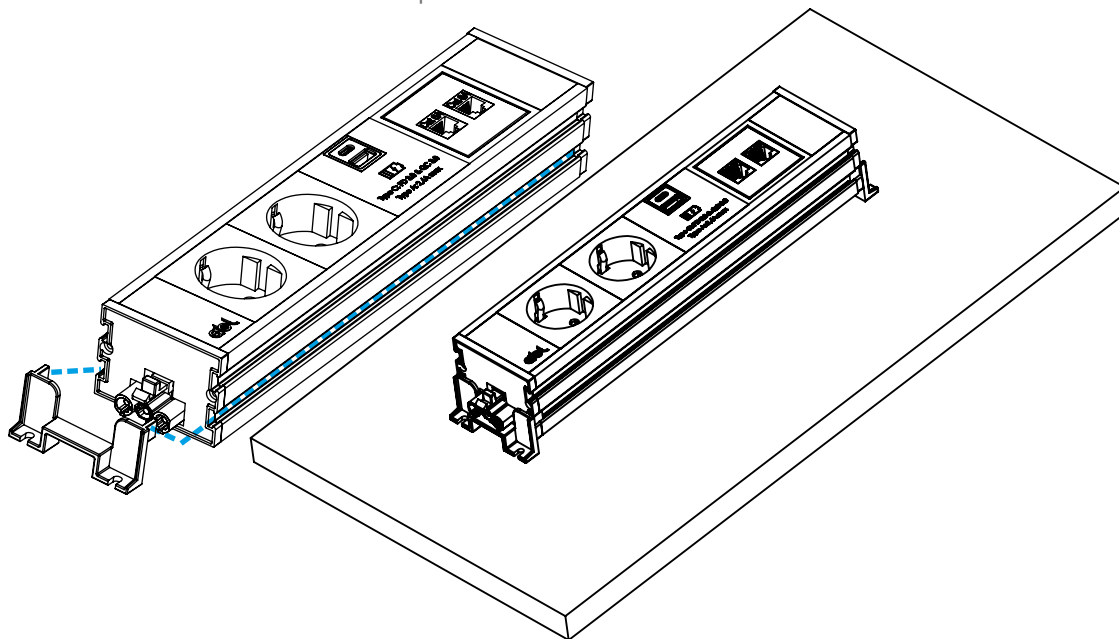


- The unit complies with BS5733 KM686563 for 13A sockets (UK)  
IEC 60884-1:2002 + A1:2006, IEC 60884-2-7:2011 + A1:2013 (Europe)
- The module is available in Black or White, with silver aluminium profile
- Available in up to six sockets, USB charge sockets and media connections
- G type sockets are Individually fused with 3.15A or 5A fuse to comply with BS6396
- Integrated 3 Pole connector for Daisy Chaining
- When used with ABL Conference Top Access, it is perfectly suitable for meeting rooms

# INSTALLATION AND DIMENSIONS

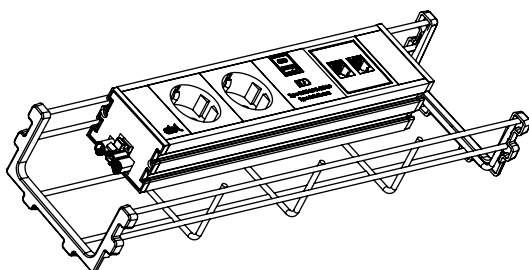
## OPTION 1 - FIXING ONTO A FLAT SURFACE

1. Slide the brackets into the profile indents



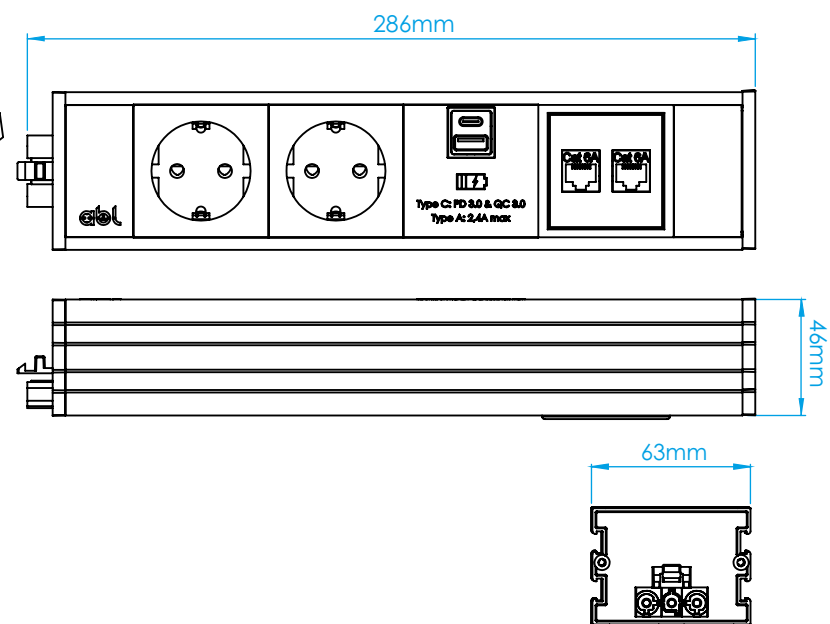
## OPTION 2 - FIXING INTO A WIRE BASKET

Simply place the module into the wire basket



## NOTE

- The module length depends on the required configuration and socket type.



### 2M210204

White Power Module, Silver Profile  
2xSchuko Sockets  
1xSC (A+C) 1xTunnel

### 2T0110UH

Double Keystone IMP White with 1xUSB 3.0, 1xHDMI





## TRM

on desk power module



TRM is the latest addition to our on desk power module range. Its futuristic appearance will perfectly blend in with any modern office design. Available in Black and White, with two Socket and A+C smart charge while the resettable 3A thermal fuses provide extra safety. Two data ports in the middle allow the choice of data keystone.

### Application



OFFICE



EDUCATION



LEISURE

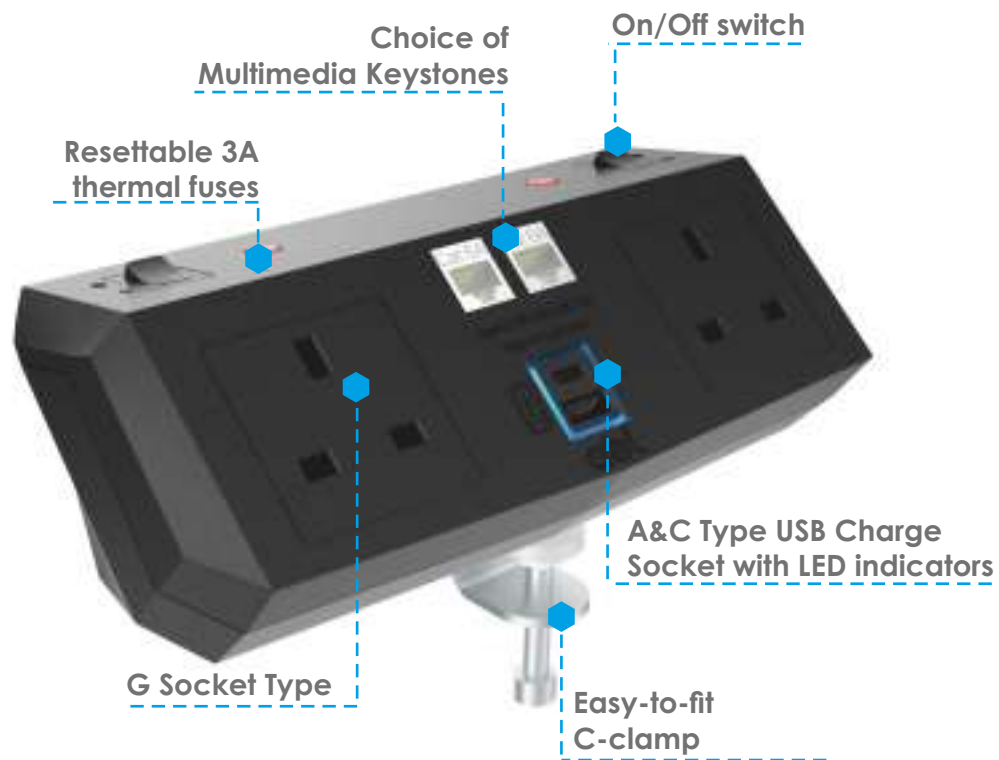


HEALTHCARE

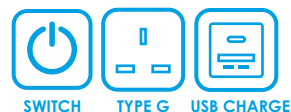


HOME OFFICE

# PRODUCT SPECIFICATION



## AVAILABLE SOCKET TYPES



## AVAILABLE MEDIA CONNECTIONS



## AVAILABLE COLOURS

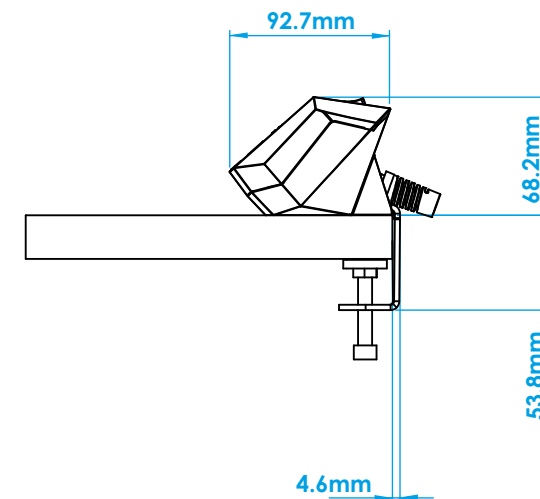
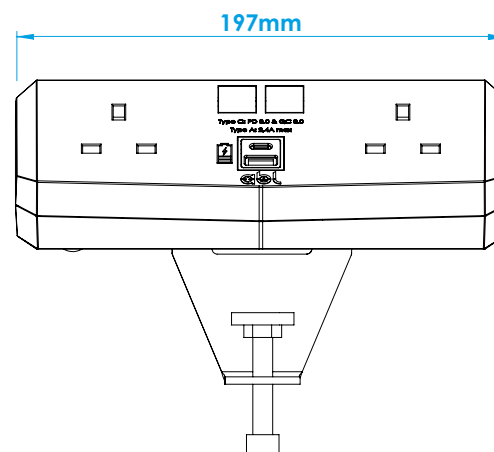
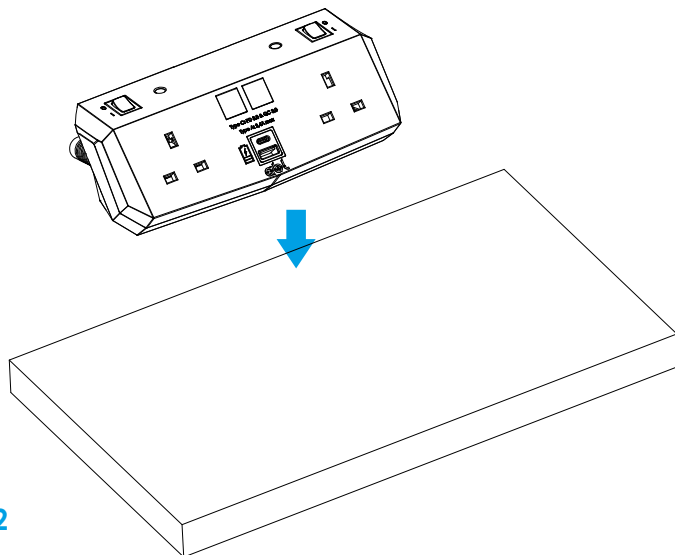


- BSI Kitemark Certified BS 5733, KM686563
- Available in Black and White
- Two G type sockets have resettable 3A thermal fuses and individual ON/OFF switches
- Smart Charge features A+C Type, PD 3.0 & QC 3.0
- Two multimedia blanks can include RJ45 Cat6A, USB 3.0 or HDMI couplers
- The module uses easy-to-fit C-clamp
- Designed to fit desk thickness between 15-45mm
- All standard options come with 0.5m drop lead to 3 Pole Connector

# INSTALLATION AND DIMENSIONS

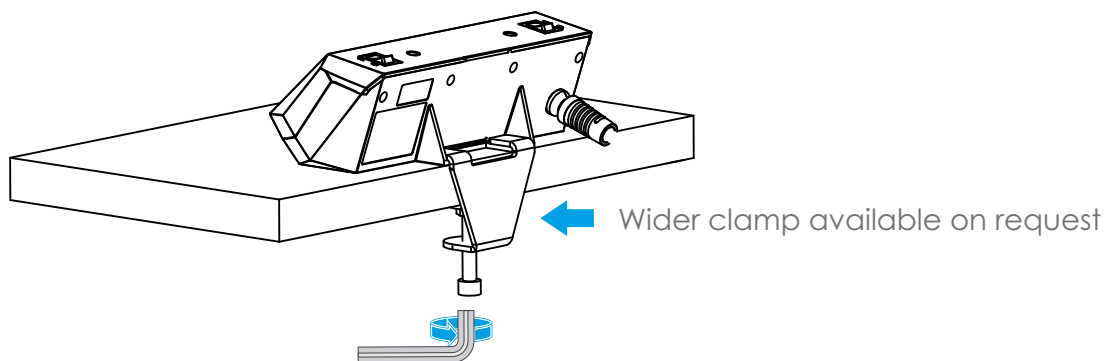
## STEP 1

Place the module onto the edge of the desk.



## STEP 2

Place the clamp onto the back of the module and tighten it using Allen Key.



### 2A60T200

Black Power Module  
2xUK Sockets with Thermal Resets  
1xSC (A+C)

### 2A61T202

White Power Module  
2xUK Sockets with Thermal Resets  
1xSC (A+C)  
2xRJ45 Cat6A

## Chroma

on desk power module



on desk

Chroma on desk power module offers power when you need it via its selection of Smart Charge and power socket ports. Chroma is supplied with data and media connections which allows the end user to connect various devices quickly and efficiently.

### Application



OFFICE



EDUCATION



LEISURE



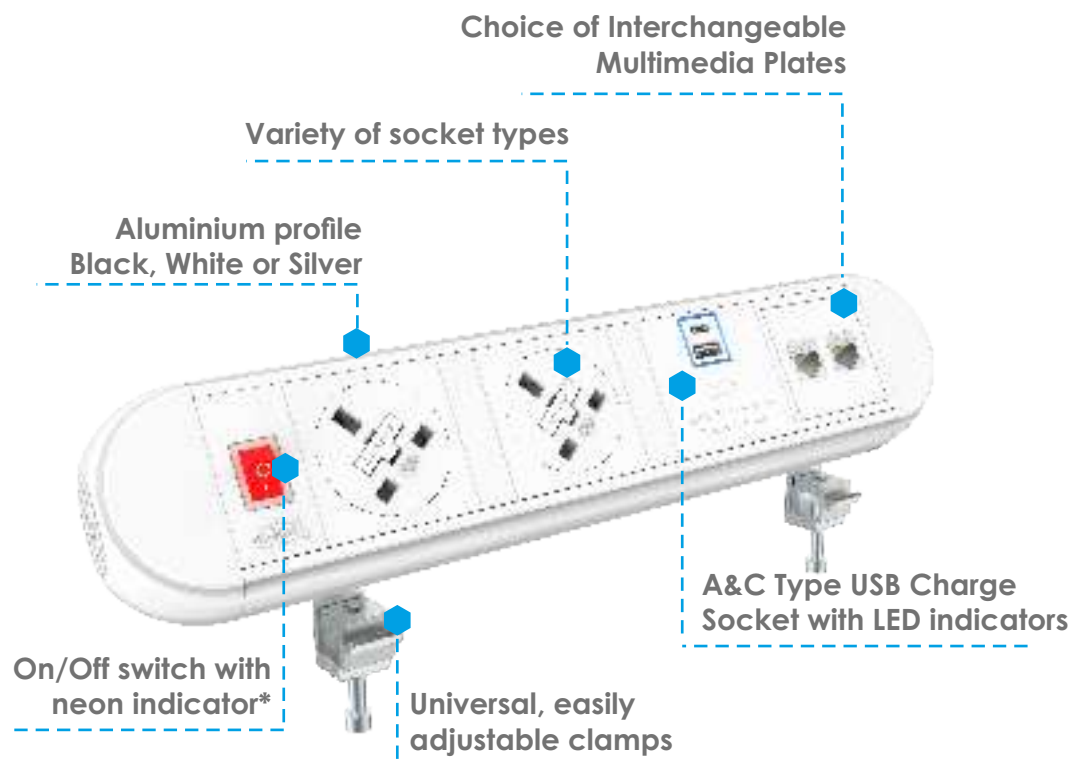
HEALTHCARE



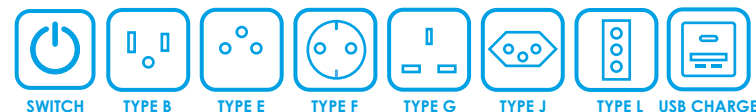
HOME OFFICE



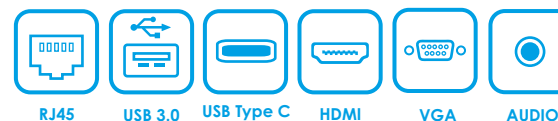
# PRODUCT SPECIFICATION



## AVAILABLE SOCKET TYPES



## AVAILABLE MEDIA CONNECTIONS



## AVAILABLE COLOURS

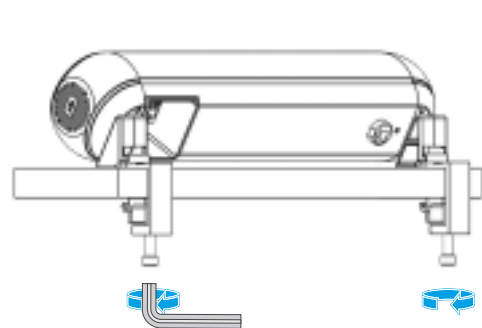


- BSI Kitemark Certified – KM686563 for 13A sockets (UK)  
IEC 60884-1:2002 + A1:2006, IEC 60884-2-7:2011 + A1:2013 (Europe)
- The module is available in Black or White, with Silver, Black or White aluminium profile
- Completely configurable, available in up to six sockets, USB charge sockets and media connections
- G type sockets are Individually fused with 3.15A or 5A fuse to comply with BS6396
- The module uses universal clamps that can be installed either on top of the desk or under desk
- Designed to fit desk thickness between 10 and 34mm
- All standard options come with 0.5m drop lead to 3 Pole Connector

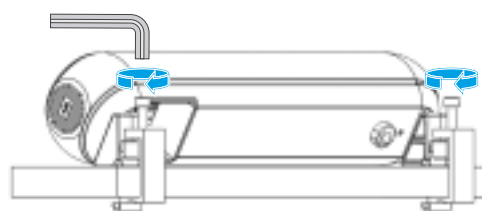
# INSTALLATION AND DIMENSIONS

## FIXING ONTO A FLAT SURFACE

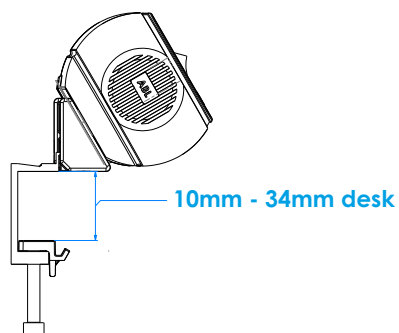
1. Place the module onto a flat surface and place the clamps on the brackets - under desk or top fix
2. Use Allen Key to tighten the clamp onto the desk



Under desk fix



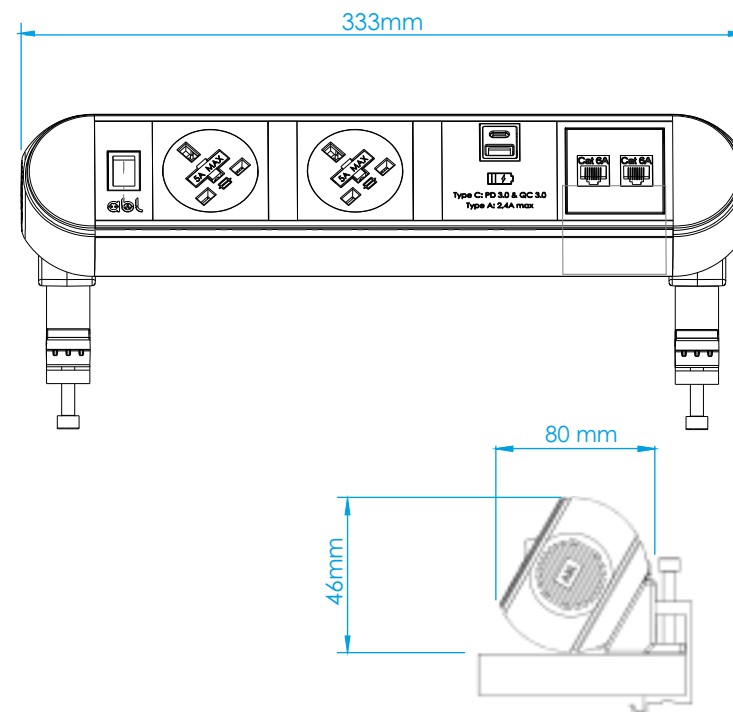
Top fix



10mm - 34mm desk

## NOTE

- The module length depends on the required configuration and socket type.



### 2A0132D4

White Power Module, White Profile  
 2xUK Sockets  
 1xSC (A+C)  
 1xTunnel with Double Keystone IMP White with 2xRJ45





## Flexi

on desk power module



Flexi is a new on desk power module that features a square design by ABL. It will fulfill any desired specification as it offers a variety of power socket types, USB Charge Socket and our new, Interchangeable Multimedia Plate system. The metal side cap with clamps give this product an elegant touch and enables easy installation.

### Application



OFFICE



EDUCATION



LEISURE

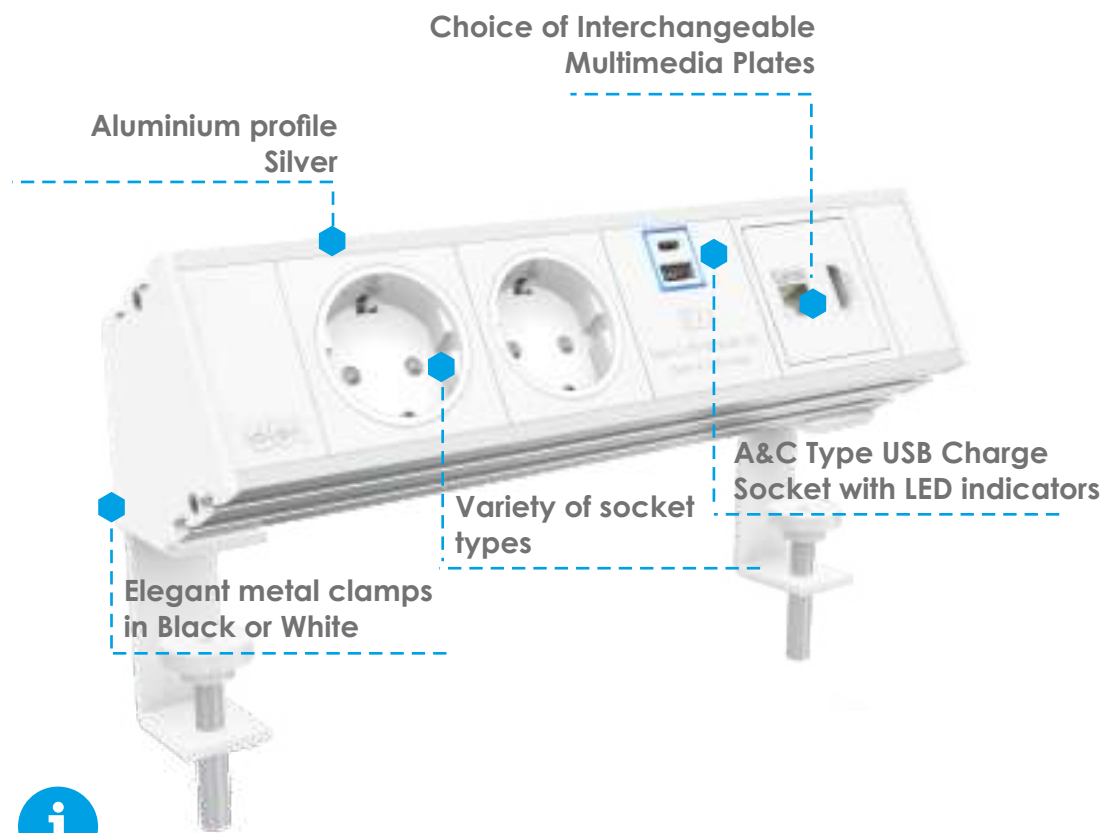


HEALTHCARE

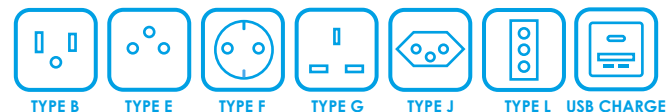


HOME OFFICE

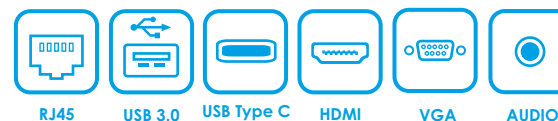
# PRODUCT SPECIFICATION



## AVAILABLE SOCKET TYPES



## AVAILABLE MEDIA CONNECTIONS



## AVAILABLE COLOURS

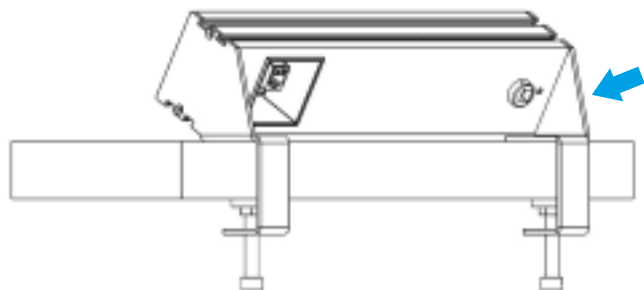


- The unit complies with BS5733, KM686563 for 13A sockets (UK)  
IEC 60884-1:2002 + A1:2006, IEC 60884-2-7:2011 + A1:2013 (Europe)
- Elegant, Silver aluminium profile: modular parts and metal clamps are available in Black or White
- Completely configurable, available in up to six sockets, USB charge sockets and media connections
- G type sockets are Individually fused with 3.15A or 5A fuse to comply with BS6396
- The module uses elegant, metal clamps that can be installed under the desk
- Designed to fit desk thickness between 15 and 40mm
- All standard options come with 0.5m drop lead to 3 Pole Connector

# INSTALLATION AND DIMENSIONS

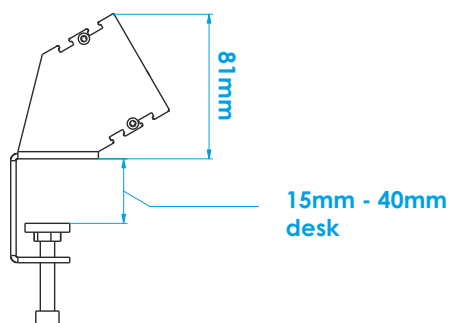
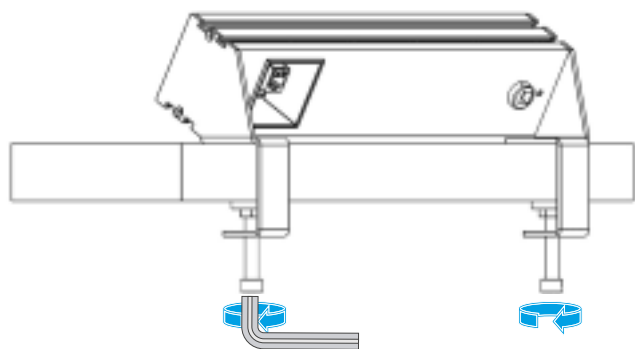
## STEP 1

Place the module onto the edge of the desk.



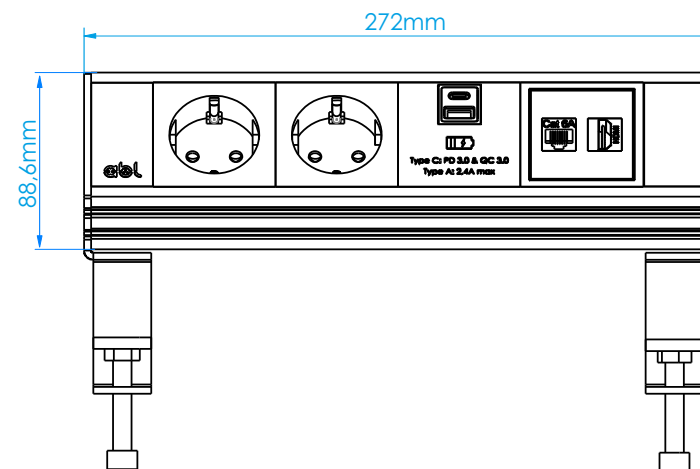
## STEP 2

Use Allen Key to tighten the module onto the desk.



## NOTE

- The module length depends on the required configuration and socket type.



### 2A210204

White power module, Silver Profile  
2xSchuko socket  
1xSC (A+C)

### 2T0110DH

Double Keystone IMP White with RJ45, 1xHDMI

## Level

in desk power module



in desk

Incorporating various power socket options and multimedia, makes the Level in desk power module an ideal solution for meeting tables, desks, booths or pods.

## Application



OFFICE



EDUCATION



LEISURE



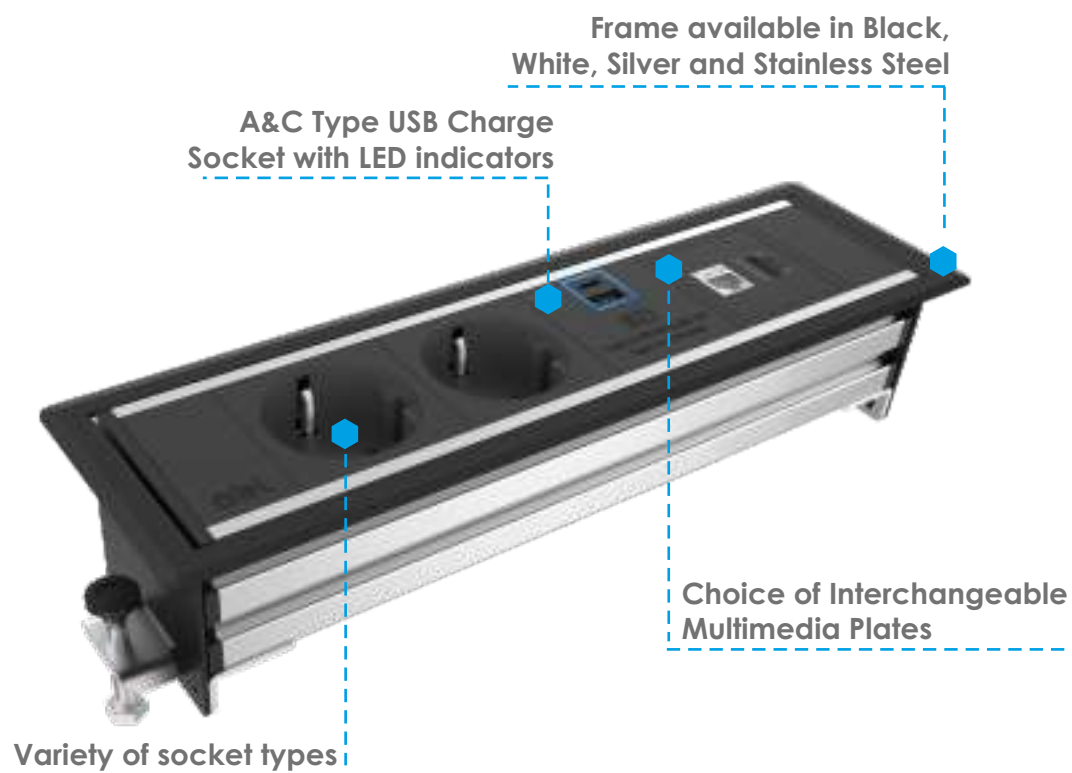
HEALTHCARE



HOME OFFICE

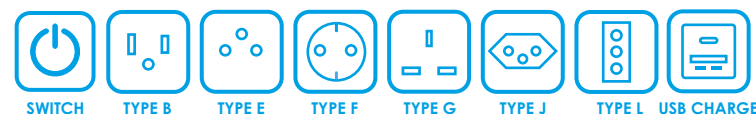


# PRODUCT SPECIFICATION

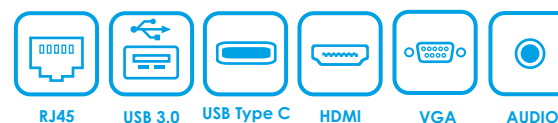


- The unit complies with BS5733, KM686563 for 13A sockets (UK)  
IEC 60884-1:2002 + A1:2006, IEC 60884-2-7:2011 + A1:2013 (Europe)
- Elegant frame is available in Black, White, Silver and Stainless Steel look
- Modular parts are available in Black and White, profile in Silver only
- G type sockets are Individually fused with 3.15A or 5A fuse to comply with BS6396
- Available in three sizes: MIN, MID and MAX
- Designed to fit desk thickness between 15 and 35mm
- All standard options come with 0.5m drop lead to 3 Pole Connector \*Switch is available only with G socket type.

## AVAILABLE SOCKET TYPES



## AVAILABLE MEDIA CONNECTIONS



## AVAILABLE COLOURS FOR FRAME



## AVAILABLE COLOURS FOR MODULAR PARTS

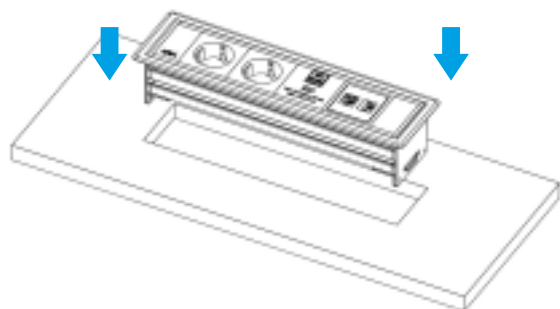




# INSTALLATION AND DIMENSIONS

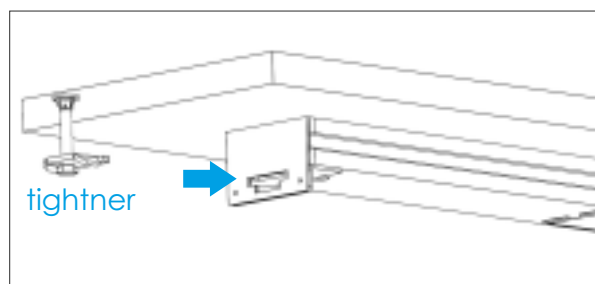
## STEP 1

Place the module into the table cut-out.



## STEP 2

Place the tightener onto the opening of the frame.

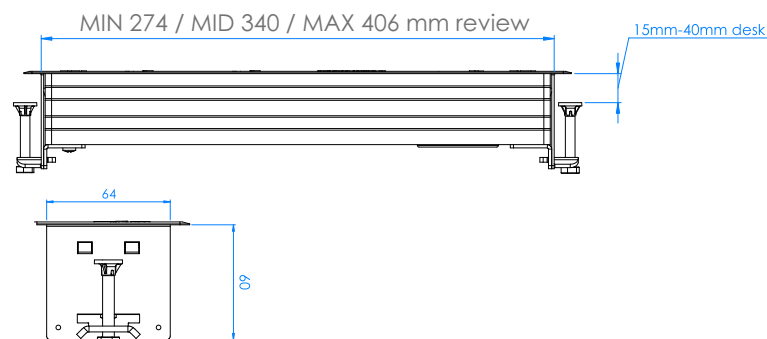
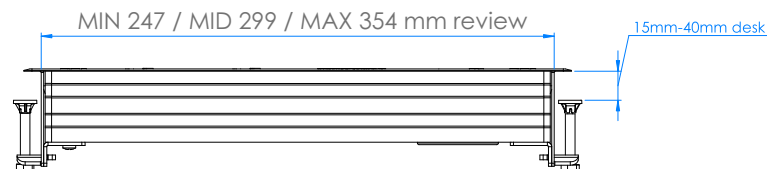


## STEP 3

Tighten the module using 10 inches spanner.



**NOTE:** ● The module length depends on the required configuration and socket type.



### G SOCKET TYPE

<b>MIN</b>	Three sockets or tunnels
<b>MID</b>	Four sockets or tunnels
<b>MAX</b>	Five sockets or tunnels

### Table cut out

255mm x 67mm
322mm x 67mm
388mm x 67mm

### OTHER SOCKET TYPES

<b>MIN</b>	Three sockets or tunnels
<b>MID</b>	Four sockets or tunnels
<b>MAX</b>	Five or six sockets or tunnels

### Table cut out

229mm x 67mm
281mm x 67mm
335mm x 67mm





## Aero Flip in desk power module



Aero Flip in desk power module is perfect for your boardroom table, available in a variety of configurations including Smart Charge, CAT6 data, HDMI and USB to name a few.

### Application



OFFICE



EDUCATION



LEISURE



HEALTHCARE

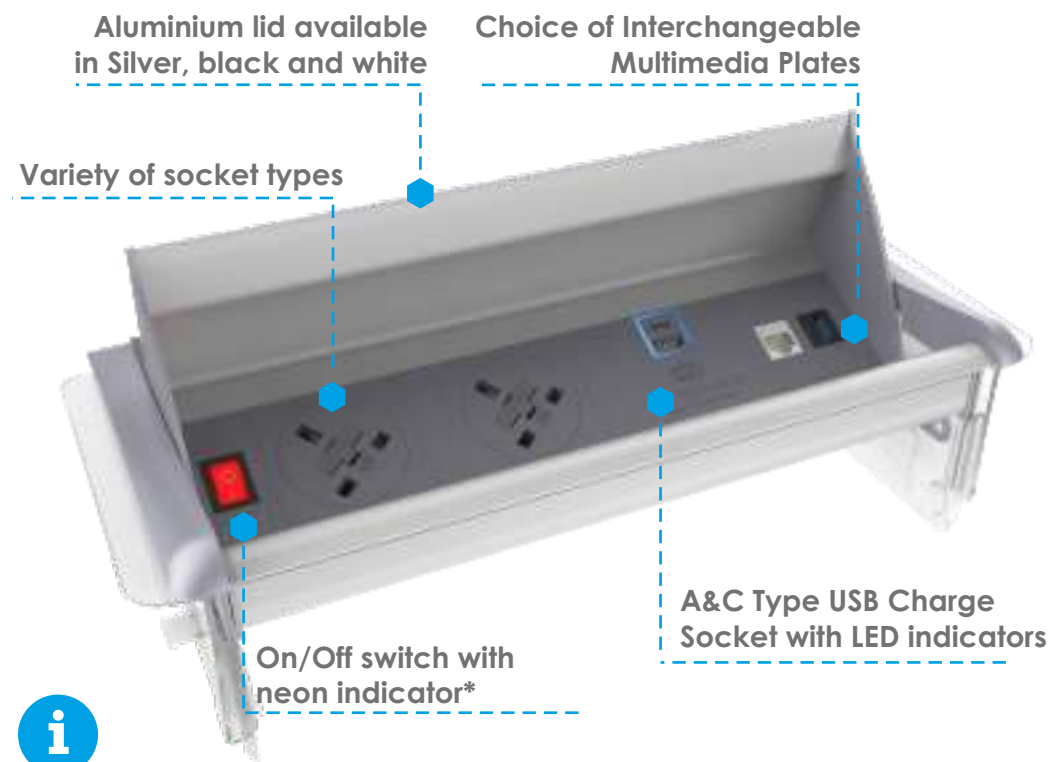


HOME OFFICE

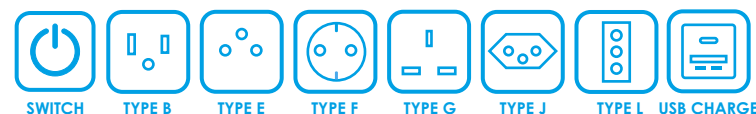
MADE IN  
EUROPE



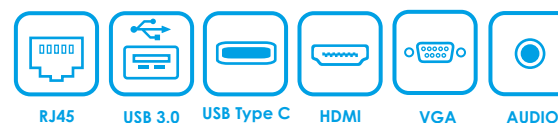
# PRODUCT SPECIFICATION



## AVAILABLE SOCKET TYPES



## AVAILABLE MEDIA CONNECTIONS



## AVAILABLE COLOURS



- BSI Kitemark Certified – KM686563 for 13A socket, IEC 608841:2002 + A1:2006, vIEC 6088427:2011 + A1:2013 (Europe)
  - The Aluminium lid and modular parts are available in Grey, Black and White
  - Completely configurable, available in up to six sockets, USB charge sockets and media connections
  - G type sockets are Individually fused with 3.15A or 5A fuse to comply with BS6396
  - Designed to fit desk thickness between 15 and 35mm
  - All standard options come with 0.5m drop lead to 3 Pole Connector
- \*Switch is available only with G socket type.

# INSTALLATION AND DIMENSIONS

## NOTE

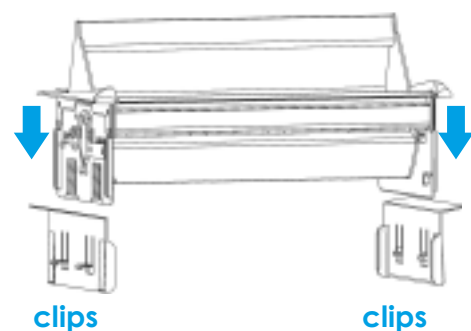
Before making a cut-out, please contact your supplier to provide you with a technical drawing with the required table cut-out dimensions. Ensure that there is a sufficient clearance, 150mm below surface and 30mm between the cut-out edge and the edge of the work surface.

## NOTE

- The module length depends on the required configuration and socket type.

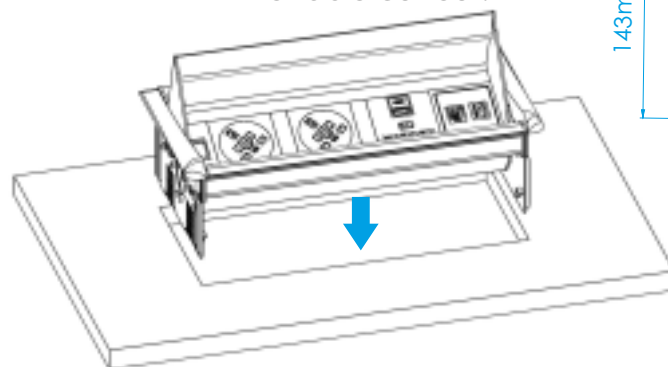
### STEP 1

Lift the clips and slide the side tighteners down.



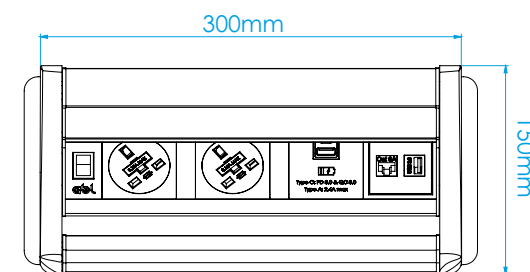
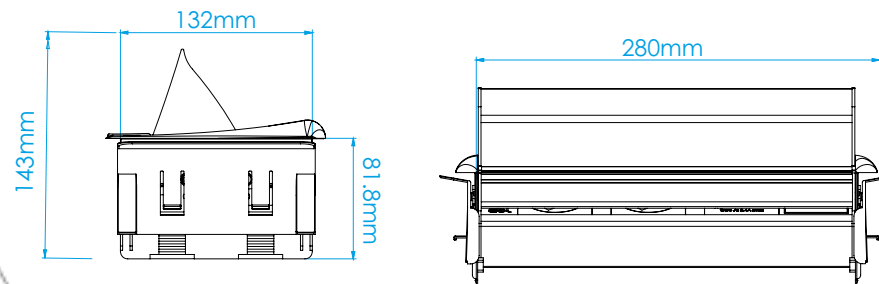
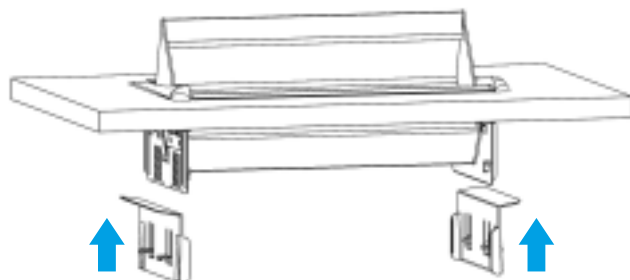
### STEP 2

Place the module into the table cut-out.



### STEP 3

Pull the sliding clips back up until the module is tightened to the table.



### 2F023204

Grey Power Module, Silver Profile  
1xSwitch 2xUK Sockets 3.15A  
1xSC (A+C) 1xTunnel

### 2T0210DU

Double Keystone IMP Grey with 1xRJ45 Cat6A, 1xUSB 3.0



## Port EI

in desk power module



in desk

Charge your device the smart way with the Port EI range from ABL. Port EI is the in-desk Grommet power module designed to fit into a standard 80mm port hole in the desk. With a range of available configurations, Port EI is an excellent fit for any office or conference room!

Power, design, and connectivity right where you need it.

### Application



OFFICE



EDUCATION



LEISURE



HEALTHCARE

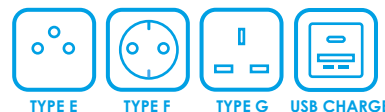


HOME OFFICE

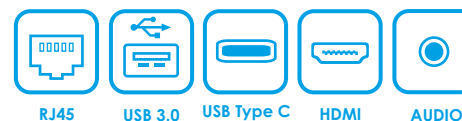
# PRODUCT SPECIFICATION



## AVAILABLE SOCKET TYPES



## AVAILABLE MEDIA CONNECTIONS



## AVAILABLE COLOURS



- BSI Kitemark Certified – KM686563 for 13A sockets (UK)  
IEC 60884-1:2002 + A1:2006, IEC 60884-2-7:2011 + A1:2013 (Europe)
- Elegant, aluminium ring is Silver; modular parts available in White, Grey and Black
- Available configuration: one socket, one smart charge and up to two media connections
- G type sockets are Individually fused with 3.15A or 5A fuse to comply with BS6396
- Designed to fit into a 80mm port hole and desk thickness between 15 and 45mm
- Locking ring enables quick installation and fitting with no effort



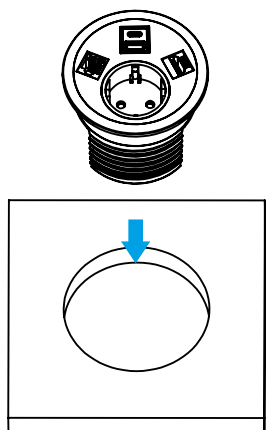
# INSTALLATION AND DIMENSIONS

## NOTE

Ensure that there is a sufficient clearance, 150mm below surface and 30mm between the cut-out edge and the edge of the work surface.

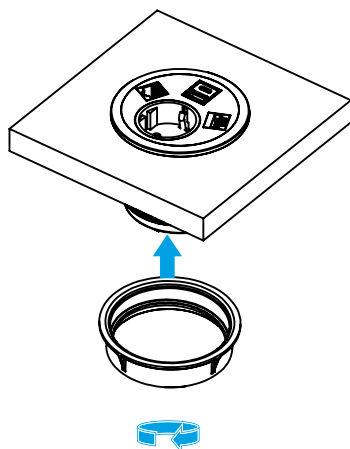
### STEP 1

Place the module in the desk cut-out.



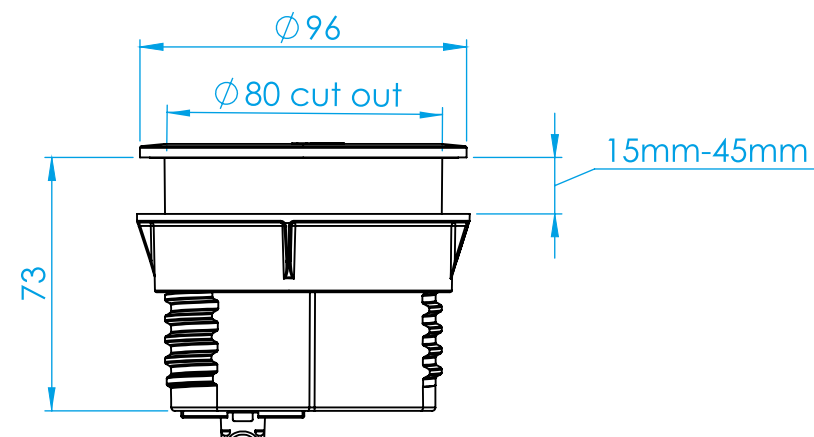
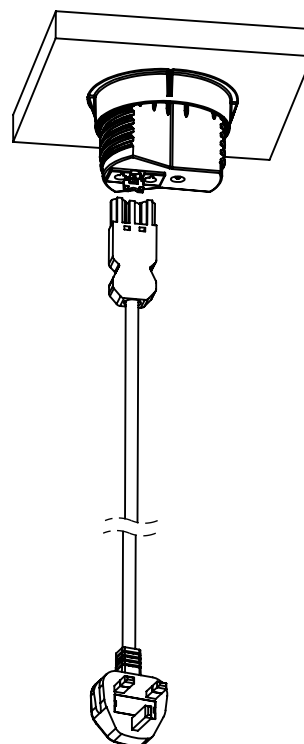
### STEP 2

Whilst twisting the locking ring, set the module orientation.



### STEP 3

Connect the mains lead with the 3 Pole Connector.



**2F210117**  
 White Power Module  
 1xSchuko Socket  
 1xSC (A+C)  
 1xRJ45,Cat6A 1xHDMI





## Conference

in desk power module



in desk

Conference Top Access & Housing is a perfect solution for boardrooms and meeting tables when you need to access power and media from both sides. Conference's low profile design allows the lid to close while devices are connected. The brushing system allows the cables to run out smoothly at the same time preventing dust ingress.

### Application

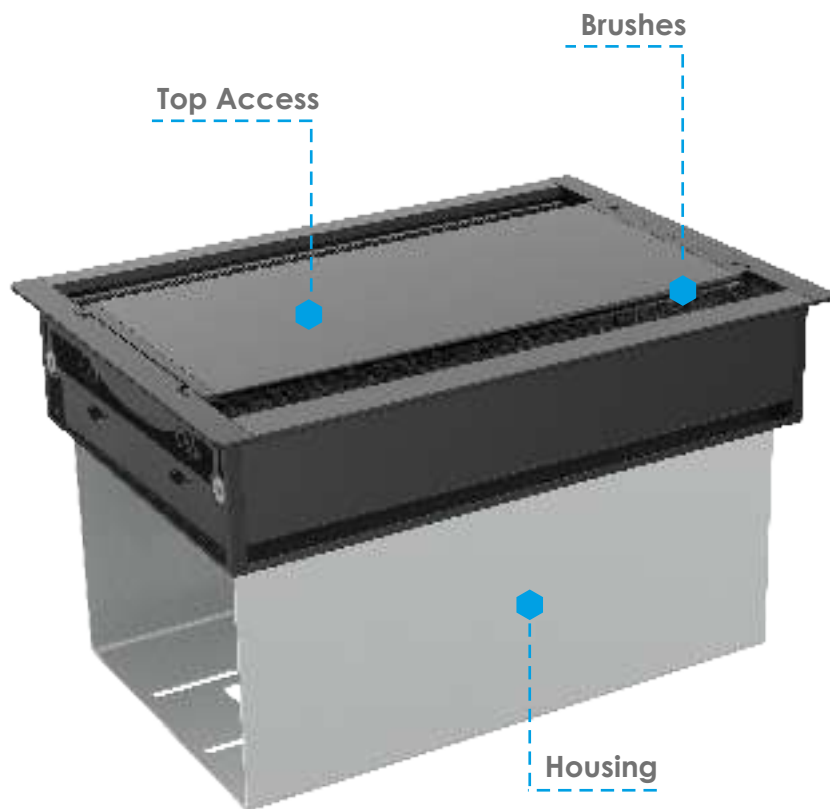


OFFICE



EDUCATION

# PRODUCT SPECIFICATION



- Link, the accompanying under desk power module, complies with BS5733, KM686563 for 13A sockets (UK), IEC 60884-1:2002 + A1:2006, IEC 60884-2-7:2011 + A1:2013 (Europe)
- Top Access is available in Silver, Black and White
- It is available in three dimensions: MIN, MID and MAX depending on the configuration.

## AVAILABLE CONFIGURATION

	G SOCKET TYPE	OTHER SOCKET TYPES
<b>MIN</b>	up to two sockets or tunnels	up to two sockets or tunnels
<b>MID</b>	up to four modules	up to four sockets or tunnels
<b>MAX</b>	v up to five sockets or tunnels	up to six sockets or tunnels

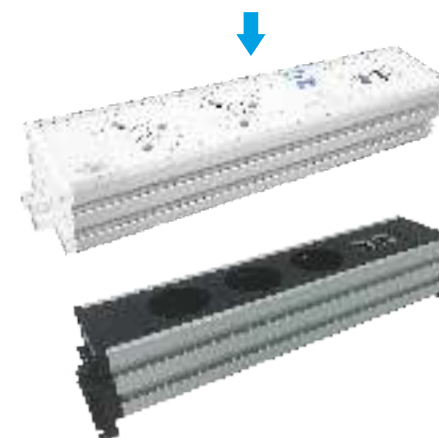
## AVAILABLE COLOURS



Top Access



inside module - Link



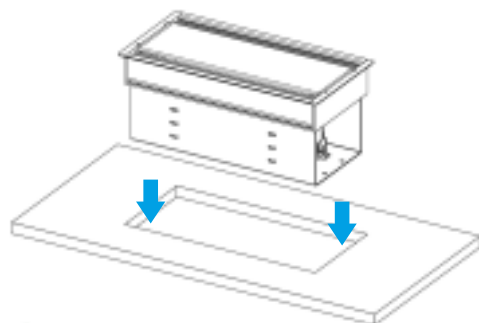
# INSTALLATION AND DIMENSIONS

## NOTE

Ensure that there is a sufficient clearance, 150mm below surface and 30mm between the cut-out edge and the edge of the work surface.

### STEP 1

Place the module in the desk cut-out.



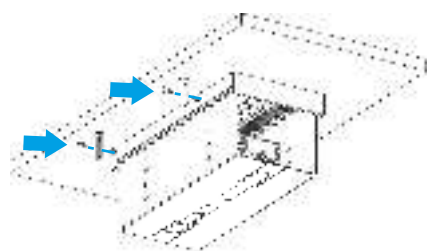
### STEP 2

Place the fixing point into the sliding cannal.



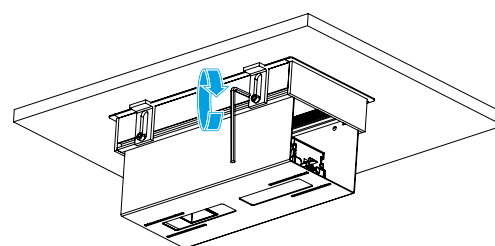
### STEP 3

Place the L tighteners onto the fixing points.



### STEP 4

Tighten the screws using Allen key.



MIN 247mm / MID 347mm / MAX 447mm

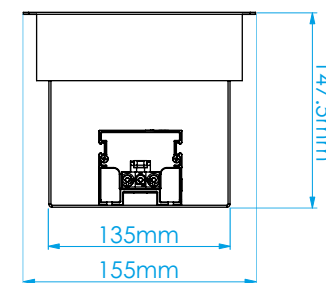
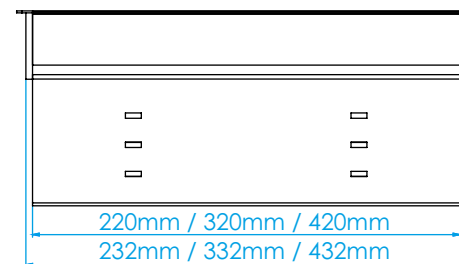
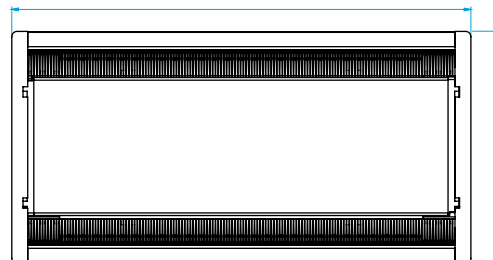





Table cut out 

MIN	MID	MAX
155mm x 233mm	155mm x 333mm	155mm x 433mm

- 

**2U200MIN**  
**2U200MID**  
**2U200MAX**
- 

**2U220MIN**  
**2U220MID**  
**2U220MAX**
- 

**2U210MIN**  
**2U210MID**  
**2U210MAX**

# CONNECTING POWER MODULES SAFELY

ABL manufacture a range of power modules designed to comply with BS6396 which allow our full range of power modules to be installed safely. Each power module be it in desk, on desk or under desk is tested to comply with relevant British standards and equipped with either a 3.15A or 5A fuse.

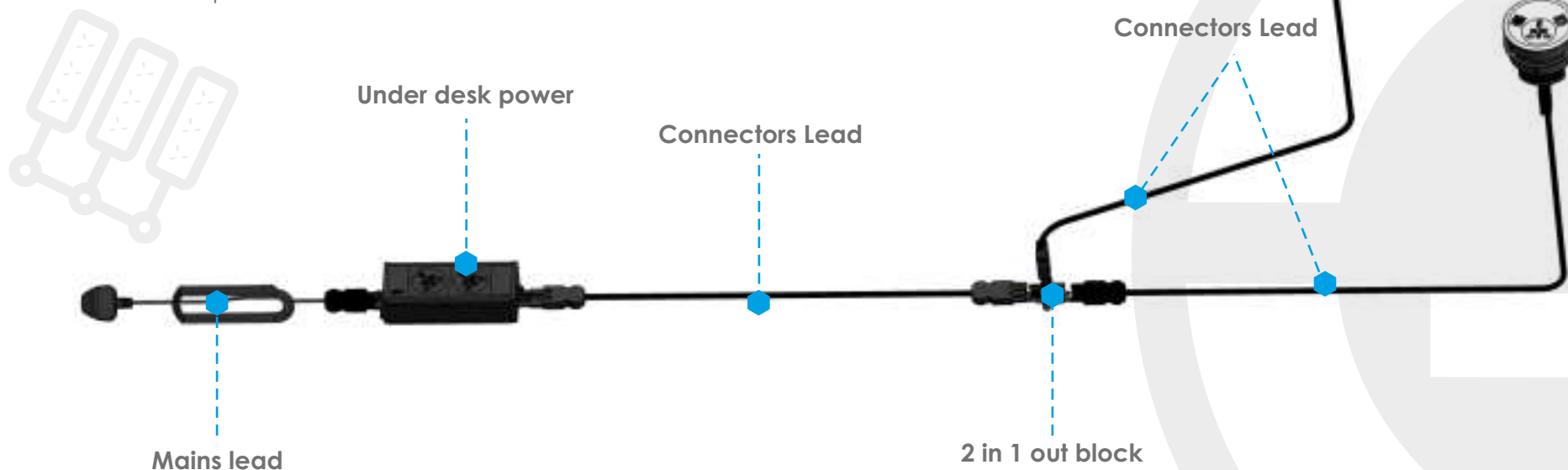
## DAISY CHAINING

Daisy chaining also known as series connection is a term that refers to power modules which are connected into other power modules to gain additional power sockets for the end user. ABL offer both a 3.15A and 5A in every power socket. 3.15A allows more power distribution across the 13A power socket, allowing more sockets to be connected.

- 5A – Maximum up to 4 sockets (see example below)
- 3.15A – Maximum 6 sockets (see example below)

### ABL Daisy chaining example for 5A

5A – Maximum up to 4 sockets

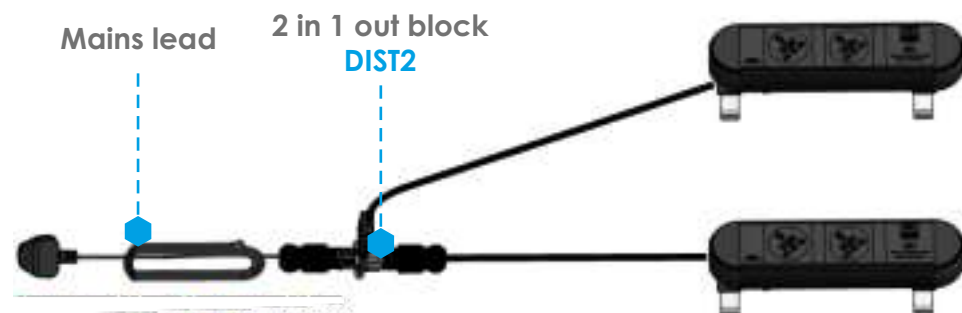


- Mains lead is always female connector to plug (choice of Schuko, G type...)
- Product out connector (PMK, UDM, Link, Port EI)/fly lead (TRM, Chroma, Flexi, Aero Flip, Level) is always male.

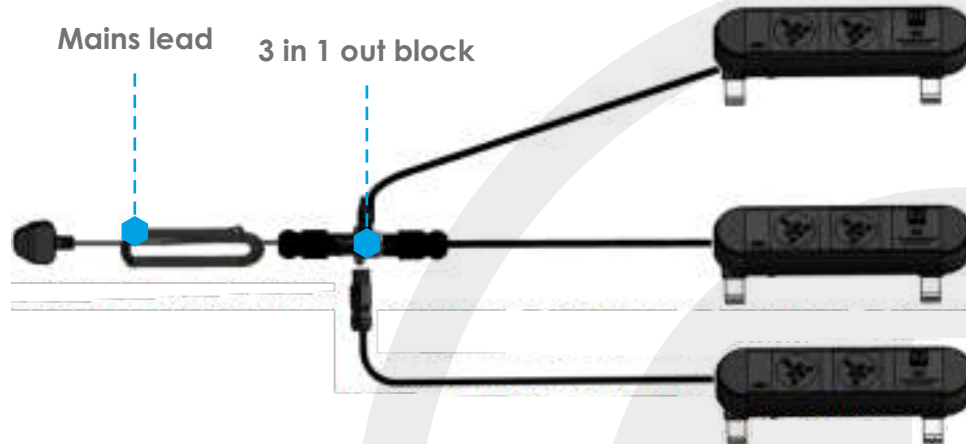
# CONNECTING POWER MODULES SAFELY

## ABL Daisy chaining example for 3.15 Amp

3.15 Amp – Maximum up to 6 sockets



5Amp Chroma power socket daisy chaining



3.15Amp Chroma power socket daisy chaining

- For PMK, UDM, Opus, Link and Port EI, use Connector lead for connecting with Mains Lead. For Daisy Chaining, use 2 in 1 distribution block (DIST2) between under desk power module and on/in desk power modules.
- For Chroma, Flexi, Aero Flip and Level connect directly its Drop lead to Mains lead, or use 2 in 1 distribution block (DIST2) for Daisy Chaining.



Electrical devices connected to one power supply should not exceed 5 Amp. Please see BS6396:2008 (pg 19) for more information. .





04

Monitor  
Arms



# Strela

## Flat screen monitor arm



ABL's Strela combines value and versatility into a single product solution. The aluminium arm creates a stylish and elegant look adding to any home or office décor. The flexible arm joint and rotating/tilting VESA plate allows the user to adjust the height and angle of monitors, offering the optimum viewing experience. Strela is ideal for virtually any application due to its' ability to easily rotate between portrait and landscape orientation.

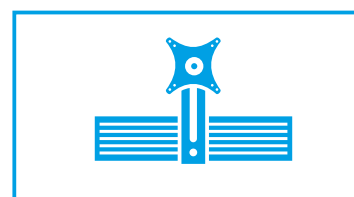


# PRODUCT SPECIFICATION

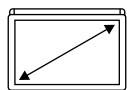


- 360° Rotary VESA Plate: for better viewing experience
- Free-Tilting Design: for multiple monitor viewing angles
- Built-in Cable Management: for an organised and neat workspace
- Aluminium Construction: provides a sleek, lighter, and elegant look
- Quick-Release VESA Plate: for easy installation
- Keyhole Pattern: allows easy installation
- Swiveling Arm(s): offer(s) maximum viewing flexibility

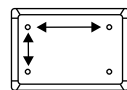
## AVAILABLE OPTIONS



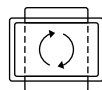
## AVAILABLE COLOURS



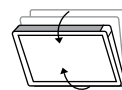
17"-32" (24")



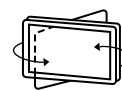
75x75 & 100x100



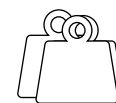
+180°~-180°



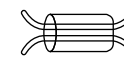
+30°~-30°



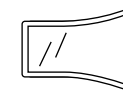
+90°~-90°



8kg

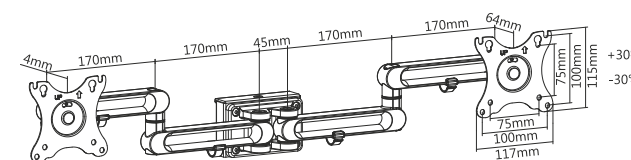
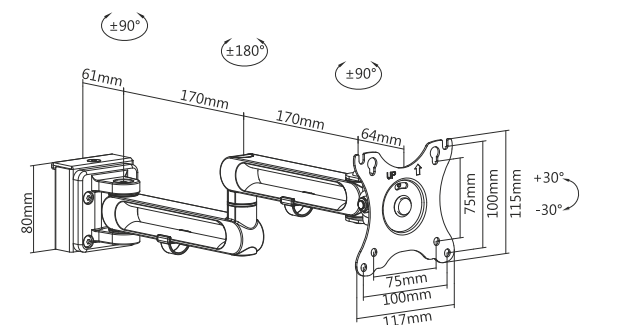
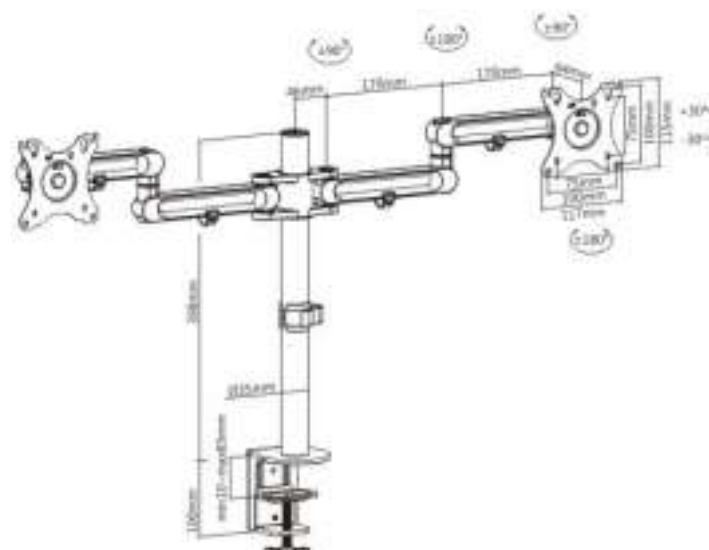
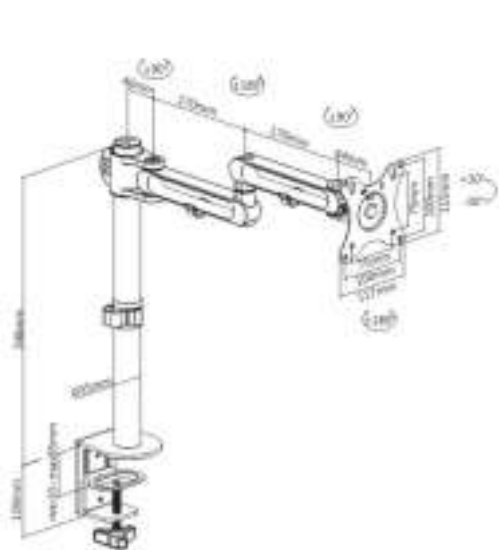


Yes



Yes

# INSTALLATION AND DIMENSIONS



- STRELA1BL**
- STRELA2BL**
- STRELA1SR**
- STRELA2SR**
- STRELA1WH**
- STRELA2WH**
- STRELA1TRWH**
- STRELA2TRWH**

**!** Strela Tool Rail is available only in white.

## FSA

### Flat screen monitor arm

---



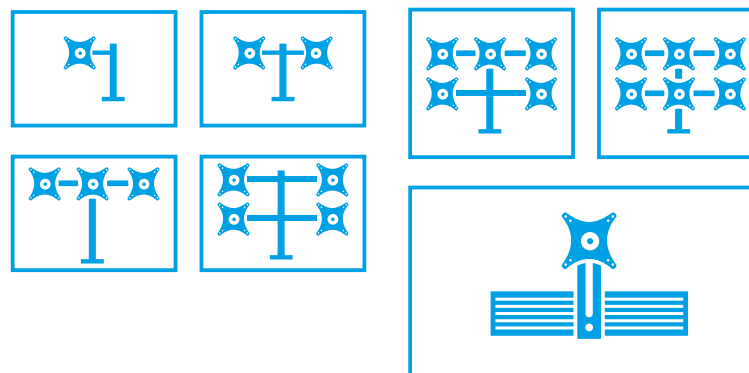
The well being of employees in the office space is becoming more vital, and the number one cause of lower neck pain is due to incorrect monitor positions. ABL are proud to offer a range of monitor arms designed to easily move and position the screen to the correct eye level. View our full range of FSA flat screen monitor arms.

# PRODUCT SPECIFICATION

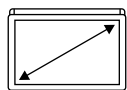


- Three Mounting Options: Clamp Fitting - Top fix and Under desk and Grommet Fitting
- WEEE No: WEE/JD006TX
- Cable Management clips
- Available in up to six arms and Tool Rail
- Load capacity 20kg for single/13kg per arm for double and 8kg per arm for three more arms.

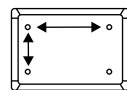
## AVAILABLE OPTIONS



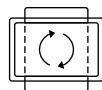
## AVAILABLE COLOURS



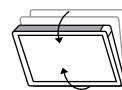
17"-30" (24")



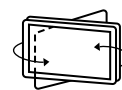
75x75 & 100x100



+360°~-360°



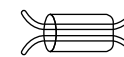
+80°~-80°



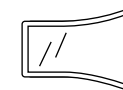
+110°~-110°



20kg (13kg)



Yes



Yes





## Sigma

Spring assisted monitor arm



ABL's flat screen monitor arm Sigma is a quick to assemble and easy to use monitor arm facilitating the needs of single or double monitors. The effortless design allows the installer to fit the arm in minutes and the rotation/swivel features make it easy to meet the needs of the end user, as they can place the screen at the correct height to avoid neck and back tension.

# PRODUCT SPECIFICATION

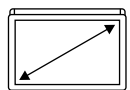


- Top fix installation and through desk bolt fitting included
- Smooth Arm Insertion: ensure easy installation
- Built-in Spring Tension Gauge: for perfect weight adjustments
- Spring-Assisted Mechanism: allows to easily move up and down
- Quick-Release VESA plate: for easy installation
- Cable management/Allen Key holder

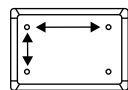
## AVAILABLE OPTIONS



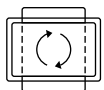
## AVAILABLE COLOURS



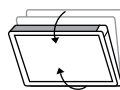
17"-32"



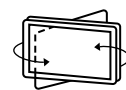
75x75 & 100x100



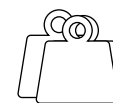
+90°~-90°



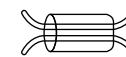
+90°~-90°



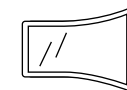
+90°~-90°



8kg

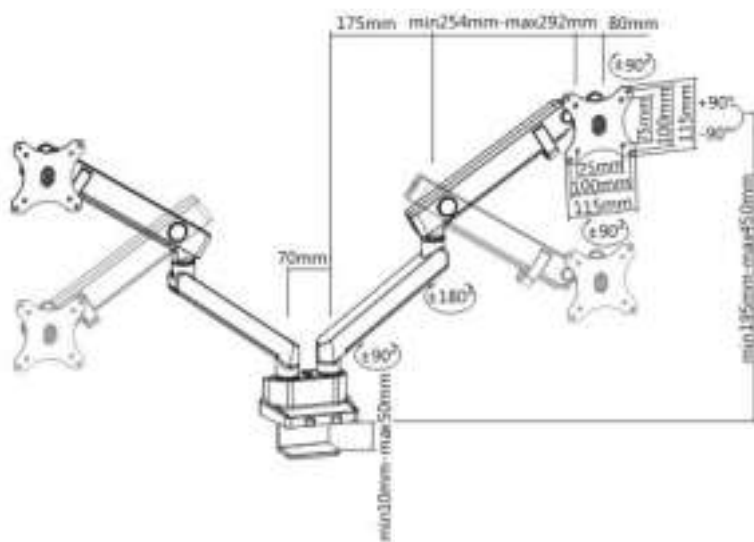
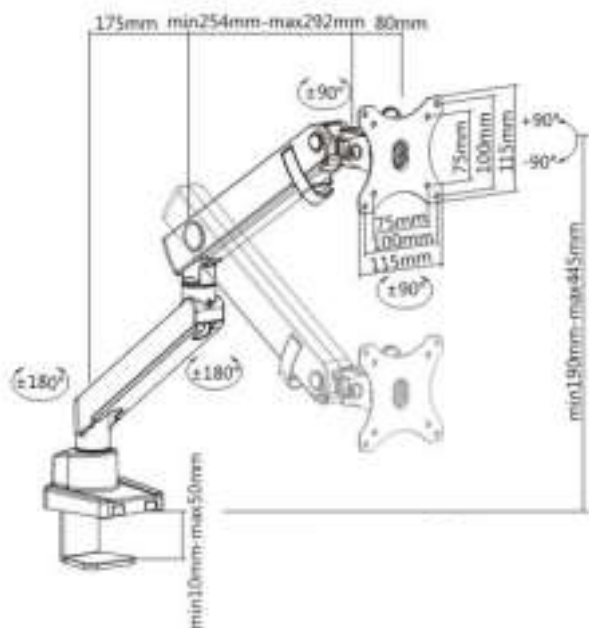
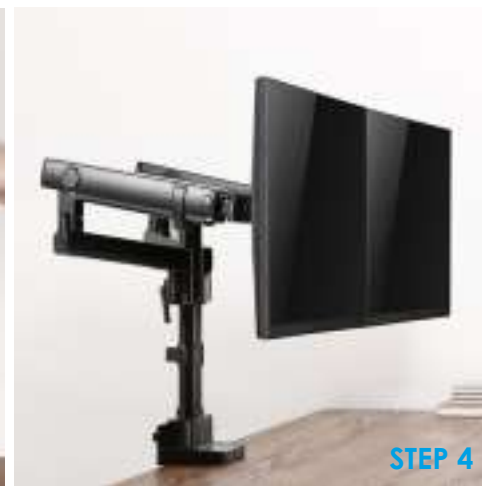


Yes



Yes

# INSTALLATION AND DIMENSIONS



- SIGMA1BL
- SIGMA1WH
- SIGMA2BL
- SIGMA2WH



**05**

**Cables and Cable  
Management**



# CABLES

Both ABL Mains and Connective leads, are available in length from 0.5 - 10.0m. Mains lead cables are available in various international plug types. For other plug types quotes, please contact your sales agent.  
For white power modules, mains lead cables are white, whereas for black and silver power modules, cables are black.



**MLF2MB**  
2.0m Mains Lead, Female  
3 Pole Connector  
to Schuko Plug, Black



**MLG2MB**  
2.0m Mains Lead, Female  
3-Pole Connector to 13A  
UK Plug, Black



**CL0.5MB**  
0.5m Connector Lead,  
Male 3-Pole Connector  
to Female 3-Pole Connector  
Lead, Black



**3 Pole Connector Female  
Black**

**MLF3MB**  
3.0m Mains Lead, Female  
3 Pole Connector  
to Schuko Plug, Black

**MLG3MB**  
3.0m Mains Lead, Female  
3-Pole Connector to 13A  
UK Plug, Black

**CL1MW**  
1.0m Connector Lead,  
Male 3-Pole Connector  
to Female 3-Pole Connector  
Lead, White



**DIST2**  
Distribution block  
for daisy chaining



**LOCK2**  
Female Locking device  
for 3 Pole Connector



**LOCK3**  
Male Locking device  
for 3 Pole Connector



**LOCK4**  
Locking device  
for under desk modules



## ROSP

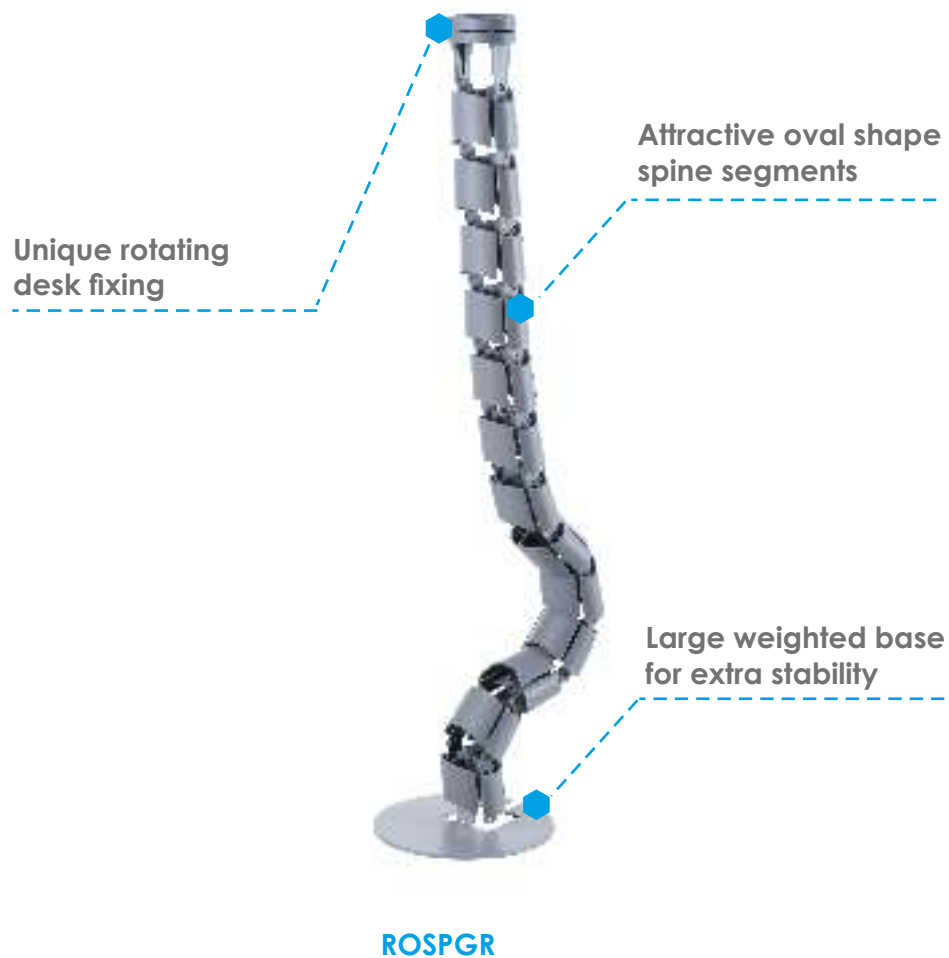
### Rotating Cable Spine



ABL's cable spines have been designed to help organise all cables and wires from the office desk to the power point. Our flexible plastic trunking allows cables to be placed free from damage and knots. Our cable spine range comes in 3 colours and provides an organised, neat finish to any office!



# PRODUCT SPECIFICATION



- Integral segregation for power and data cables
- Easily adjust height by adding or removing individual clip elements as required
- Snap-together interlocking blocks with 165mm diameter weighted base
- Supplied with top-hooking elements to screw under surface
- 13 independent oval segments (70x50mm)

## AVAILABLE COLOURS



**ROSPBL**



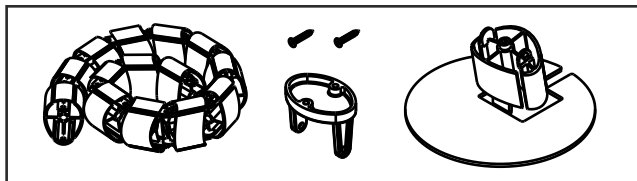
**ROSPOP**



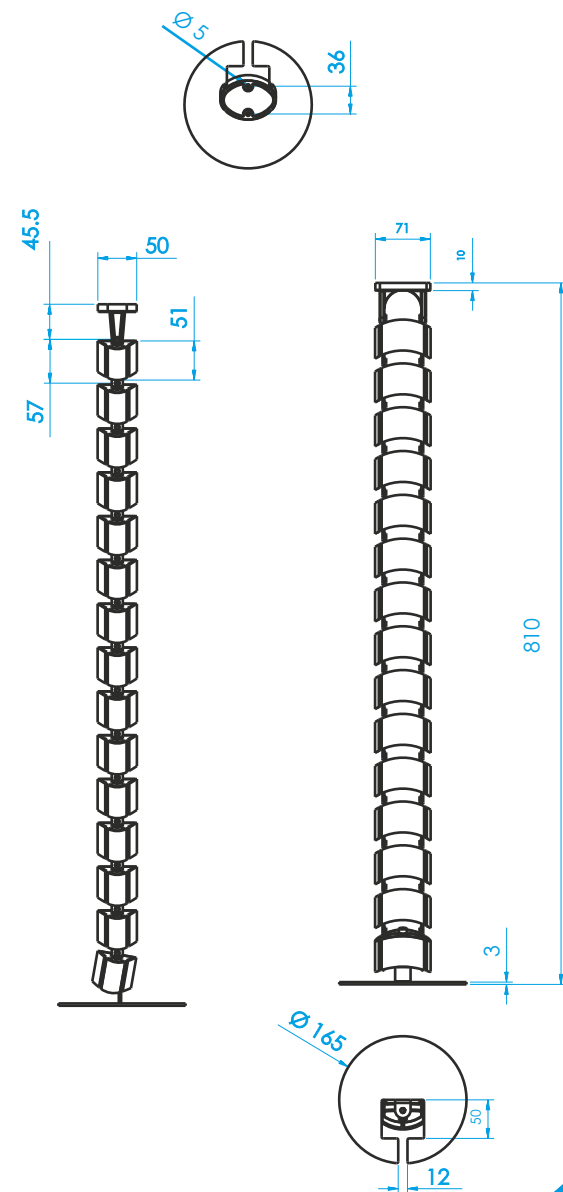
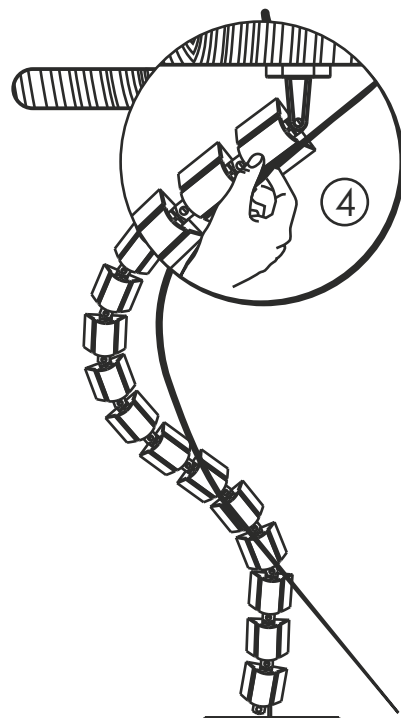
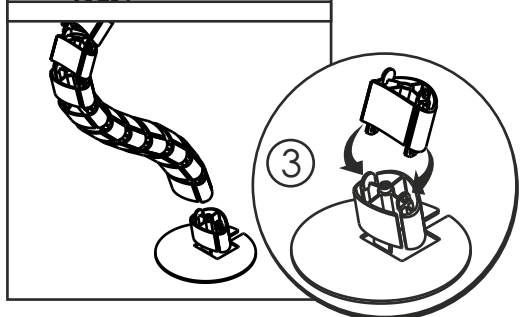
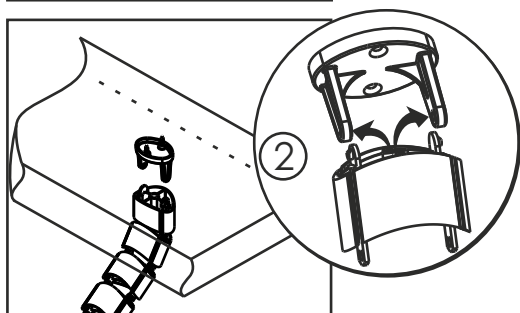
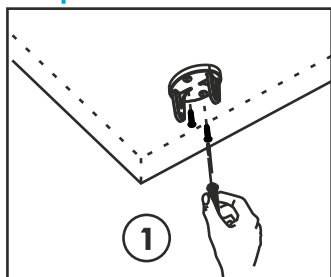
**ROSPWH**

# INSTALLATION AND DIMENSIONS

## Check-List



## Steps





## HASP

### Height-adjustable Cable Spine

---



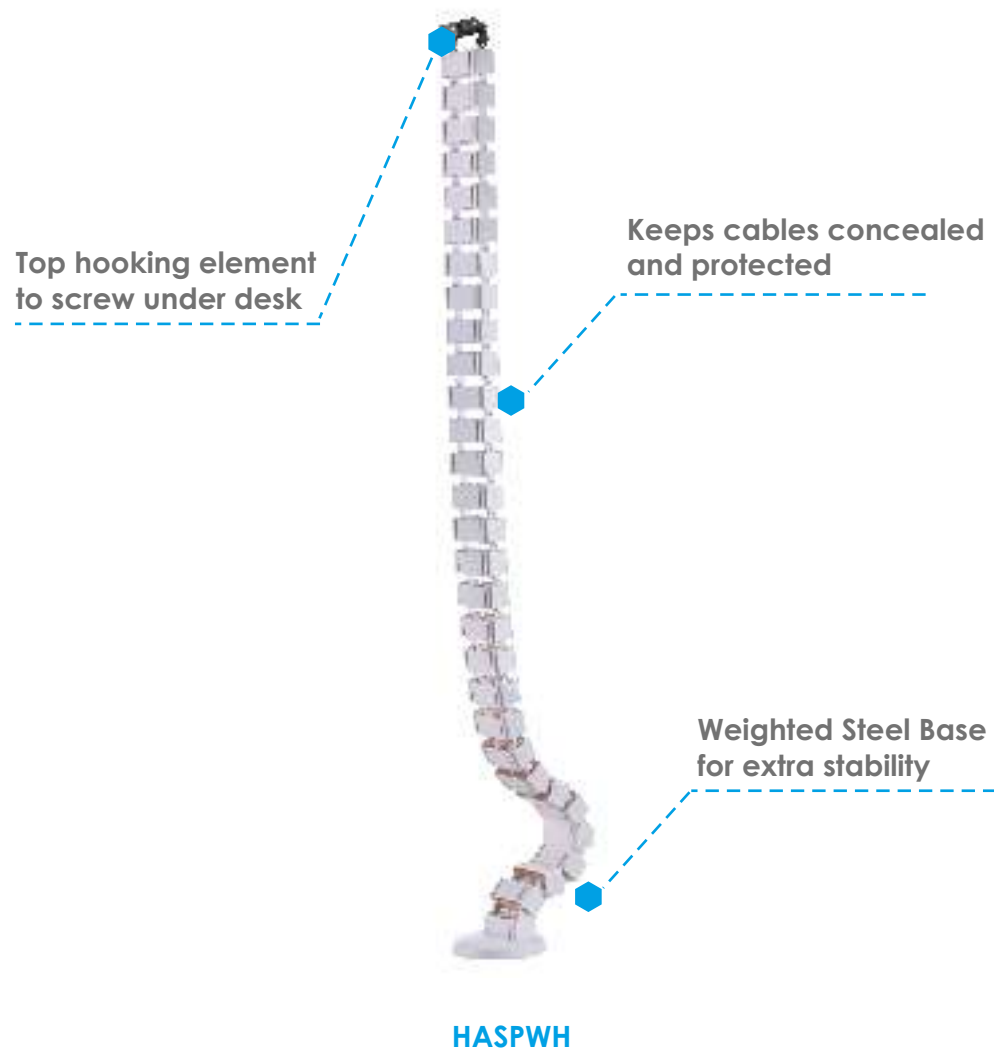
ABL's height adjustable cable spines have been developed to work with sit/stand desks. Its flexible design keeps all your cables and wires organised and free from damage and knots. Our sit/stand cable spine is available in 3 colours (black, white and silver) and provides an organised, neat finish to any office.

# PRODUCT SPECIFICATION



- Premium category cable management
- Cable Organiser & Hider: keep cables concealed and protect cables from the wear and tear
- Modular Vertebrae Structure: allows users to add or subtract individual vertebrae as required
- Quad Entryway Design: enables cable separation
- Weighted Base with Steel Block: offers extra stability
- Easy Setup: tools-free assembly in minutes, no expert installation required
- 30 segments

## AVAILABLE COLOURS

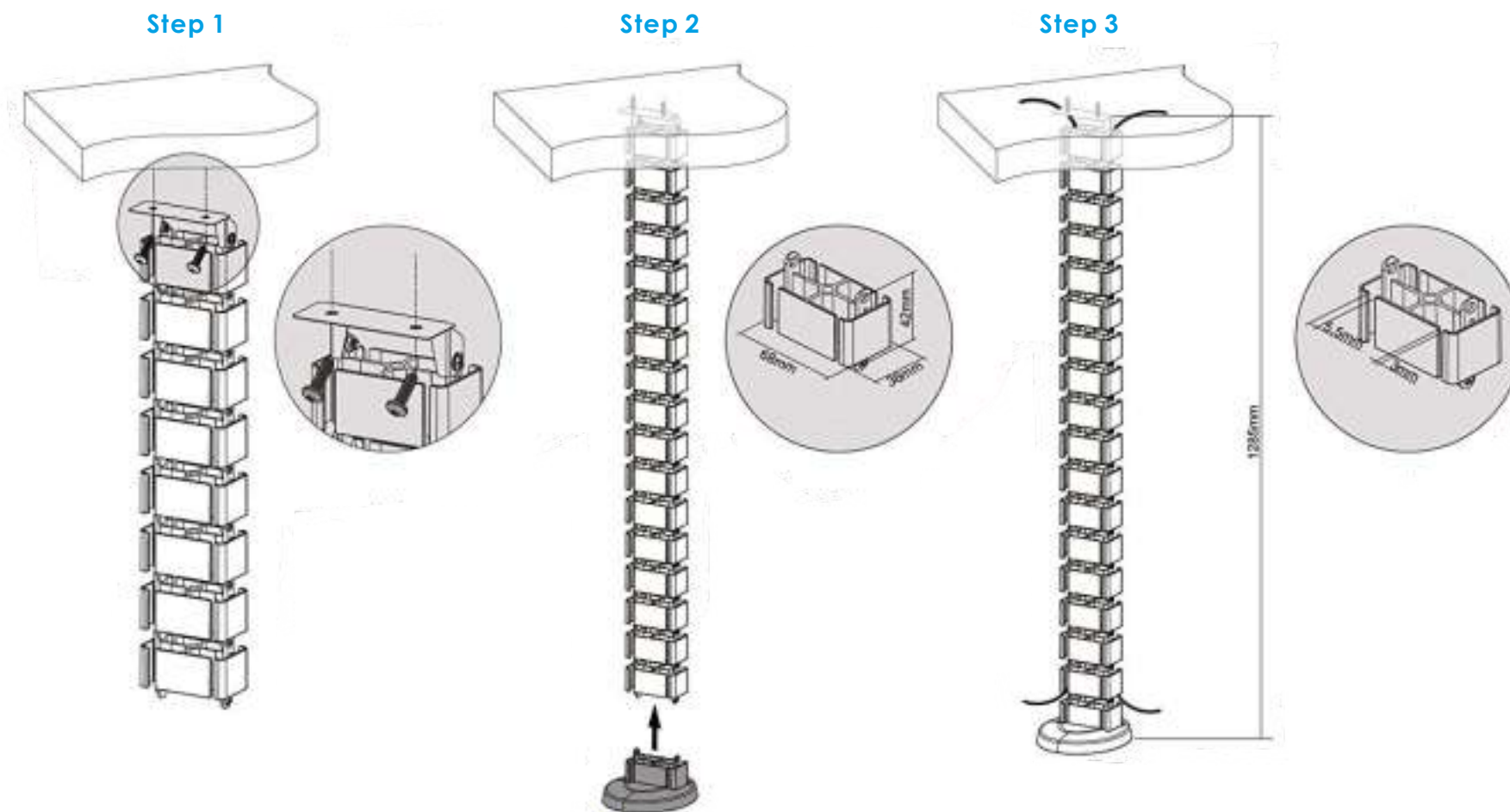


**HASPBL**



**HASPSR**

# INSTALLATION AND DIMENSIONS



## Wire Basket

---

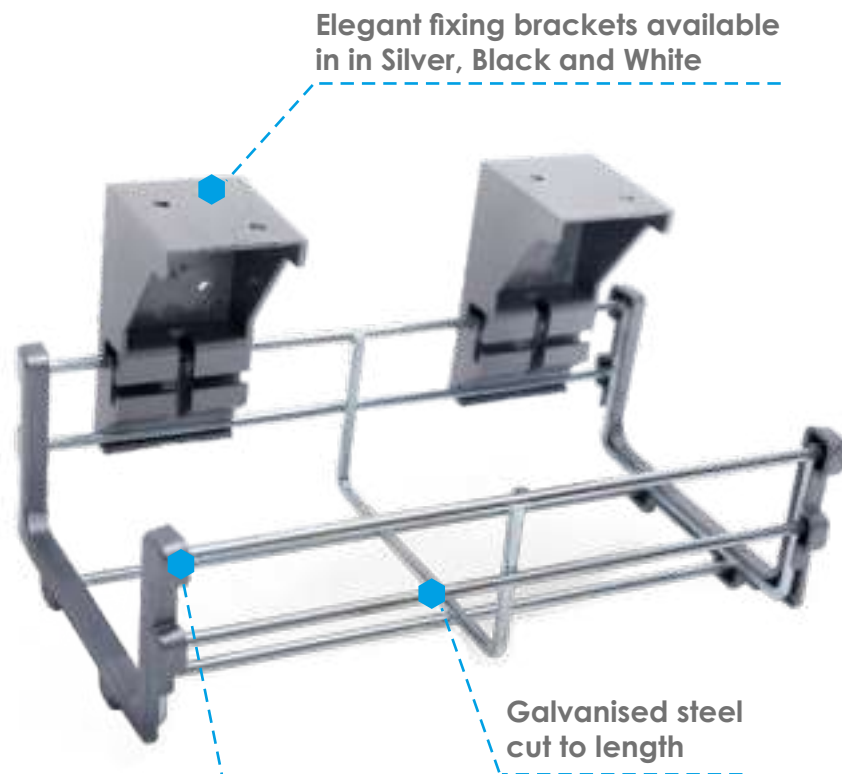


Wire Baskets provide a sleek finish to the office desk and allow a range of cables and the popular under desk PMK to sit neatly to avoid damages. Wire Baskets are easy to install via the fixing brackets provided. The chrome finished basket will help keep cables tidy, reduce knots and prevent trip hazards.





# PRODUCT SPECIFICATION



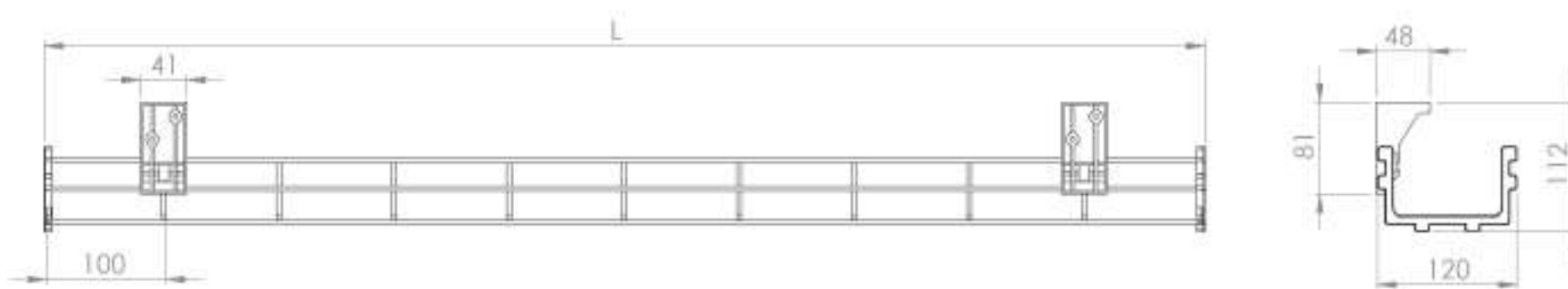
- Available in cut lengths to suit your individual needs (100mm increments, starting from 0.1m to 3.0m max).
- Comes with matching plastic fixings allowing access to one side.
- Supplied complete with self-drilling screws
- Available in two widths: 100mm and 150mm wide

## AVAILABLE COLOURS



Safety side caps available in Silver, Black and White

# INSTALLATION AND DIMENSIONS



- **WB0500TS**  
0.5m Wire Basket with Brackets,  
Width - 100mm, Silver
- **WB0800TS**  
0.8m Wire Basket with Brackets,  
Width - 100mm, Silver
- **WB1000TS**  
1.0m Wire Basket with Brackets,  
Width - 100mm, Silver
- **WB1200TS**  
1.2m Wire Basket with Brackets,  
Width - 100mm, Silver

- **WB0500BL**  
0.5m Wire Basket with Brackets,  
Width - 100mm, Black
- **WB0800BL**  
0.8m Wire Basket with Brackets,  
Width - 100mm, Black
- **WB1000BL**  
1.0m Wire Basket with Brackets,  
Width - 100mm, Black
- **WB1200BL**  
1.2m Wire Basket with Brackets,  
Width - 100mm, Black

- **WB0500WH**  
0.5m Wire Basket with Brackets,  
Width - 100mm, White
- **WB0800WH**  
0.8m Wire Basket with Brackets,  
Width - 100mm, White
- **WB1000WH**  
1.0m Wire Basket with Brackets,  
Width - 100mm, White
- **WB1200WH**  
1.2m Wire Basket with Brackets,  
Width - 100mm, White



06

CPU and  
Laptop Holders

# CPU HOLDERS

CPU holders are used to keep the CPU case up and off the ground avoiding dust or dirt with effortless adjusting and greater accessibility to ports and cables. The height and depth adjustability guarantees compatibility and they fit most sizes or shapes of PC computer cases. Simple and effortless installation saves much time.

Work Faster, Tidier and Smarter by freeing up space with our range of CPU holders and reduce damages to the PC.



BCPU



UCPU



MCPU



- For use on 25mm thick Desk Tops, simply fold out and fix to desk with screws provided
- Weight capacity 20kg
- Height adjustment for 50mm to 77mm, 100mm to 110mm or 128mm to 210mm
- Adjust height using unique captive foot.

- Simple "Strap" CPU Holder
- Easily adjusted to suit most "Tower" CPU's
- Strong and robust - factory tested to 20kg

- Base can be adjusted to 0,15, 30 & 45 degree angles making access to drives easier
- Simple "scissor" width adjustment from 90 to 200mm
- Includes anti-slip rubber feet



## LAPTOP HOLDER

To avoid tech neck while using your laptop, you'll need to find a way to elevate it to a more comfortable viewing height. Of course you can improvise with stacks of books or boxes, but it might take a bit of fiddling around to find the right height - plus you can't guarantee your homemade solution will be stable, safe, or particularly nice to look at. An adjustable laptop stand, used with a separate mouse and keyboard, is the best way of creating a portable ergonomic workstation wherever you go.

Help your back and posture by raising your computer screen to eye level and free even more space combined with monitor arms

## AVAILABLE COLOURS

-  **LTHOLDER**  
Holder to fit on Monitor Arm - Black



- ABL laptop holders are compatible with every ABL monitor arm - Strela, FSA and Sigma.
- Laptop holder is sold separately from the pole.

A hand holding a pen is positioned over a smartphone. The entire scene is overlaid with a blue tint and a white rectangular border. The number '07' is prominently displayed in white on the left side of the frame.

07

Components



# COMPONENTS



**DL3MG**  
3m Data Lead  
Cat5e Patch Cable,  
Grey



**DL3MCAT6**  
3m Data Lead  
Cat6 Patch Cable,  
Grey



**DL3MCAT6A**  
3m Data Lead  
Cat6A Patch Cable,  
Grey

**DL5MG**  
5m Data Lead  
Cat5e Patch Cable,  
Grey

**DL5MCAT6**  
5m Data Lead  
Cat6 Patch Cable,  
Grey

**DL5MCAT6A**  
5m Data Lead  
Cat6A Patch Cable,  
Grey



**3MUSBA-M-M**  
3m USB Cable,  
Male to Male,  
Black



**2MHDMI-M-M**  
2m HDMI Cable,  
Male to Male,  
Black



**1MSVGA-M-M**  
1m SVGA Cable,  
Male to Male,  
Black



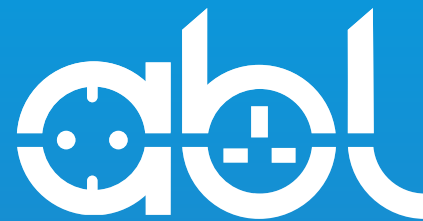
**3MSTEREO3.5MM-M-M**  
3m Audio Cable,  
3.5mm,  
Male to Male

**5MUSBA-M-M**  
5m USB Cable,  
Male to Male,  
Black

**3MHDMI-M-M**  
3m HDMI Cable,  
Male to Male,  
Black

**3MSVGA-M-M**  
3m SVGA Cable,  
Male to Male,  
Black

**5MSTEREO3.5MM-M-M**  
5m Audio Cable,  
3.5mm,  
Male to Male



[www.abl-ltd.com](http://www.abl-ltd.com)

Contact your Area Sales Manager directly for assistance with:

- Product quotations
- Bespoke configuration
- Detailed product information

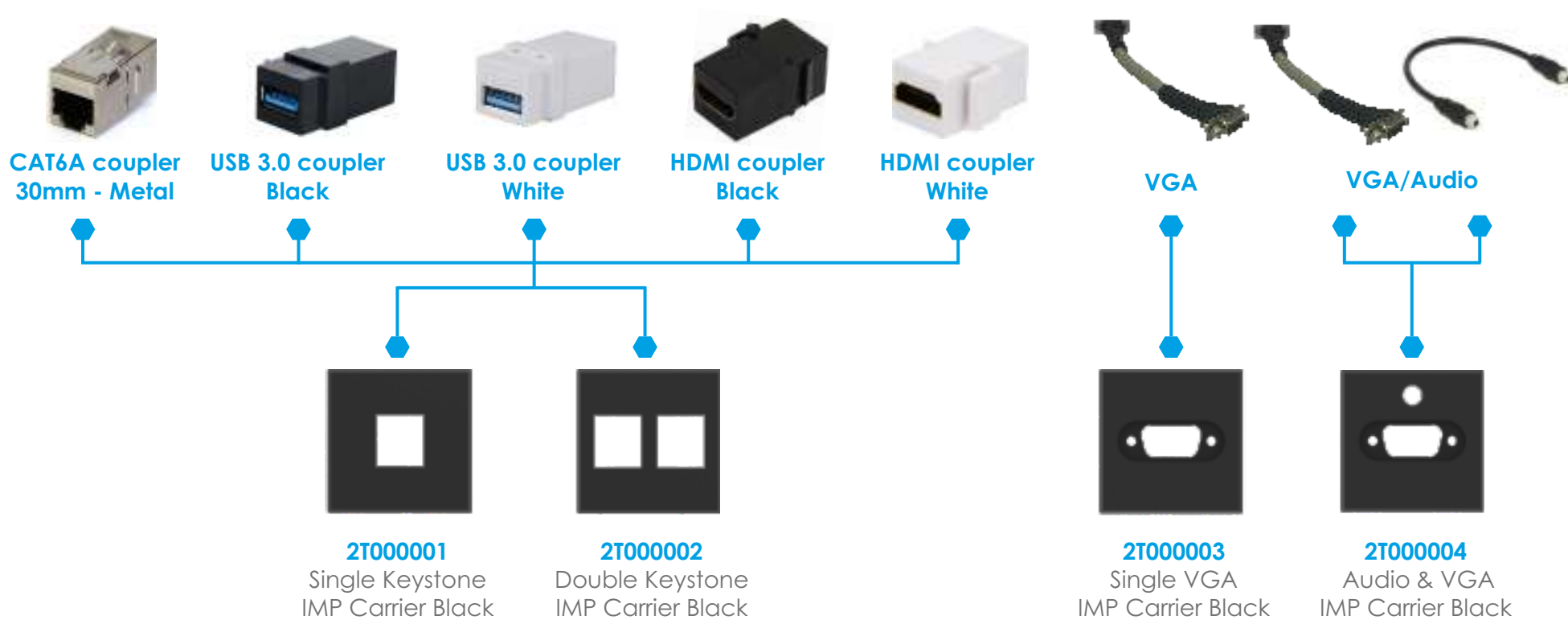
## **ABL UK LTD**

**14 Fleming Close  
Park Farm Industrial Estate  
Wellingborough, Northamptonshire NN8 6UF  
Tel +44 (0) 1933 400 080  
[sales@abl-uk.com](mailto:sales@abl-uk.com)**

## **ABL EMEA**

**Lava Tolstoja 25  
32103 Cacak, Serbia  
Tel 00 381 (32) 420 100  
[sales@abl.co.rs](mailto:sales@abl.co.rs)**

# COMPONENTS FOR IMP INTEGRATION



**i** IMP carriers are available in three different colours of plastic: Black, White and Grey

