



MONITOR ARM STRELA

ABL's Strela combines value and versatility into a single product solution. The aluminium arm creates a stylish and elegant look adding to any home or office décor. The flexible arm joint and rotating/tilting VESA plate allows the user to adjust the height and angle of monitors, offering the optimum viewing experience. Strela is ideal for virtually any application due to its' ability to easily rotate between portrait and landscape orientation.

FEATURES



- 360° Rotary VESA Plate: for better viewing experience
- Free-Tilting Design: for multiple monitor viewing angles
- Built-in Cable Management: for an organized and neat workspace
- Aluminium Construction: provides a sleek, lighter, and elegant look
- Quick-Release VESA Plate: for easy installation
- Keyhole Pattern: allows easy installation
- Swiveling Arm(s): offer(s) maximum viewing flexibility
- Available colours



Screen size
17" - 32"



Tilt Range
+30° ~ -30°



Swivel Range
+90° ~ -90°



Screen Rotation
+180° ~ -180°



VESA Compatible
75x75 & 100x100



Curved
Monitor



Cable
Management

MOUNTING INSTRUCTIONS



STEP 1



STEP 2



STEP 3



STEP 4



STEP 5



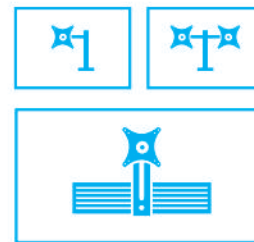
STEP 6



MONITOR ARM STRELA

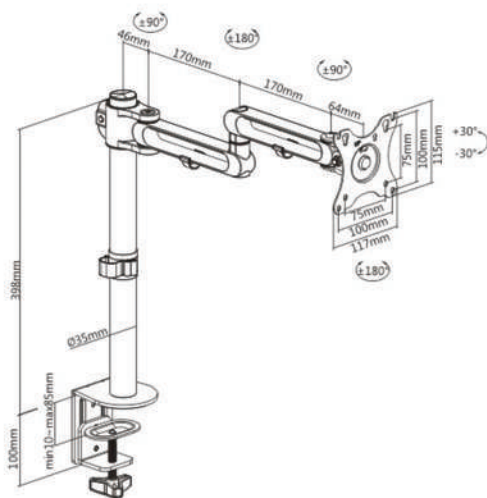
SPECIFICATIONS

| | |
|-------------------------------|---|
| Product Category: | Articulating Monitor Arm |
| Rank: | Budget |
| Material: | Aluminium, Steel |
| Surface Finish: | Powder Coated |
| Colour: | Matt Black, Matt White, Silver |
| Box dimensions: | 117x510x498mm for single and 886x124x498mm for double |
| Fit Screen size: | 17" - 30" |
| Fit Curved Monitor: | Yes |
| Weight Capacity (per screen): | 0 - 8kg |
| VESA Compatible: | 75x75, 100x100 |
| Tilt Range: | +30° ~ -30° |
| Swivel Range: | +90° ~ -90° |
| Screen Rotation: | +180° ~ -180° |
| Arm Full Extension: | 386mm |
| Installation: | Clamp |
| Suggested Desktop Thickness: | 10 - 85mm |
| Quick Release VESA Plate: | Yes |
| Cable Management: | Yes |

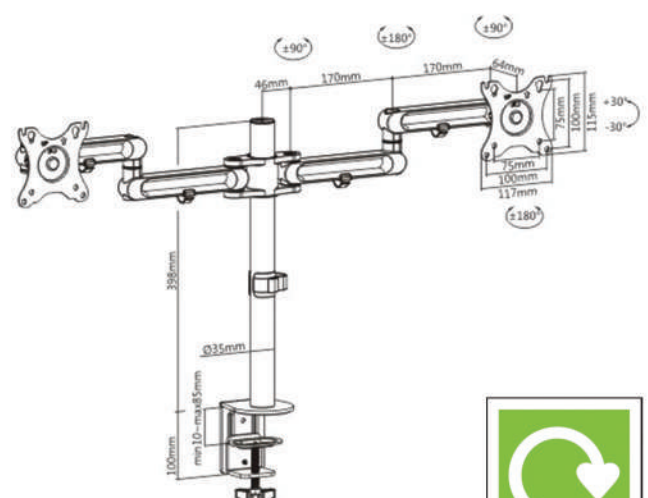


Available as single, double and tool rail

DIMENSIONS



SINGLE



DOUBLE

www.abl-uk.com

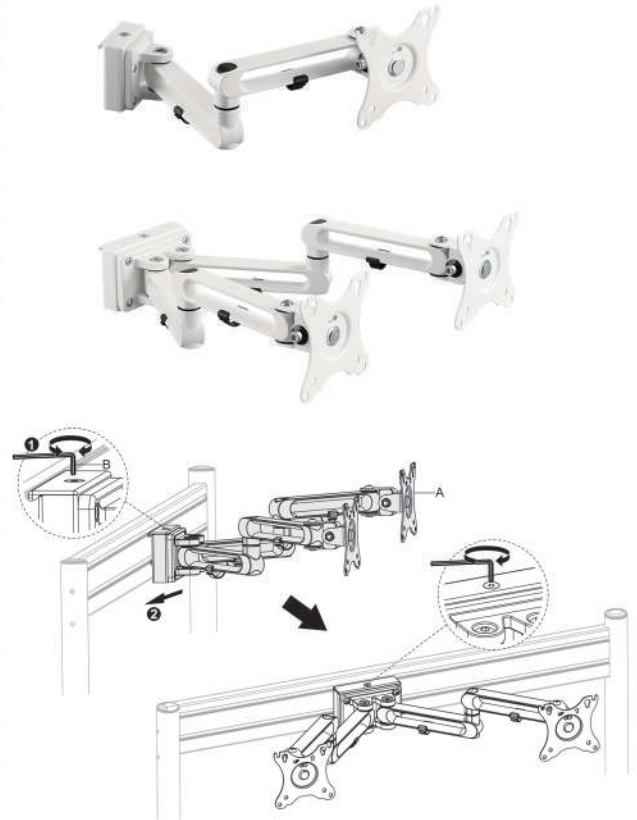




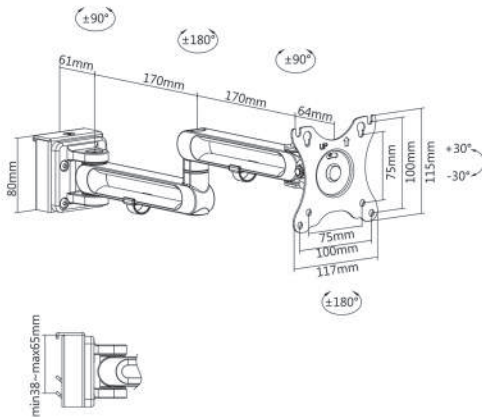
MONITOR ARM STRELA

TOOL RAIL SPECIFICATIONS

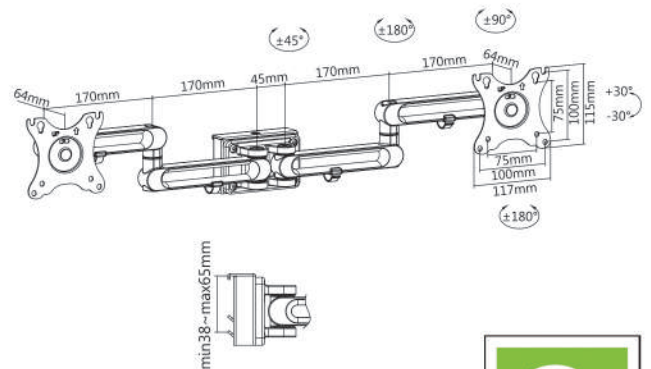
| | |
|-------------------------------|---|
| Product Category: | Articulating Monitor Arm |
| Rank: | Budget |
| Material: | Aluminium, Steel |
| Surface Finish: | Powder Coated |
| Colour: | Matt Black, Matt White, Silver |
| Box dimensions: | 117x510x498mm for single and 886x124x498mm for double |
| Fit Screen size: | 17"-32" |
| Fit Curved Monitor: | Yes |
| Weight Capacity (per screen): | 0-8kg |
| VESA Compatible: | 75x75, 100x100 |
| Tilt Range: | +30° ~ -30° |
| Swivel Range: | +90° ~ -90° |
| Screen Rotation: | +180° ~ -180° |
| Arm Full Extension: | 465mm for single/725mm for double |
| Installation: | Tool |
| Quick Release VESA Plate: | Yes |
| Cable Management: | Yes |



DIMENSIONS



SINGLE



DOUBLE

www.abl-uk.com

