



CSLUX-300

Multi-Format to HDMI Scaler



Operation Manual



DISCLAIMERS

The information in this manual has been carefully checked and is believed to be accurate. Cypress Technology assumes no responsibility for any infringements of patents or other rights of third parties which may result from its use.

Cypress Technology assumes no responsibility for any inaccuracies that may be contained in this document. Cypress also makes no commitment to update or to keep current the information contained in this document.

Cypress Technology reserves the right to make improvements to this document and/or product at any time and without notice.

COPYRIGHT NOTICE

No part of this document may be reproduced, transmitted, transcribed, stored in a retrieval system, or any of its part translated into any language or computer file, in any form or by any means—electronic, mechanical, magnetic, optical, chemical, manual, or otherwise—without express written permission and consent from Cypress Technology.

© Copyright 2011 by Cypress Technology.

All Rights Reserved.

Version 1.1 August 2011

TRADEMARK ACKNOWLEDGMENTS

All products or service names mentioned in this document may be trademarks of the companies with which they are associated.



SAFETY PRECAUTIONS

Please read all instructions before attempting to unpack, install or operate this equipment and before connecting the power supply.

Please keep the following in mind as you unpack and install this equipment:

- Always follow basic safety precautions to reduce the risk of fire, electrical shock and injury to persons.
- To prevent fire or shock hazard, do not expose the unit to rain, moisture or install this product near water.
- Never spill liquid of any kind on or into this product.
- Never push an object of any kind into this product through any openings or empty slots in the unit, as you may damage parts inside the unit.
- Do not attach the power supply cabling to building surfaces.
- Use only the supplied power supply unit (PSU). Do not use the PSU if it is damaged.
- Do not allow anything to rest on the power cabling or allow any weight to be placed upon it or any person walk on it.
- To protect the unit from overheating, do not block any vents or openings in the unit housing that provide ventilation and allow for sufficient space for air to circulate around the unit.

REVISION HISTORY

VERSION NO.	DATE DD/MM/YY	SUMMARY OF CHANGE
RDV1	02/04/14	Preliminary Release





CONTENTS

1. Introduction	1
2. Applications	1
3. Package Contents	1
4. System Requirements	1
5. Features	2
6. Operation Controls and Functions	3
6.1 Front Panel.....	3
6.2 Rear Panel	4
6.3 Remote Control.....	6
6.4 RS-232 Pin Assignment	7
6.5 RS-232 Commands.....	8
6.6 OSD Menu.....	10
6.7 Input Resolution Support	14
6.8 Output Resolution Support.....	15
7. Connection Diagram	16
8. Specifications	17
9. Acronyms	18



1. INTRODUCTION

This Multi-Format to HDMI Scaler is an advanced HDMI, PC, Composite, S-Video and Component switcher/scaler. This device can scale and switch input sources and display them to its HDMI and VGA/HD outputs simultaneously, with their associated audio signals, at a wide range of output resolutions (up to 1080p or WUXGA(RB)). Control is via IR remote, or via front panel buttons and includes an on-screen menu providing settings and system information.

2. APPLICATIONS

- Digital and analog signal convergence
- Convert analog video/audio signals for use with digital displays
- Integrate multiple sources and signal types to a single display in a meeting room or conference hall environment

3. PACKAGE CONTENTS

- Multi-Format to HDMI Scaler
- Remote Control (CR-143)
- 5 V/3 A DC Power Adaptor
- D-sub 15-pin to 3 RCA Adaptor Cable
- Operation Manual

4. SYSTEM REQUIREMENTS

Source equipment such as Blu-ray/DVD players, VGA or HDMI display and amplifier/active speakers with connection cables.

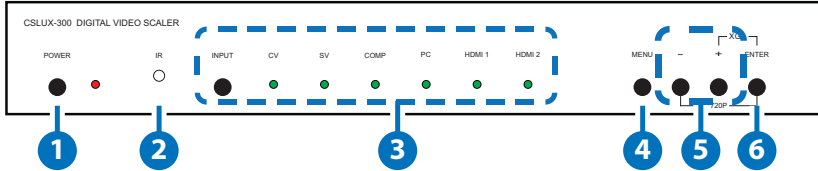


5. FEATURES

- Supports HDMI, Composite Video, S-Video, and PC (VGA)/HD (Component) inputs
- Supports HDMI and VGA/Component (with adaptor) outputs
- Supports analog stereo, optical and coaxial digital inputs and optical digital output, analog stereo output or embedding to HDMI output
- Supports conversion of multiple video formats and audio input to HDMI or PC/HD and analog stereo outputs
- Supports EDID and HDCP
- Supports 3D de-interlacing, noise reduction and 3D comb filter
- Supports frame rate conversion
- Supports RS-232, remote handset, and front panel control

6. OPERATION CONTROLS AND FUNCTIONS

6.1 Front Panel



1 POWER and LED

Press this button to switch the device ON or to put the device into STANDBY mode. When the device is connected to an active power supply, the LED will illuminate and the device will switch ON automatically.

2 IR Window

Receives only the IR signal from the supplied remote control.

3 INPUT Button and LEDs

Press to repeatedly select the required input. An LED will illuminate to indicate the currently selected source.

4 MENU

Press this button to enter into the on-screen menu (OSD).

5 -/+ (Minus/Plus)

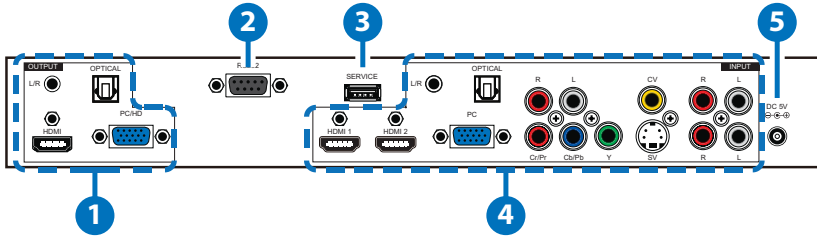
Use these buttons to navigate down and up in the on-screen menu.

6 ENTER

Press this button to confirm the selection.

Note: Pressing '-' (MINUS) and ENTER simultaneously will immediately switch the output resolution of the device to 720p60. Pressing '+' (PLUS) and ENTER simultaneously will immediately switch the output resolution of the device to XGA.

6.2 Rear Panel



1 OUTPUTS

HDMI: Connect to an HDMI display or amplifier for video and/or audio output.

PC/HD: Connect to a monitor/display for video output. For HD (Component) output, use the supplied D-sub 15-pin to 3 RCA adaptor cable for HD resolutions from 480p~1080p.

OPTICAL: Connect to an amplifier or active speakers for audio output in digital format.

L/R: Connect to an amplifier or active speakers for audio output in stereo format.

2 RS-232

Connect to a PC/Laptop to use RS-232 commands to control the device (See Section 6.5 for details on RS-232 commands).

3 SERVICE

Reserved for manufacturer use only.

4 INPUTS

HDMI 1: Connect to an HDMI source such as Blu-ray/DVD player for both video and audio signal conversion.

HDMI 2: Connect to an HDMI source such as Blu-ray/DVD player for both video and audio signal conversion.

PC: Connect to a PC/Laptop source for video signal input with a D-sub 15-pin cable.

YCbCr/YPbPr and L/R: Connect to source equipment such as a DVD player for both video and audio signal conversion.

SV and L/R: Connect to an S-Video source such as a video/DVD player for both video and audio signal conversion.

CV and L/R: Connect to a composite video source such as video/DVD player for both video and audio signal conversion.

OPTICAL: Connect to a source's optical output for audio signal conversion.

L/R: Connect to source's L/R output with 3.5mm Mini-jack for audio signal conversion.

5 DC 5V

Plug the 5V DC power supply into the unit and connect the adaptor to an AC outlet.

6.3 Remote Control

1 POWER

Press this button to switch the device ON or to put the device into STANDBY mode.

2 INPUT

Press to repeatedly select the required input. An LED will illuminate to indicate the currently selected source.

3 CV/SV/COMP/PC/HDMI 1/HDMI 2

Press to directly select the required input.

4 EXIT

Press this button to exit the menu or the current selection in the on-screen menu.

5 MENU

Press this button to enter the on-screen menu.

6 RESET

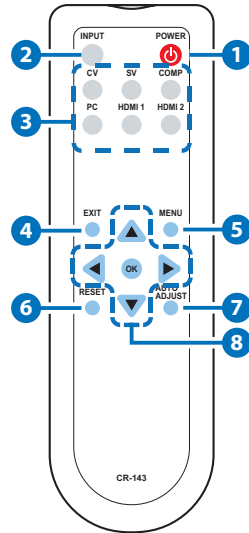
Press this button to return the device to the factory default settings.

7 AUTO ADJUST

Press the button to optimize the positioning of the picture (picture centering) on the screen.

8 ▲▼◀▶ and OK

Press OK to confirm the selection or use the directional buttons to navigate the on-screen menus.



6.4 RS-232 Pin Assignment

MULTI-FORMAT TO HDMI SCALER			REMOTE CONTROL	
PIN	Assignment		PIN	Assignment
1	NC		1	NC
2	Tx		2	Rx
3	Rx	▶	3	Tx
4	NC	◀	4	NC
5	GND		5	GND
6	NC		6	NC
7	NC		7	NC
8	NC		8	NC
9	NC		9	NC

Baud Rate: 9600bps

Data bit: 8 bits

Parity: None

Flow Control: None

Stop Bit: 1

6.5 RS-232 Commands

COMMAND	DESCRIPTION
S SOURCE 1~6	1=HDMI1 4=VIDEO 2=HDMI2 5=S-VIDEO 3=YpPr 6=PC
R SOURCE	Reports the numerical equivalent for SOURCE setting (as above)
S OUTPUT 0~25	0=Native 12=1600×1200 1=640×480 13=1920×1080 2=800×600 16=1920×1200 3=1024×768 17=480p 4=1280×768 18=720p@60 5=1360×768 19=1080p@60 6=1280×720 20=1080i@60 7=1280×800 22=576p 8=1280×1024 23=720p@50 9=1440×900 24=1080p@50 10=1400×1050 25=1080i@50 11=1680×1050
R OUTPUT	Reports the numerical equivalent for OUTPUT setting (as above)
S SIZE 0~6	0=OVERSCAN 4=LETTER BOX 1=FULL 5=UNDER 2 2=BEST FIT 6=UNDER 1 3=PAN SCAN
R SIZE	Reports the numerical equivalent for SIZE setting (as above)
S CONTRAST 0~60	Setups the numerical equivalent for CONTRAST setting (as left)
R CONTRAST	Reports the numerical equivalent for CONTRAST setting
S BRIGHTNESS 0~60	Setups the numerical equivalent for BRIGHTNESS setting (as left)
R BRIGHTNESS	Reports the numerical equivalent for BRIGHTNESS setting

COMMAND	DESCRIPTION
S HUE 0~60	Sets up the numerical equivalent for HUE setting (as left)
R HUE	Reports the numerical equivalent for HUE setting
S SATURATION 0~60	Sets up the numerical equivalent for SATURATION setting (as left)
R SATURATION	Reports the numerical equivalent for SATURATION setting
S SHARPNESS 0~30	Sets up the numerical equivalent for SHARPNESS setting (as left)
R SHARPNESS	Reports the numerical equivalent for SHARPNESS setting
S NR 0~3	0=OFF 2=MIDDLE 1=LOW 3=HIGH
R NR	Reports the numerical equivalent for the NOISE REDUCTION setting (as above)
S AUDIO DELAY 0~3	0=OFF 2=110ms 1=40ms 3=150ms
R AUDIO DELAY	Reports the numeric equivalent for AUDIO DELAY setting (as above)
S AUDIO MUTE 0/1	0=ON 1=MUTE
R AUDIO MUTE	Reports the numeric equivalent for AUDIO MUTE setting (as above)
S KEY LOCK 0/1	0=ENABLE 1=DISABLE
R KEY LOCK	Reports the numeric equivalent for KEY LOCK setting (as above)
FW	Checks the FIRMWARE version
S RESET 1	Sets up the numerical equivalent for RESET setting (as left)
S POWER 0/1	0=OFF 1=ON
R POWER	Reports the numeric equivalent for POWER setting (as above)

Note:

1. Audio Delay is only supported on Analog Stereo output.
2. When the HDMI input is encoded with HDCP, no image will be output from the PC/HD output.



3. Only LPCM 2 channel digital audio is supported, please ensure that the source audio is set to LPCM 2 channel audio in order to avoid unnecessary audio noise.
4. RS-232 commands will be not executed unless followed with a carriage return and LF. Commands are case-insensitive.

6.6 OSD Menu

MAIN MENU	SUBMENU	3RD MENU	4TH MENU
DISPLAY	OUTPUT	640×480 60	
		800×600 60	
		1024×768 60	
		1280×768 60	
		1360×768 60	
		1280×720 60	
		1280×800 60	
		1280×1024 60	
		1440×900 60	
		1400×1050 60	
		1680×1050 60	
		1600×1200 60	
		1920×1080 60	
		1920×1200 60	
		720×480P 60	
		1280×720P 60*	
		1920×1080I 60	
		1920×1080P 60	
		720×576P 50	
		1280×720P 50	
1920×1080I 50			
1920×1080P 50			

MAIN MENU	SUBMENU	3RD MENU	4TH MENU	
DISPLAY	SIZE (For VIDEO input)	OVER SCAN		
		FULL*		
		BEST FIT		
		PAN SCAN		
		LETTER BOX		
		UNDER 2		
		UNDER 1		
	MODE INFO	OFF		
		INFO*		
		ON		
	PC (For PC input)	AUTO SETUP		
		H_POSITION		
		V_POSITION		
		PHASE		
		CLOCK		
		WXGA/XGA		XGA*
				WXGA
RESET				

MAIN MENU	SUBMENU	3RD MENU	4TH MENU
COLOR	COLOR	R	
		G	
		B	
		R OFFSET	
		G OFFSET	
		B OFFSET	
	CONTRAST	0~60	
	BRIGHTNESS	0~60	
	HUE	0~60	
	SATURATION	0~60	
	SHARPNESS	0~30	
	NR	OFF*	
		LOW	
MIDDLE			
HIGH			
AUDIO	VOLUME	0~100	
	DELAY	OFF*	
		40ms	
		110ms	
		150ms	
	SOUND	ON*	
		MUTE	
	AUDIO SELECT (For AV/SV/YPbPr/ VGA input)	ANALOG*	
		S/PDIF	

MAIN MENU	SUBMENU	3RD MENU	4TH MENU	
SETUP	FACTORY RESET			
	KEY LOCK	OFF*		
		ON		
	POWER SAVE	OFF*		
		ON		
	INFORMATION	INPUT		
OUTPUT				
REVISION				

Note: Items with Asterisk () are the Factory default settings.*

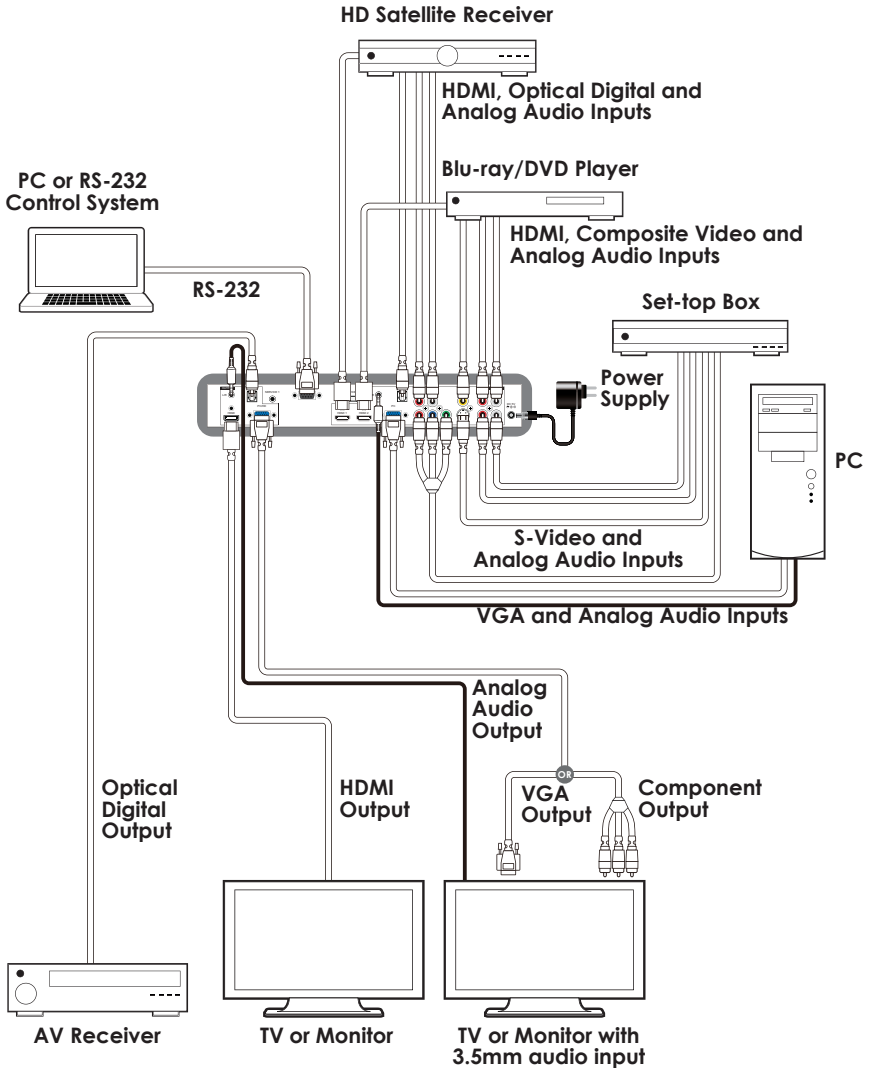
6.7 Input Resolution Support

INPUT RESOLUTION	CV/SV	COMP	PC	HDMI
NTSC/PAL	✓	-	-	-
480i/576i	-	✓	-	✓
480p/576p	-	✓	-	✓
720p@50/60Hz	-	✓	-	✓
1080i@50/60Hz	-	✓	-	✓
1080p@50/60Hz	-	✓	-	✓
VGA@60/72/75Hz	-	-	✓	✓
SVGA@56/60/72/75Hz	-	-	✓	✓
XGA@60/70/75Hz	-	-	✓	✓
SXGA@60/75Hz	-	-	✓	✓
UXGA@60Hz	-	-	✓	✓
1280×800@60Hz	-	-	✓	✓
1680×1050RB@60Hz	-	-	✓	✓
1920×1080@60Hz	-	-	✓	✓

6.8 Output Resolution Support

OUTPUT RESOLUTION	PC/HD	HDMI
480p/576p	HD	✓
720p@50/60 Hz	HD	✓
1080i@50/60 Hz	HD	✓
1080p@50/60 Hz	HD	✓
VGA@60 Hz	✓	✓
SVGA@60 Hz	✓	✓
XGA@60 Hz	✓	✓
SXGA@60 Hz	✓	✓
UXGA@60 Hz	✓	✓
1280×768@60 Hz	✓	✓
1280×800@60 Hz	✓	✓
1360×768@60 Hz	✓	✓
1400×1050@60 Hz	✓	✓
1440×900@60 Hz	✓	✓
1680×1050@60 Hz	✓	✓
1920×1200@60 Hz	✓	✓

7. CONNECTION DIAGRAM



8. SPECIFICATIONS

Input Ports	2×HDMI, 1×VGA, 1×Composite Video, 1×S-Video, 1×Component Video, 3×Analog Stereo (L/R), 1×Optical, 1×3.5mm Mini-jack, 1×RS-232, 1×USB (Service Only), 1×3.5mm Mini-jack (Service Only)
Output Ports	1×HDMI, 1×VGA, 1×Optical, 1×3.5mm Mini-jack
Input Resolutions Support	Up to 1080p & UXGA
Output Resolutions Support	Up to 1080p & WUXGA (RB)
Power Supply	5 V/3 A DC (US/EU standards, CE/FCC/UL certified)
Dimensions	320 mm (W)×182 mm (D)×44 mm (H)
Weight	1,600 g
Chassis Material	Metal
Color	Black
Operating Temperature	0 °C~40 °C/32 °F~104 °F
Storage Temperature	-20 °C~60 °C/-4 °F~140 °F
Relative Humidity	20~90 % RH (non-condensing)
Power Consumption	10.5 W

9. ACRONYMS

ACRONYM	COMPLETE TERM
COMP	Component Video
CV	Composite Video
DVI	Digital Visual Interface
EDID	Extended Display Identification Data
HDCP	High-Bandwidth Digital Content Protection
HDMI	High-Definition Multimedia Interface
IR	Infrared
NR	Noise Reduction
NTSC	National Television System Committee
OSD	On-screen Display (Menu)
PAL	Phase Alternating Line
RGB	Red Green Blue
SV	S-Video
USB	Universal Serial Bus
UXGA	Ultra Extended Graphics Array
VGA	Video Graphics Array
XGA	Extended Graphics Array
WUXGA	Wide Ultra Extended Graphics Array



CYPRESS TECHNOLOGY CO., LTD

Home page: <http://www.cypress.com.tw>

20130625 MPM-CSLUX300I