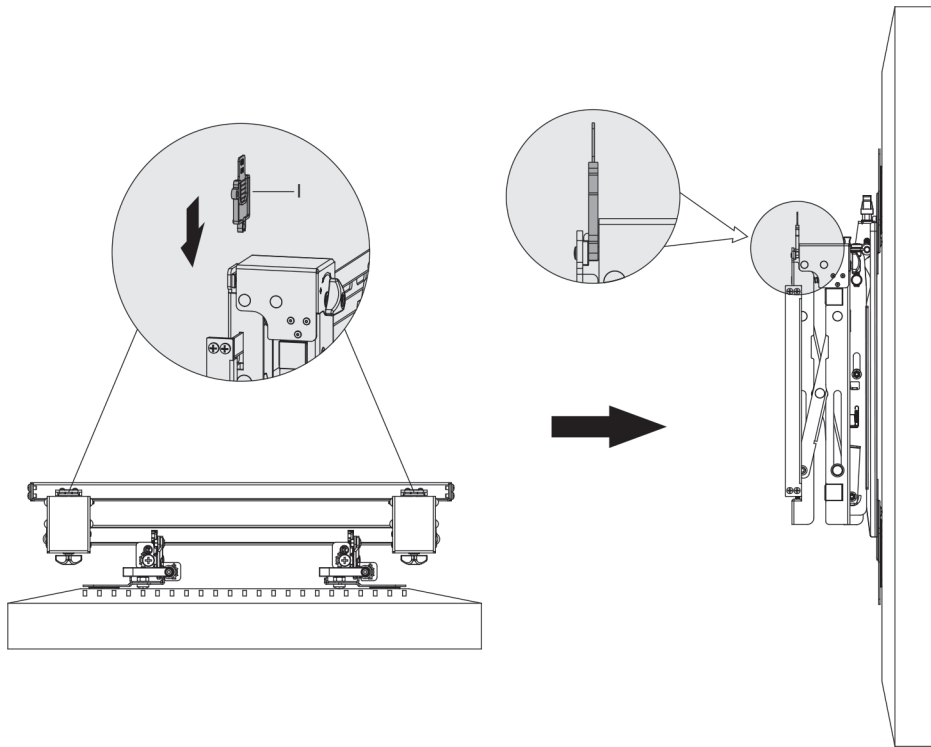


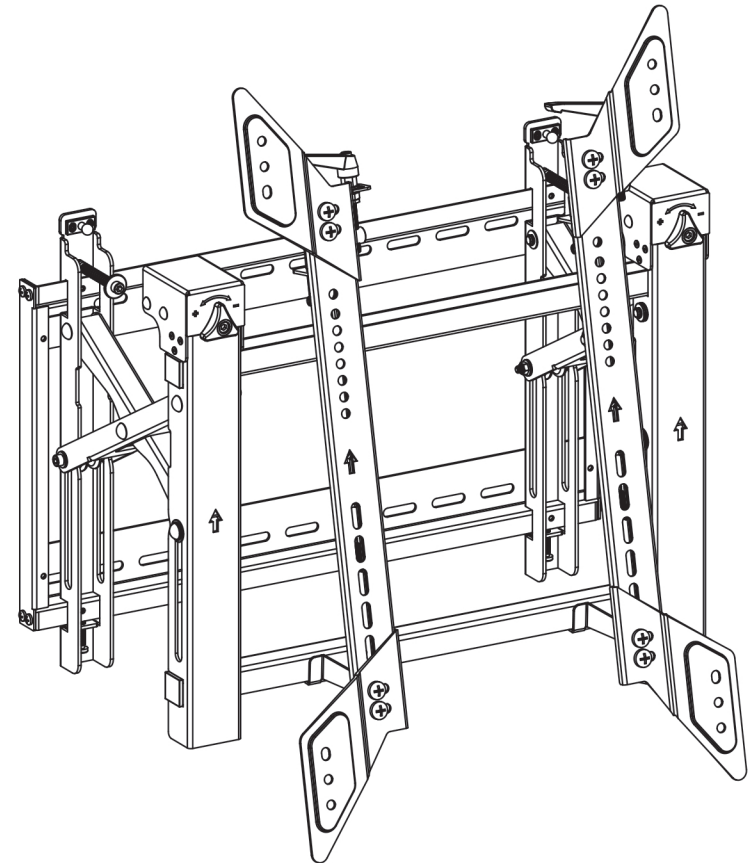


**9. Lock the Pop-out Module with the Plastic Locking Pieces**



**Maintenance**

- Check that the bracket is secure and safe to use at regular intervals(at least every three months).
- Please contact your distributor if you have any questions.



**CAUTION: DO NOT EXCEED RATED LISTED WEIGHT. SERIOUS INJURY OR PROPERTY DAMAGE MAY OCCUR!**



200x200/300x300  
200x400/400x400  
400x600



70"  
MAX



70kg  
(154lbs)  
RATED

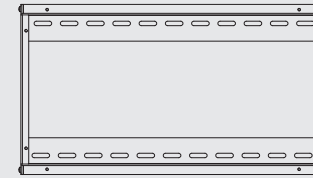
**NOTE:** Read the entire instruction manual before you start installation and assembly.

## WARNING

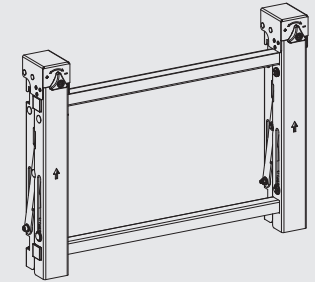
- Do not begin the installation until you have read and understood all the instructions and warnings contained in this installation sheet. If you have any questions regarding any of the instructions or warnings, please contact your local distributor.
- This mounting bracket was designed to be installed and utilised **ONLY** as specified in this manual. Improper installation of this product may cause damage or serious injury.
- This product should only be installed by someone with good mechanical ability who has basic building experience and fully understands this manual.
- Make sure that the supporting surface will safely support the combined weight of the equipment and all attached hardware and components.
- Always use an assistant or mechanical lifting equipment to safely lift and position the equipment.
- Tighten screws firmly, but do not over tighten. Over tightening can cause damage to the items, This greatly reduces their holding power.
- This product is intended for indoor use only. Using this product outdoors could lead to product failure and personal injury.

## Component Checklist

**IMPORTANT:** Ensure that you have received all parts according to the component checklist prior to installation. If any parts are missing or faulty, telephone your local distributor for a replacement.



wall plate (x1)  
A



pop-out module (x1)  
B



adapter bracket (x2)  
C



VESA adapter (x2)  
D



VESA adapter (x2)  
E



M8 nut (x8)  
F



M8x12 (x8)  
G



antiskid block (x2)  
H

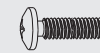


plastic locking piece (x2)  
I

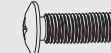


Allen key (x1)  
J

### Package M



M5x14 (x4)  
M-A



M6x14 (x4)  
M-B



M8x20 (x4)  
M-C



M6x30 (x4)  
M-D



M8x30 (x4)  
M-E



washer (x4)  
M-F

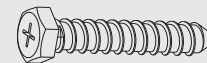


small spacer (x8)  
M-G

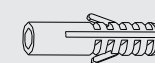


big spacer (x4)  
M-H

### Package W



ST6.3x55 (x6)  
W-A

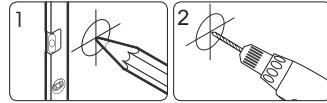
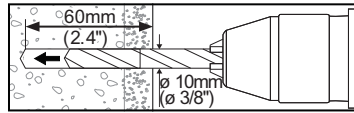
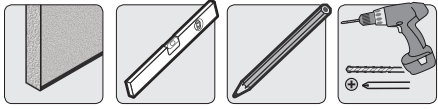


concrete anchor (x6)  
W-B



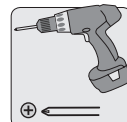
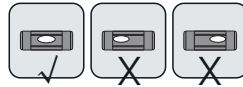
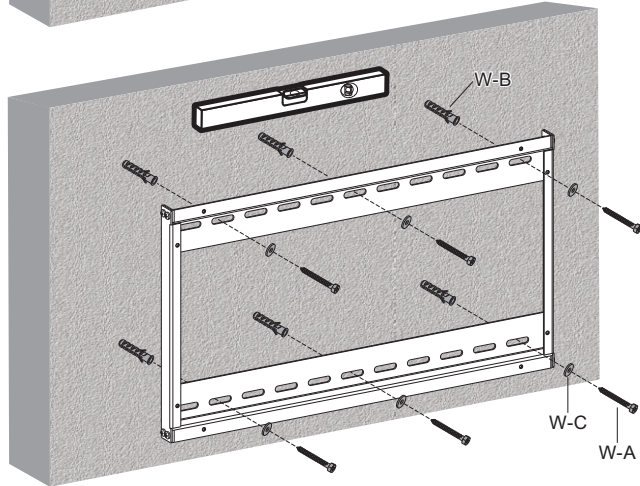
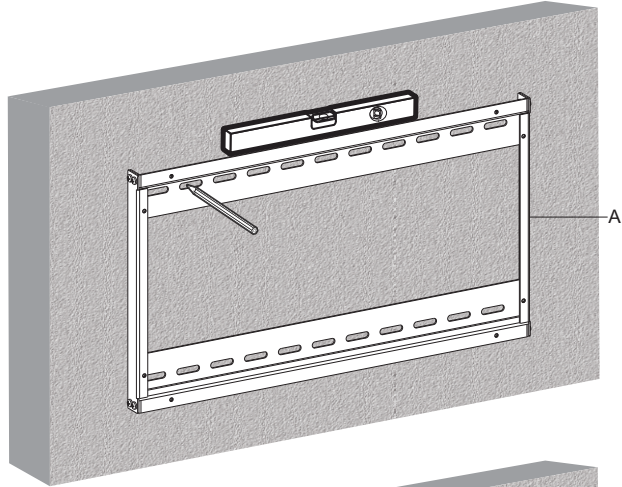
D6 washer (x6)  
W-C

## 1. For Solid Brick and Concrete Wall Mounting



1  
Mark the exact location of mounting holes

2  
Drill pilot holes



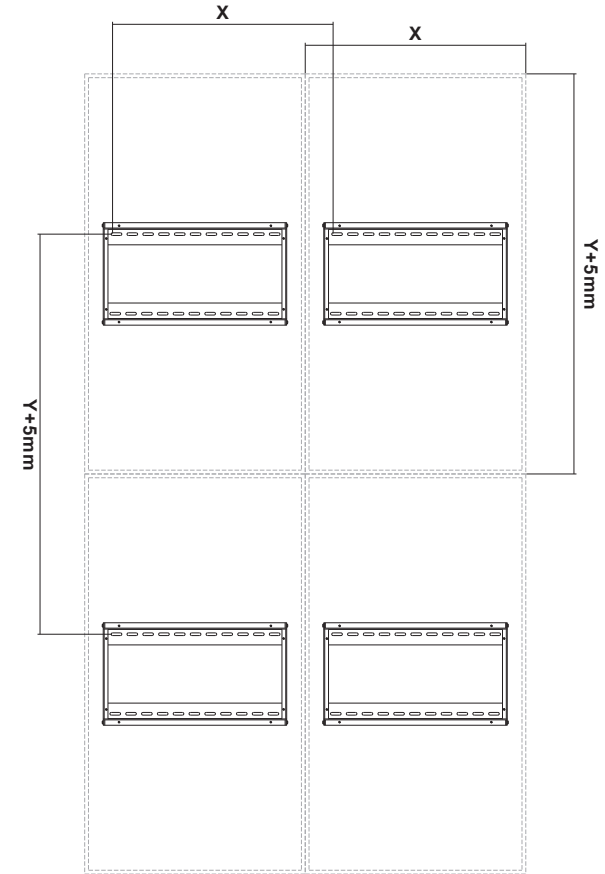
Screw the wall plate onto the wall

### ⚠ WARNING

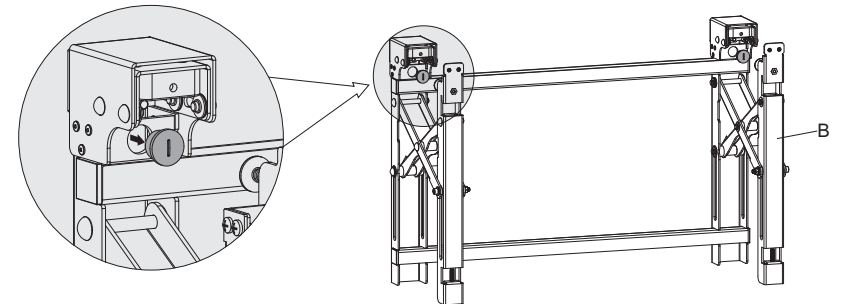
Installers must verify that the supporting surface will safely support the combined weight of the equipment and all attached hardware and components.

## 2. For Video Wall Installation (Mounting space as shown below)

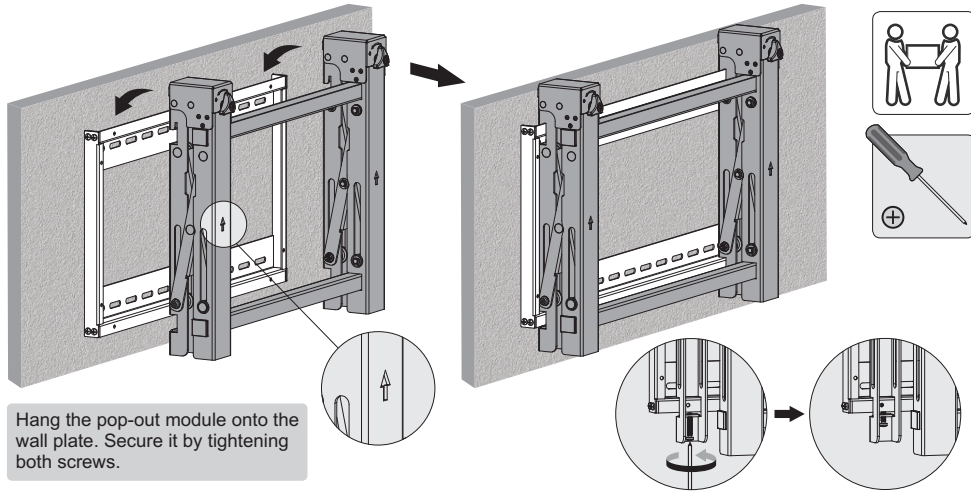
X=Length of display Y=Height of display



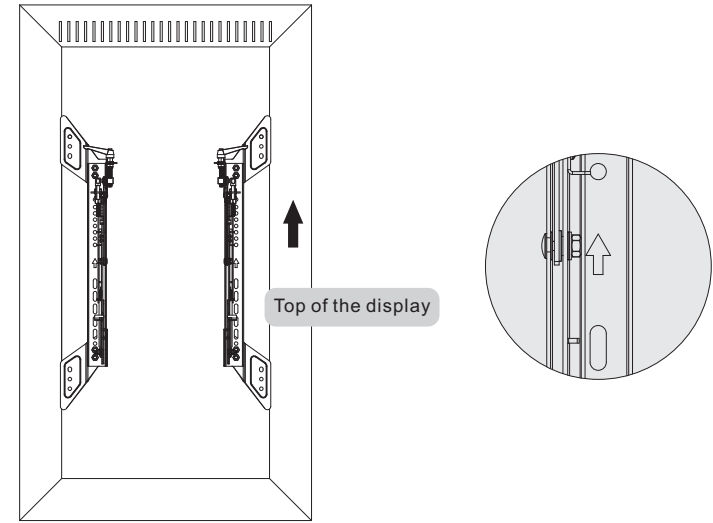
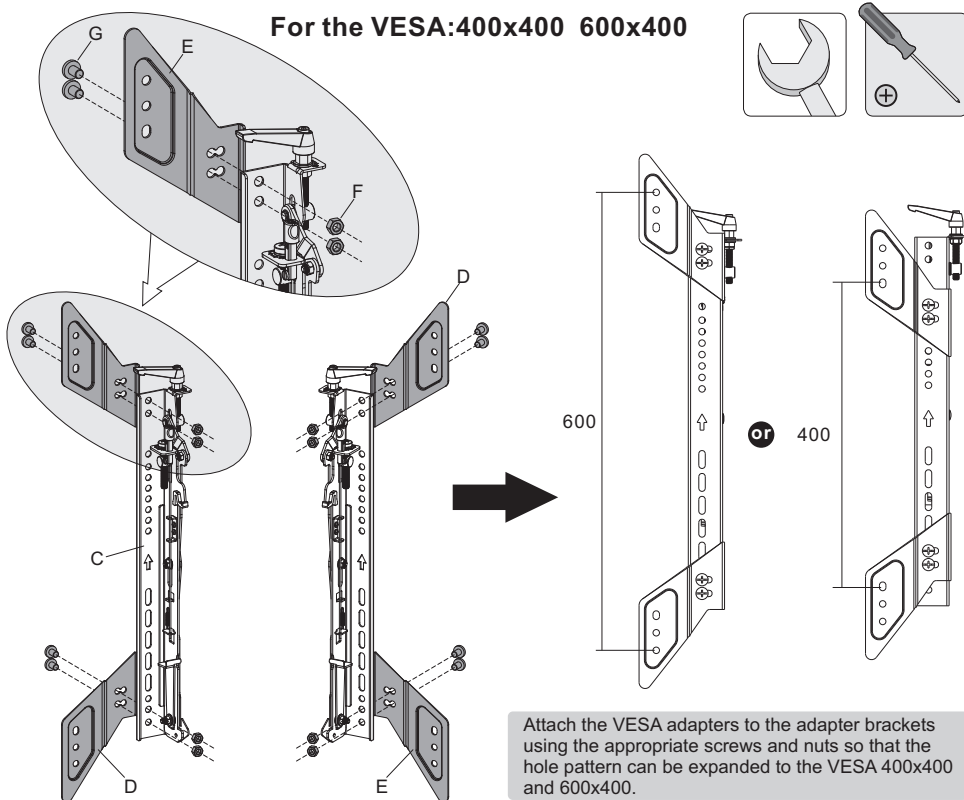
## 3. Installing the Pop-out Module



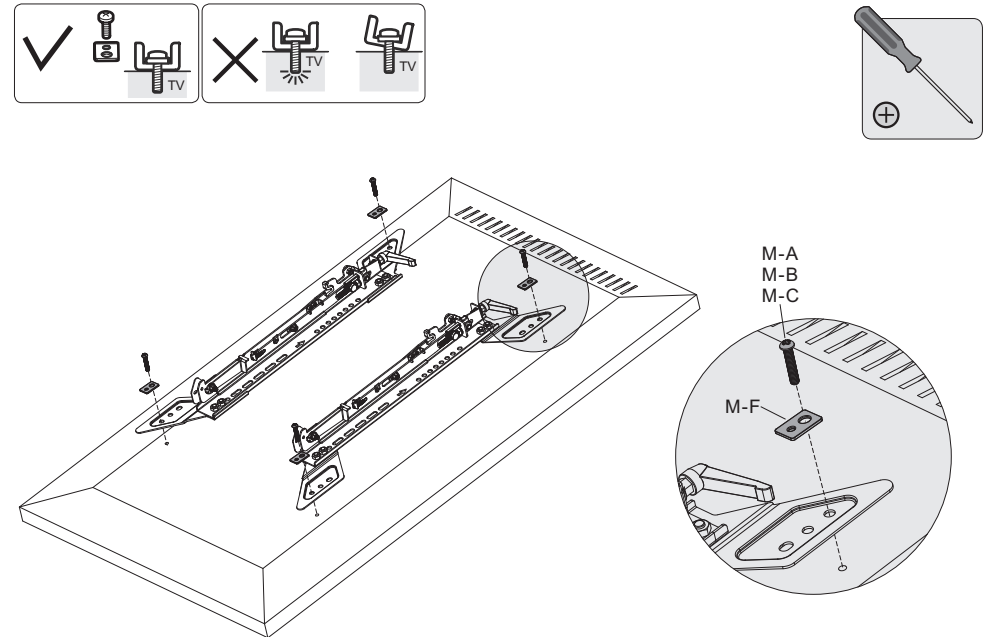
Please take off the caps before installing the pop-out module.



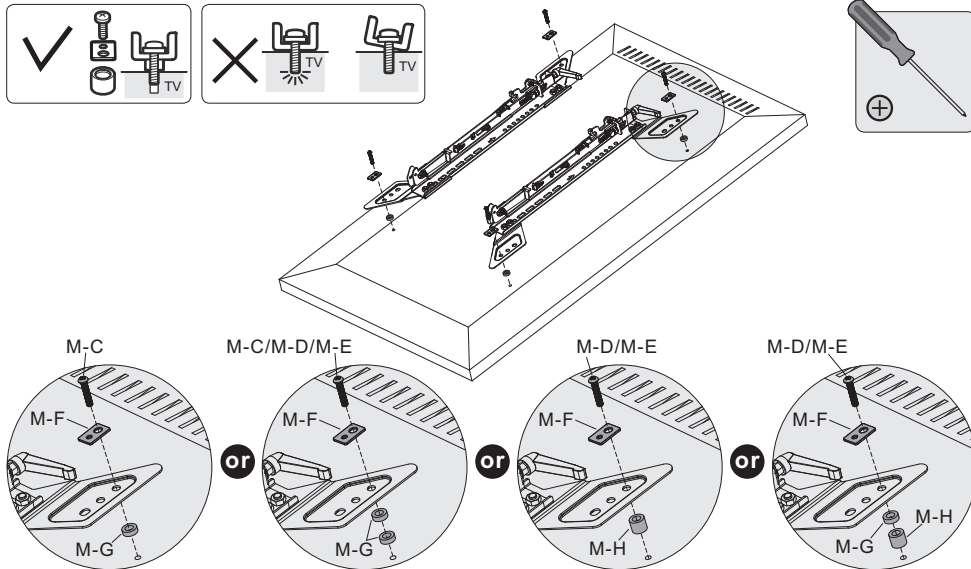
#### 4. Installing the Adapter Brackets



#### 4-1 For Flat Back Screens



#### 4-2. For Bump-out or Recessed Back Screens

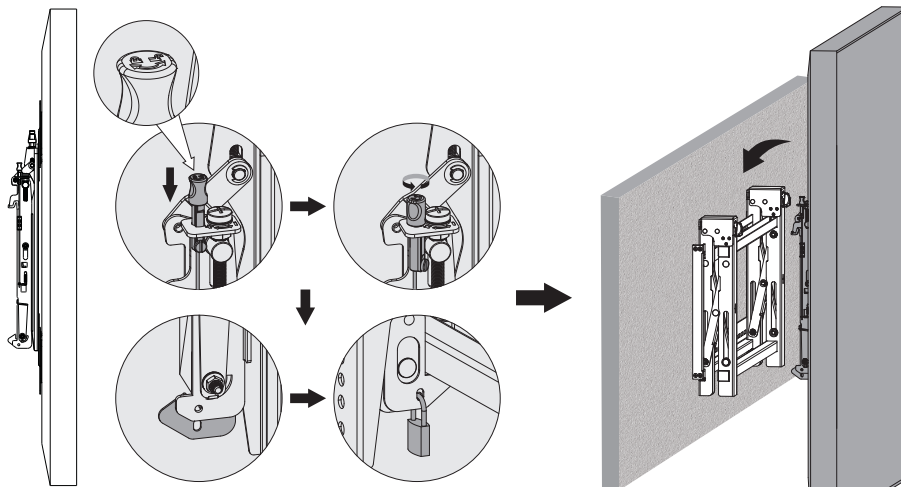


**Note:** Choose the appropriate screws, washers and spacers (if necessary) according to the type of screen.

- Position the adapter brackets as close as possible to the center of the display.
- Screw the adapter brackets onto the display.

**⚠** Tighten all screws but do not over tighten.

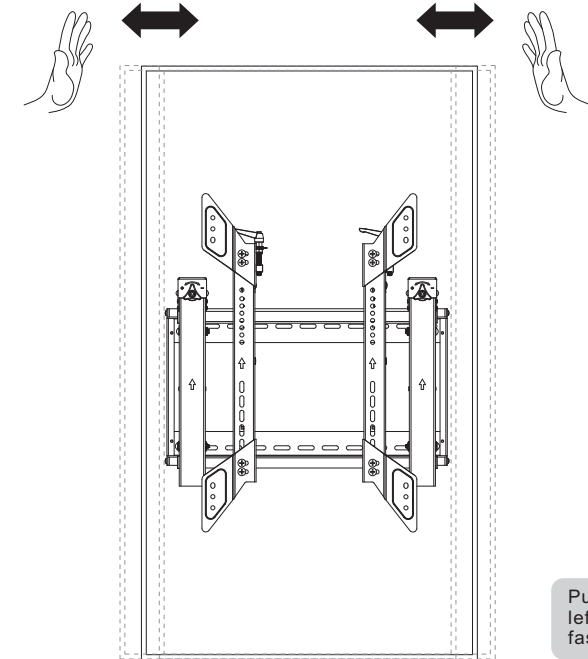
#### 5. Hooking the Display onto the Pop-out Module



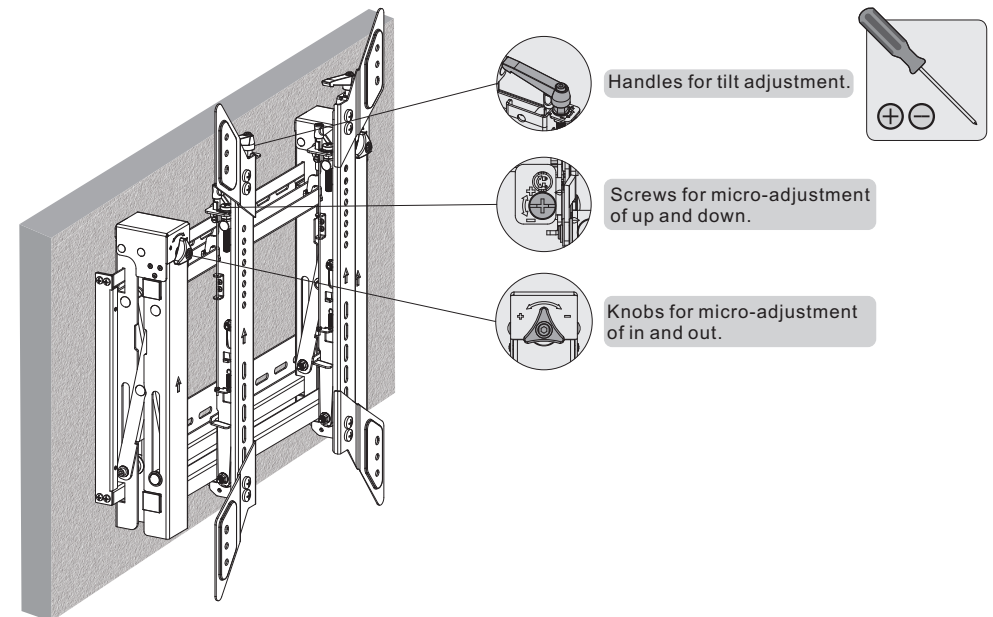
**Note:** Before hooking the display, make sure the knobs are rotated to the unlock position.

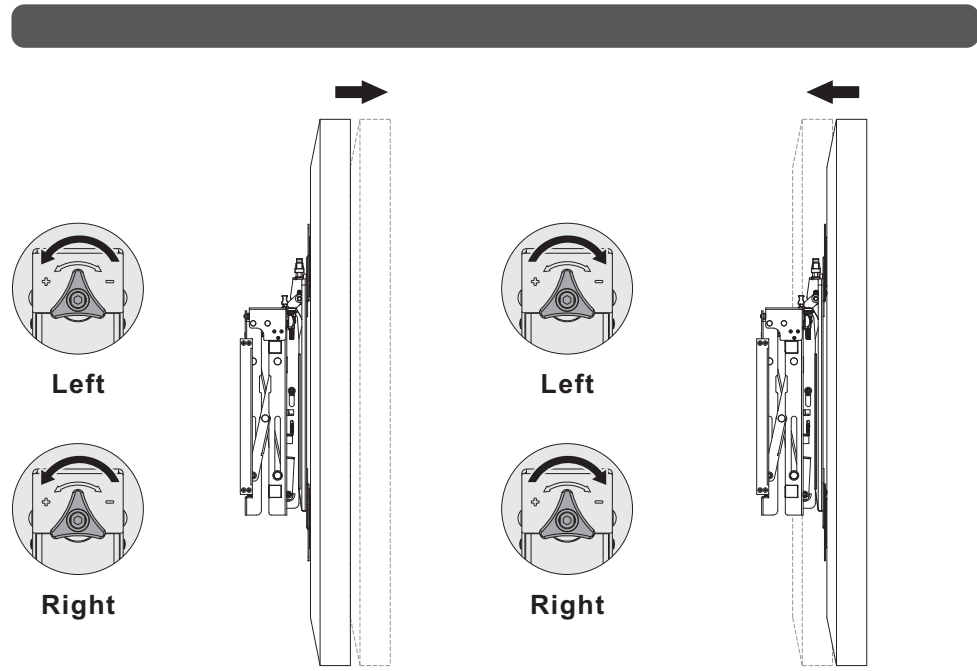
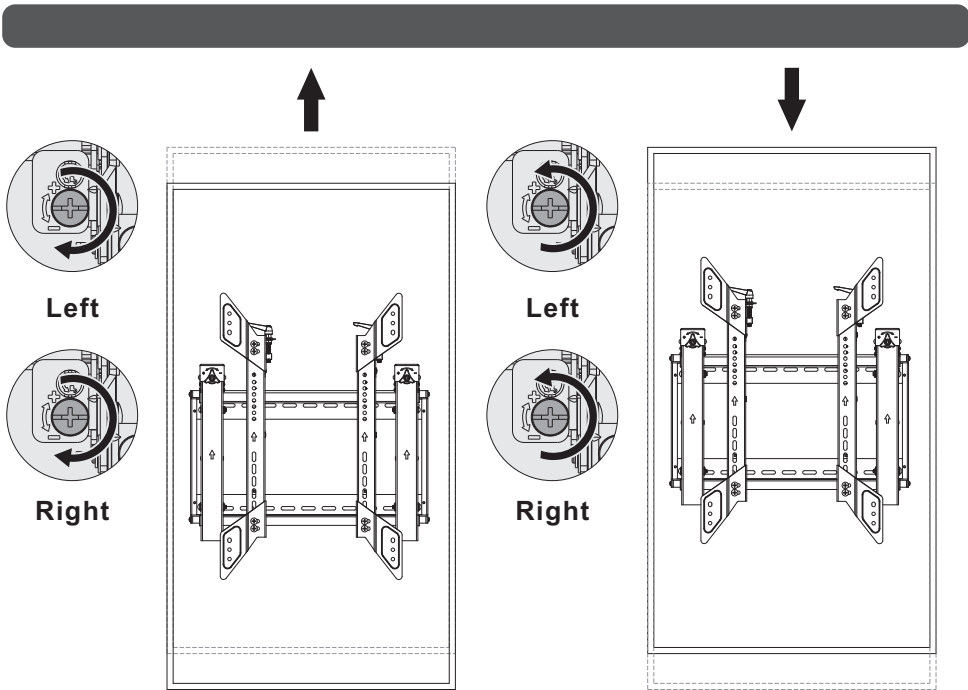
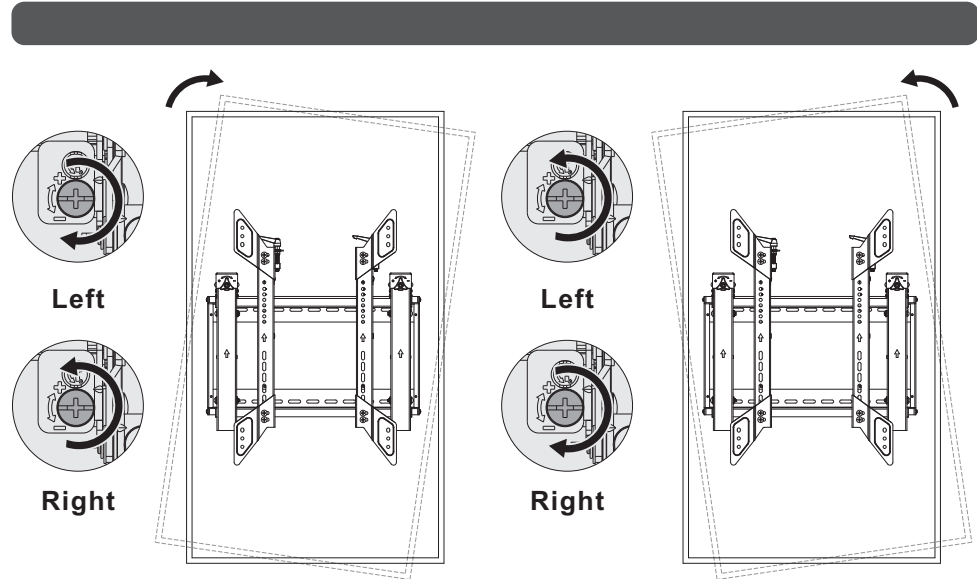
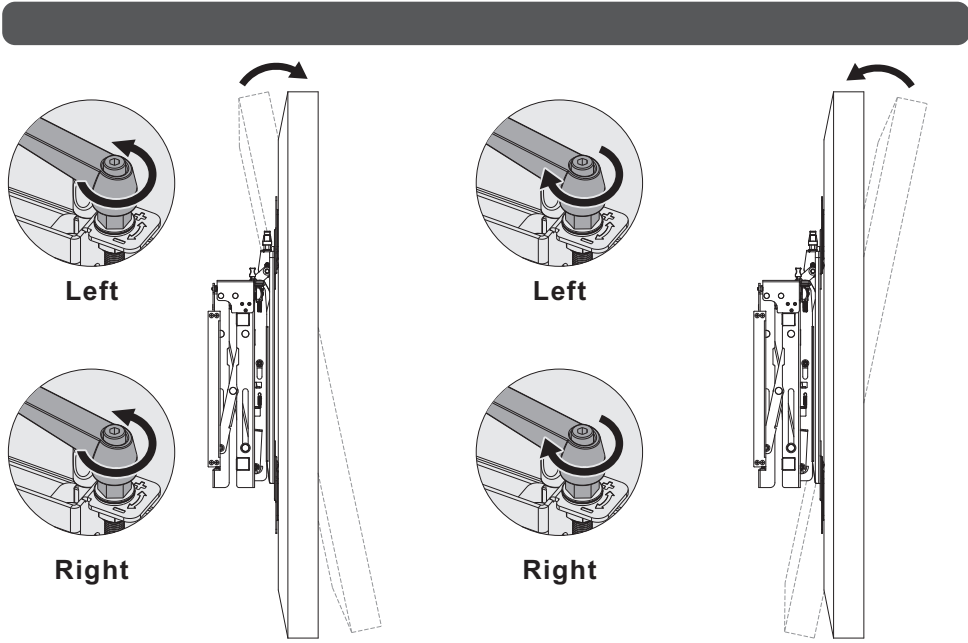
- Lift the display carefully and hook the display onto the pop-out module. Rotate the knobs to the lock position to secure the display.
- Use the padlock to prevent the display from being stolen. ( Padlock is not included)

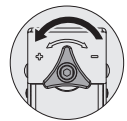
#### 6. Adjustment



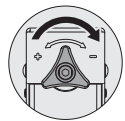
Push the display to left or right to enable fast alignment.



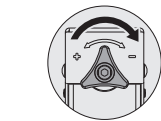
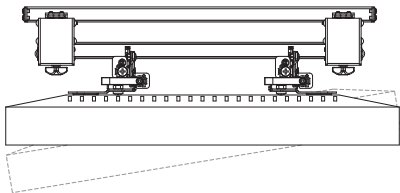




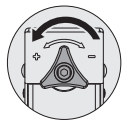
Left



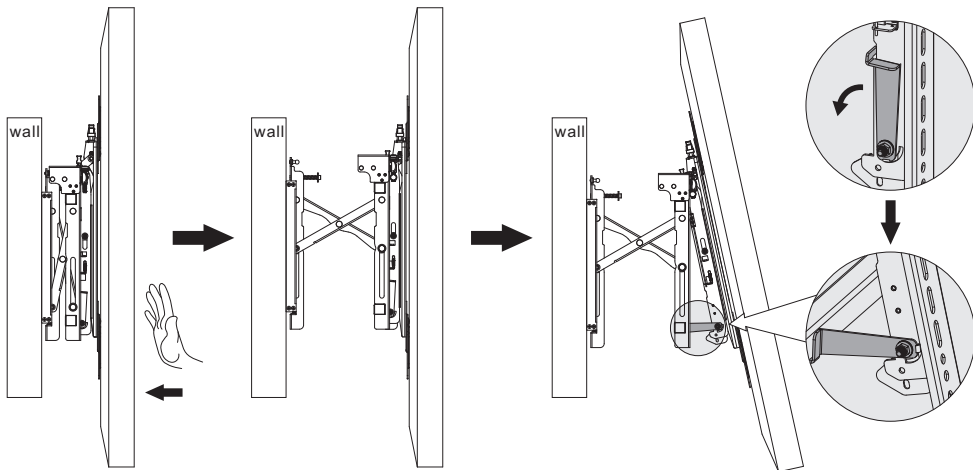
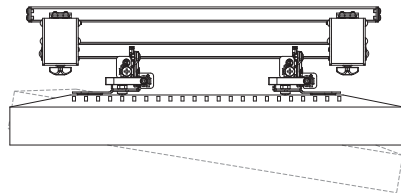
Right



Left

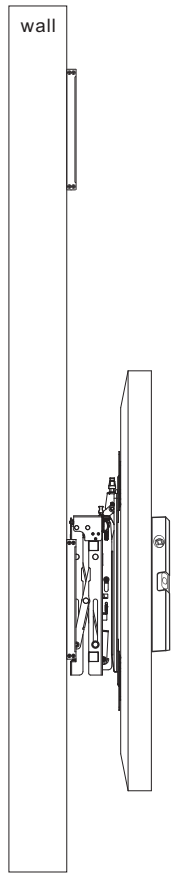
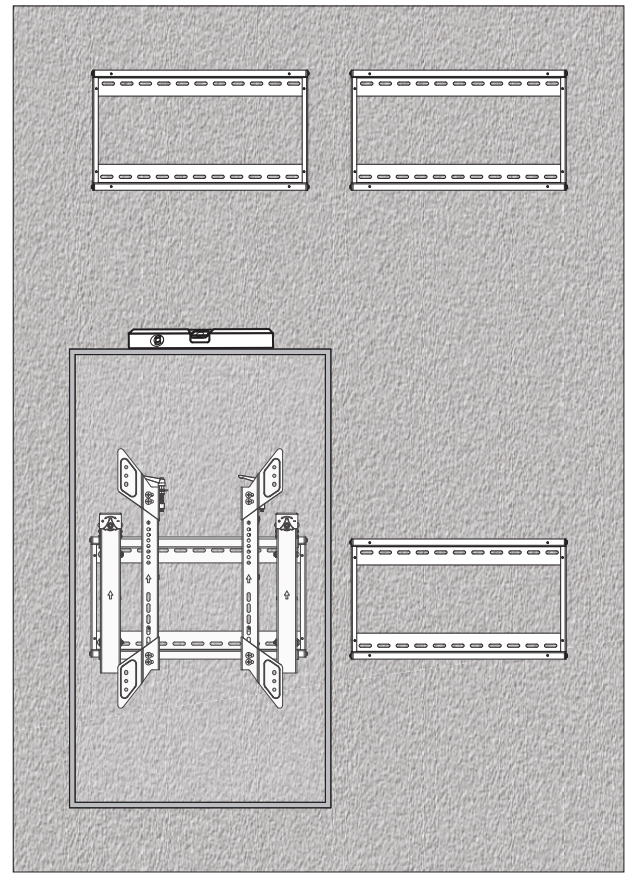


Right



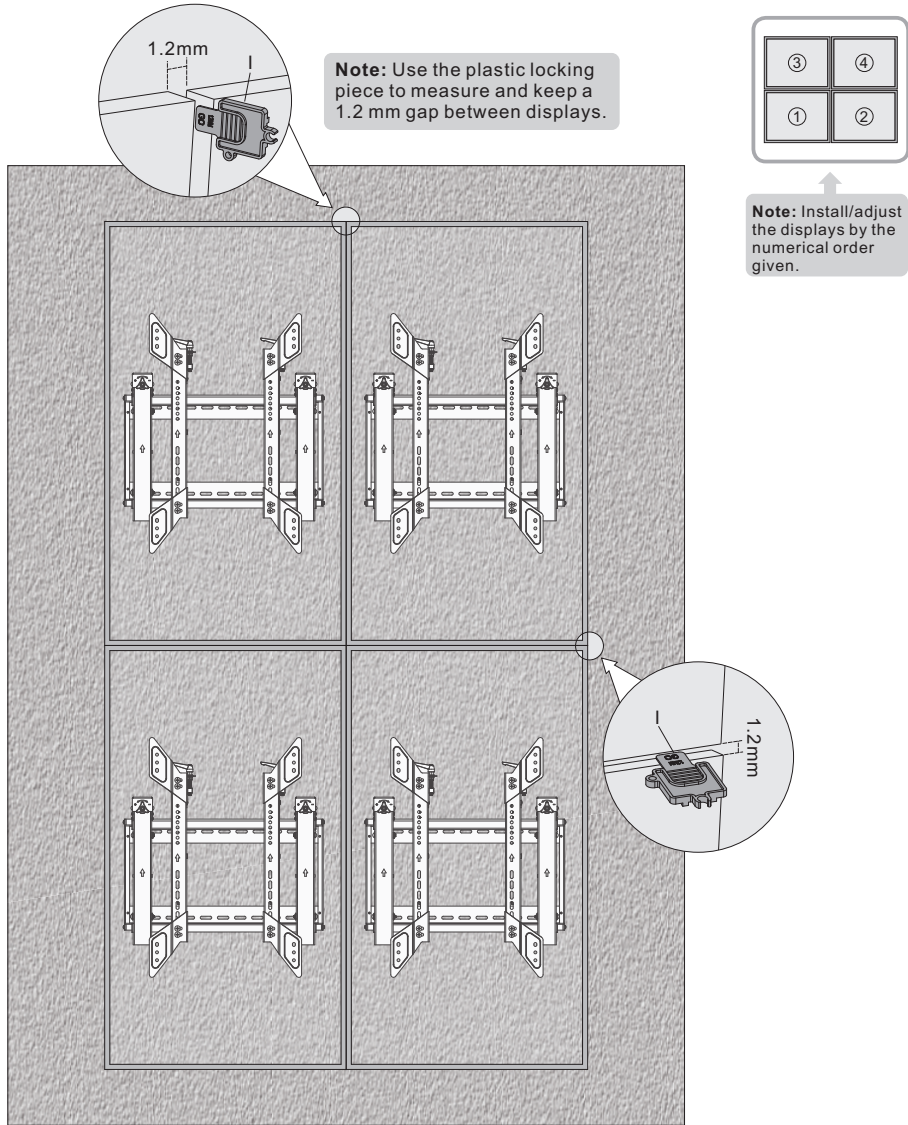
Push the display inward and then release it, the display will be pop-out. Kickstands provide tilt access for easy cables management and maintenance.

### 7. Level the Displays

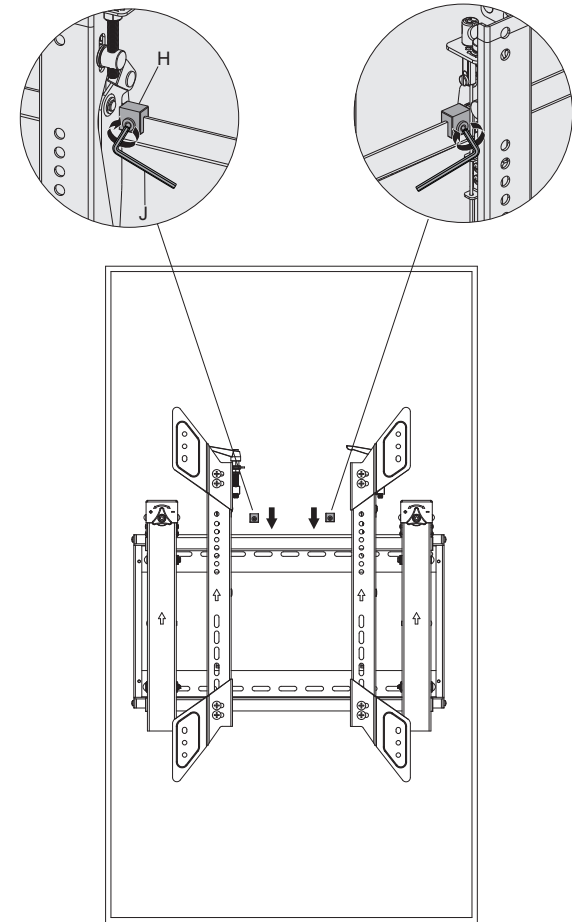


Adjust the display to keep level in vertical and horizontal directions.

## 8. Fixing the Brackets Position with the Antiskid Blocks



## 8. Fixing the Brackets Position with the Antiskid Blocks



Install the both antiskid blocks as close to the adapter brackets as possible.  
Tighten screws on the antiskid blocks using an Allen key to prevent display from moving.