

# KRAMER



## Installation Instructions

MODEL:

**TS-PEU** Universal Socket Power Extension  
for Modular TBUS



P/N: 2900-300777QS



Rev: 2



### SAFETY WARNING

Disconnect the unit from the power supply before opening and servicing  
See [www.KramerAV.com](http://www.KramerAV.com) for updated safety information

For the latest information on our products and a list of Kramer distributors, visit our Web site where updates to these installation instructions may be found.

We welcome your questions, comments, and feedback.

[www.KramerAV.com](http://www.KramerAV.com)  
[info@kramerel.com](mailto:info@kramerel.com)

## Universal Socket Power Extension for Modular TBUS

Congratulations on purchasing your Kramer **TS-PEU** universal socket power extension for modular TBUS (**TBUS-1AXL**, **TBUS-1N** and/or **TBUS-1KWC**).

The **TS-PEU** includes six universal power sockets: one on the surface of the unit and five hidden neatly under the table. To use **TS-PEU**, simply pull it out of the TBUS surface using the handles and lay it on the table. When not in use, carefully slide the **TS-PEU** into the TBUS.

The **TS-PEU** fits into TBUS inner frame modules that include dual power socket openings (for example, P/N 80-000399 or P/N 80-000499).

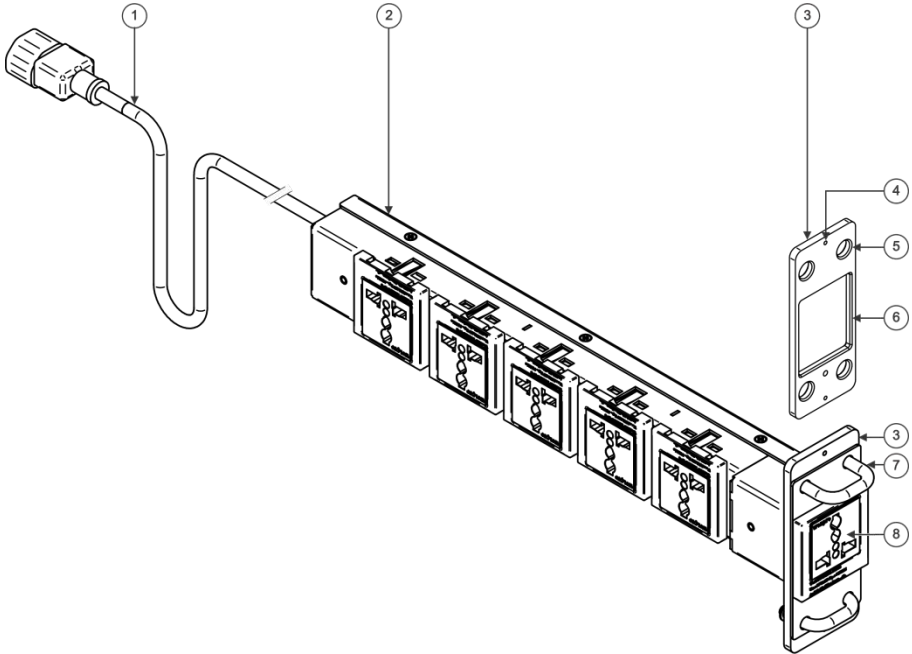


Figure 1: TS-PEU

#	Feature	Function
1	Power Cable with Male C14 Connector	Connect to any universal C14 cable and to the mains.
2	Power Extension Unit Housing	Includes five built-in universal power sockets.
3	Bracket	Fit bracket over dual power socket opening on the TBUS frame.
4	Bracket Screw Openings (2)	Attach to frame surface using 2 M3x8 screws (supplied).
5	Bracket Handle Opening (4)	Used for resting the Power Extension Unit when hidden under the table.
6	Power Extension Unit Opening	Pass-through for pulling and sliding the Power Extension Unit.
7	Pulling Handles (2)	Hold when pulling / hiding the Power Extension Unit.
8	Surface Power Socket	Power socket located on the unit surface.

## Installing the TS-PEU

The Kramer **TS-PEU** fits into a dual power socket opening.

### To install the TS-PEU:

1. Place the **TS-PEU** under the dual power socket opening of a frame.
2. Tighten the bracket using the two M3x8 screws (supplied with the package).

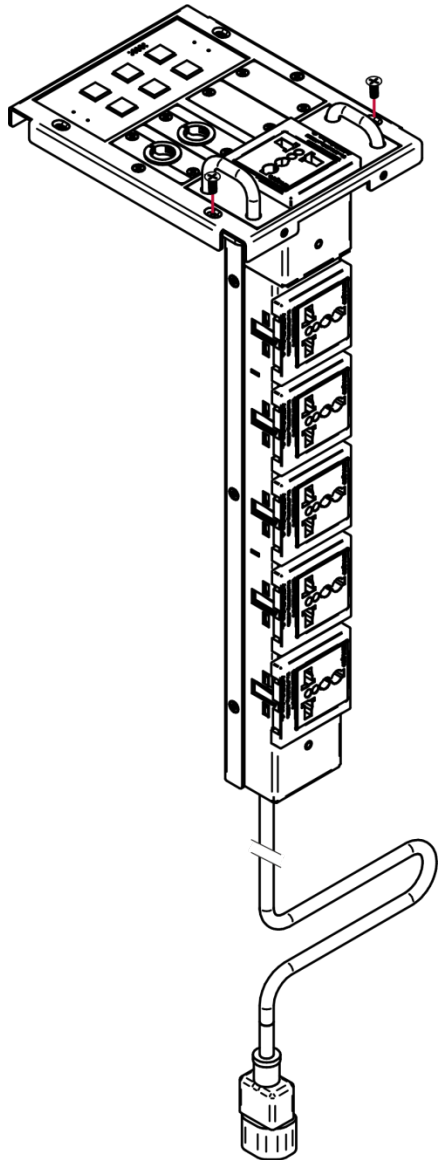


Figure 2: TS-PEU installing in the TBUS

When needed, use the two side-handles to pull out the power socket extension.

## Technical Specifications

Ports	6 power universal connectors
Power Source (AC power limits):	Universal: 100-240V AC, 50/60Hz, 5A, maximum 5A per power outlet <b>Fully compatible</b> with power plugs in the UK, India, Italy and Denmark, as well as with the 2-prong Europlug. <b>Partially compatible</b> (if the polarity is reversed) with plugs in China, Switzerland, Israel and the USA. The universal socket does not supply grounding to plugs in Central Europe and France.
Fuse Rating:	T 10A 250V
Operating Temperature:	0° to +40°C (32° to 104°F)
Storage Temperature:	-40° to +70°C (-40° to 158°F)
Humidity:	10% to 90%, RHL, non-condensing
Storage humidity range:	5% to 95%, RHL, non-condensing
Dimensions:	12.2cm x 36.4cm x 5.1cm (4.8" x 14.3" x 1") W, D, H. Power cord length 170cm (67")
Shipping Dimensions	13.2cm x 49cm x 6cm (5.2" x 19.3" x 2.4") W, D, H.
Weight:	1.18kg (2.6lbs) approx.
Shipping Weight	1.38kg (3.04lbs) approx.
Included Accessories:	2 M3x8 screws
Specifications are subject to change without notice at <a href="http://www.kramerav.com">www.kramerav.com</a>	