



Scan for full manual

KT-107-OWLK Quick Start Guide

This guide helps you install and use your **KT-107-OWLK** for the first time.

Go to www.kramerav.com/downloads/KT-107-OWLK to download the latest user manual and check if firmware upgrades are available.

Step 1: Check what's in the box

- ✓ **KT-107-OWLK** On-Wall Lock
- ✓ 2 Installation screws
- ✓ 3 washers
- ✓ 1 Quick start guide
- ✓ **Kramer** screwdriver

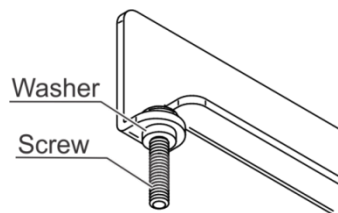
Step 2: Get to know your KT-107-OWLK

The **KT-107-OWLK** On-Wall Lock secures **KT-107**, **KT-107RB** and **KT-107S** touch panels safely to a wall.

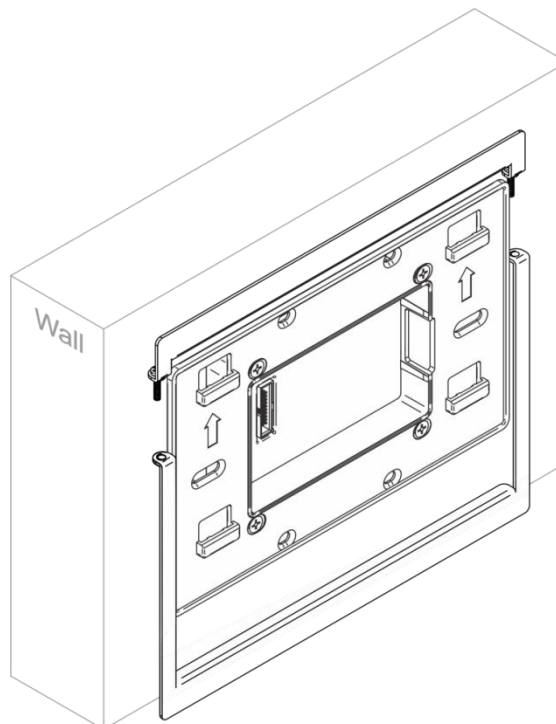
Step 3: Secure KT-107-OWLK to a wall:

The following diagrams illustrate attaching the On-Wall Lock mechanism with the short part above and the long part below. You can also attach the other way around.

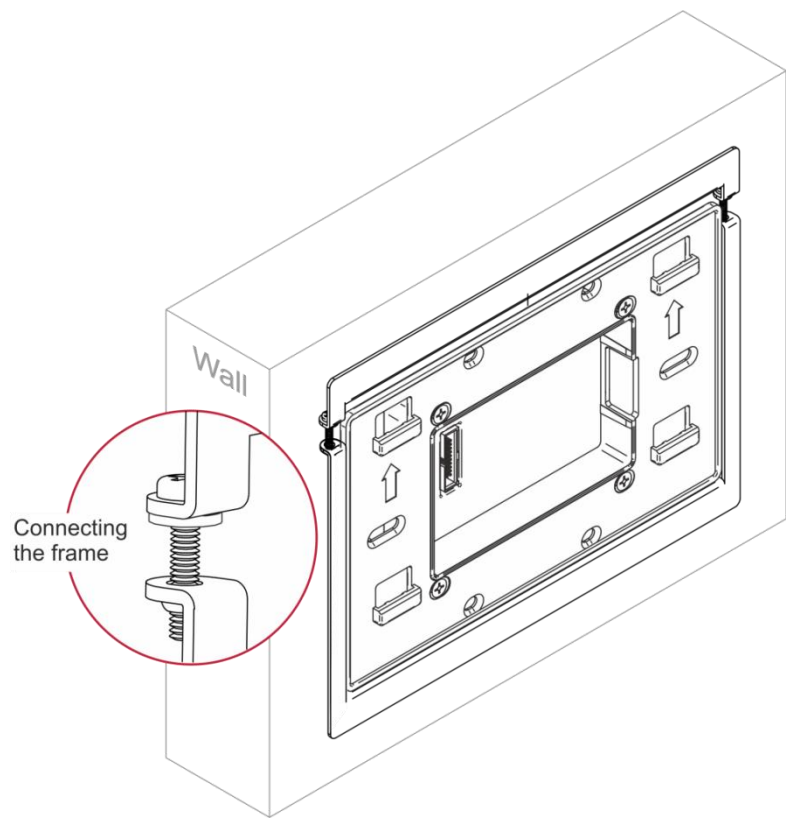
1. Insert the 2 screws (supplied) into the screw openings and insert the washers from below.



2. Place the short part (together with the screws) over the installed on-wall mount unit.
3. From below, slide the long frame part towards the short frame part.



- Loosely screw the top frame part to the lower frame part (do not tighten the screws).



- After hanging the **KT-107** on the wall, tighten the two screws until the **KT-107** is securely fixed in place.

