

# iSpeaker

*All-in-One Speakerphone with UC controller*

*Model: iSpeaker CM800*

This **iSpeaker CM800** is a touch screen device that integrates multiple conference functions, and can be flexibly deployed in a variety of application scenarios: speakerphone, hands-free headset, voice meeting bridge, and Android tablet.

## 1. 1 Product Features

### All-in-one Unit

The main unit integrates a microphone array with high SNR and a high-fidelity speaker. It can be connected to computers, VC terminals, mobile phones, etc. via USB, 3.5mm, or Bluetooth, can be used as a microphone and a speaker with AEC (Auto Echo Cancellation), AGC (Auto Gain Control) and ANS (Auto Noise Suppression).

### Built-in Audio Console and Status Indicator

Using the Audio Console app, you can quickly adjust the input and output gains of various audio interfaces, and display the connection status in real time. Flexible mixing and routing multiple inputs and outputs.

### Android Tablet with Touch Screen

The device has a 10.1 inch capacitive screen, running Android 8.1 system. The third-party conference control applications such as Zoom Controller can be installed to control your conferences or terminals.

### HDMI Input

The HDMI input can be connected to a computer to display and present wirelessly to TV.

### Built-in VoIP

Built-in VoIP client supports H.323 and SIP.

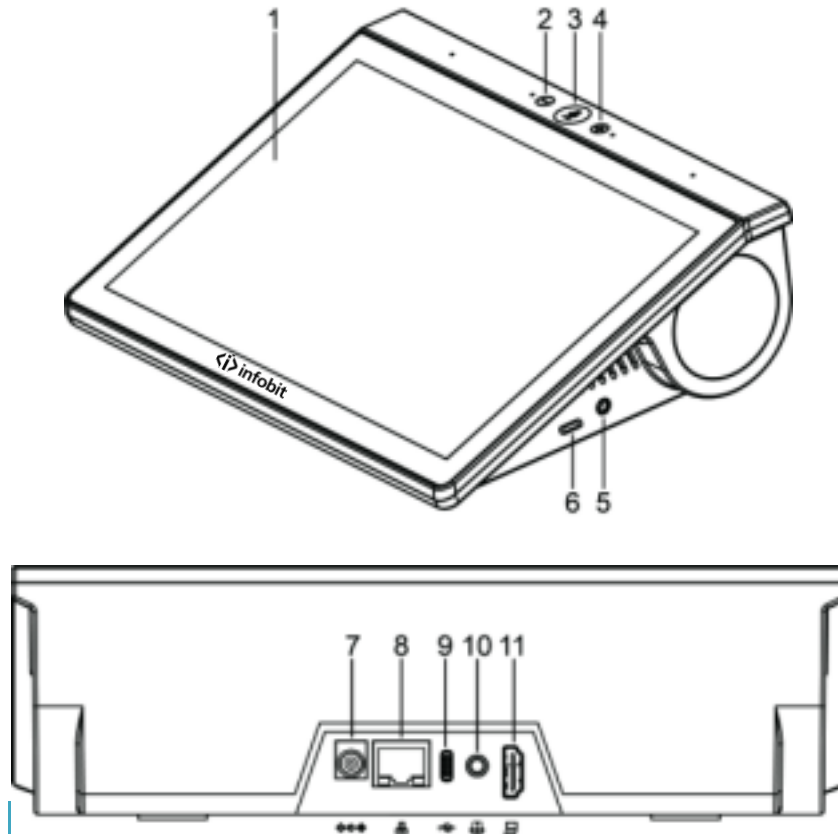
### Bluetooth

The device can be connected to a mobile phone via Bluetooth, used as a headset.

### Multiple Power Supply Methods

Support power supply with DC adapter, PoE switch, and PD (requires host side support).

## 1.2 Appearance and Interface

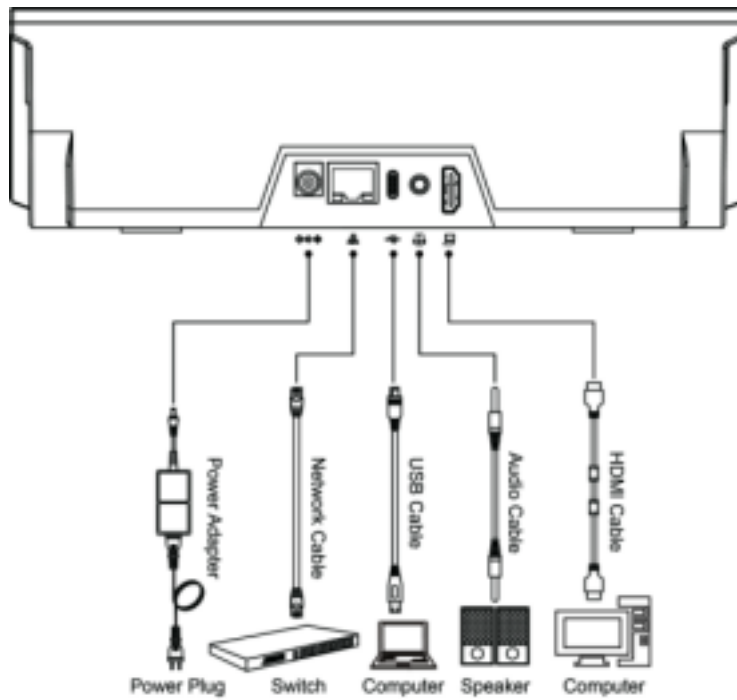


No.	Name	Function
1	Touch Screen	Touch input and display
2	Volume -	Decrease the volume of the built-in or external speakers
3	Power/Mic Key and LED	When power off: Short press to power on. When power on: Short press to mute/unmute built-in microphone. LED is green when microphone is unmuted, and red when microphone is muted. Long press for 3 seconds to show power option. Long press for more than 5 seconds to force reboot.
4	Volume +	Short press to increase the volume of the built-in or external speakers
5	Phone 3.5	3.5mm audio in/out that can be connected to mobile phones or computers
6	Type-C	Type-C interface, used to connect the expansion microphone.
7	DC 12V	Connect to DC adapter
8	NET	10M/100M Ethernet, support PoE
9	Type-C	USB interface that supports USB Audio (UAC)
10	AUDIO	3.5mm audio out that can be connected to external speaker
11	HDMI	It can be connected to a computer

## 2 Connection and Power On/Off

### 2.1 Connection Cable

The cable connections shown in the following figure contain optional configurations. They are for reference only. Please connect cables according to actual needs.



### 2.2 Spec

Main Features	
Operate System	Android 8.1
CPU	4 x Cortex A35 1.5GHz
GPU	ARM G31-2EE, support OpenGL ES1.1/2.0/3.2
Storage	2GB RAM+8GB EMMC ROM
Screen	10.1 inch, 10 points capacitive touch sreen, Resolution: 1280x800
Ethernet	1 x RJ45, 10M/100M Base-T
WiFi (Optional)	IEEE802.11a/b/g/n/ac
BlueTooth(Optional)	BT 5.0
TF card	Max support up to 128GB
Audio Specifications	

Audio in	1x built-in microphone array, pickup radius 3 meters 2x extended microphone, pick up radius 3 meters (Optional, extra cost) 1x3.5mm audio in (Shared with 3.5mm audio out) 1x BlueTooth audio in (Optional), Support HFP Profile Client
Audio out	2x5W built-in speaker 1x3.5mm audio out (Shared with 3.5mm audio in) 1x BlueTooth audio out (Optional), Support HFP Profile Client A2DP, AVRCP
Audio features	<ul style="list-style-type: none"> <li>• AEC (Acoustic Echo Cancellation)</li> <li>• AGC (Automatic Gain Control)</li> <li>• ANS (Acoustic Noise Suppression)</li> <li>• H.323/SIP VoIP(Optional)</li> <li>• Conference sound recording(Opitional)</li> </ul>
<b>USB features</b>	
Operate System	Windows 7, Windows 8, Windows 10,Mac OS X, Linux, Android
Color system	YUY2 / MJPEG / H.264
Video format	YUY2 (ISOC): max to 640x480P/30, H.264 AVC: max to 1080P@30fps, MJPEG: max to 1080P@30
USB video Protocol	UVC 1.1
UVC PTZ control	Support
USB audio Protocol	UAC 1.0
<b>Input/output Interfaces</b>	
Power supply	DC 12V 3A
Internet interface	1x RJ45, 10M/100M Base-T 1x WiFi(Optional), 802.11a/b/g/n/ac
USB port	1x USB2.0 Type C
Video input	1x HDMI
Audio	1x3.5mm audio in/out 1x Bluetooth 5.0
Storage interface	1 x TF card slot
<b>Generic Specification</b>	
Input voltage	12V
Consumption	3A (Max)
Power Consumption	36W(Max)
Operating temperature	-10°C ~ 40°C
Storage temperature	-40°C ~ 60°C
Size	244mm x 74mm x176mm