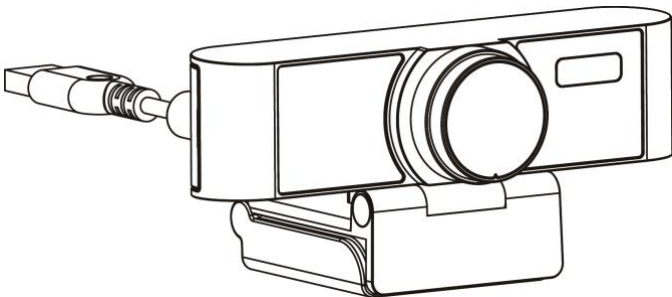
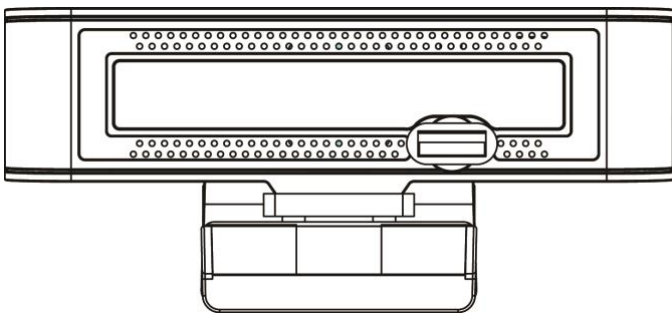
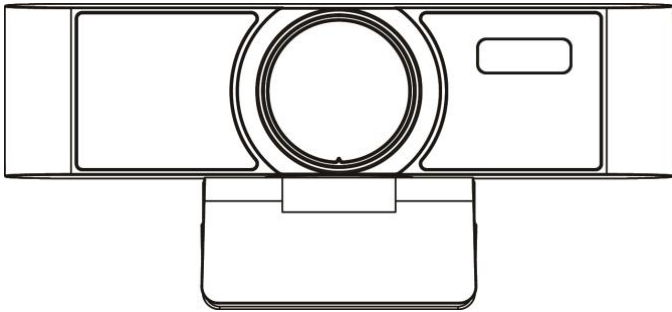


1080P Ultra-Wide Field USB Camera Data Sheet

1 Product Appearance



2 Packing List

Name	Quantity
Camera	1
Quick Start	1

3 Product Features

1080P Full HD Wide Angle

Support 1080P full HD, and can provide 1080P@30fps/25fps image coding output. At the same time, it is compatible with 720P equal resolution downwards, with wide field of view angle, and the maximum horizontal field angle can be achieved 84°(Support Auto Focus)/110°.

USB 2.0

Full-featured USB 2.0 interface, power supply, video and audio all in one.

Built-in Microphone

Built-in microphone array, unique noise suppression algorithm, make your voice perfect presentation.

EPTZ

There is no need for mechanical transmission, which realizes more accurate rotation, no noise, more reliable and durable pan-tilt function.

Low-light

The application of 2D and 3D noise reduction algorithm greatly reduces the image noise. Even under the condition of ultra-low illumination, it still keeps the picture clean and clear, and the SNR of image is as high as 55dB.

Easy Installation

Standard damping bracket support, suitable for market 100% monitor, easy installation, stable and reliable.

4 Product Specifications

Camera	
Sensor	1/2.8", CMOS, Effective Pixel: 2.07M
Scanning Mode	Progressive
Lens Mount	M12
Lens 1	Focus: f=3.5mm, FOV: 84° (Support Auto Focus)
Lens 2	Focus: f=2.2mm, FOV: 110°
Minimal Illumination	0.5 Lux @ (F2.0, AGC ON)
Shutter	1/30s ~ 1/10000s
White Balance	Auto, Indoor, Outdoor, One Push, Manual, VAR
Camera bracket	bracket with damper
Digital Noise Reduction	2D, 3D digital noise reduction
Backlight Compensation	Support
Digital Zoom	4x
USB Features	
Operate System	Windows 7/8/10, Mac OS X, Linux, Android
Color / Compression	MJPEG/YUY2/H.264
Video Format	1080P@30fps/25fps, 720P@30fps/25fps, 960x540P@30fps/25fps, 640x360P@30fps/25fps
USB Communication Protocol	UVC 1.1
EPTZ	Support
Input/Output Interface	
USB Interface	1 x USB 2.0: Type A
Physical Parameter	
Input Voltage	5V (USB power supply)
Current Consumption	0.27A
Operating Temperature	-10°C ~ 40°C

Storage Temperature	-40°C ~ 60°C
Power Consumption	1.4W
Size	118mm x 37.2mm x 30.8mm (without bracket)
Net Weight	0.093 Kg (without bracket)
