

PORT-O

IN desk power solutions



Port-O 60mm grommet is the latest innovation from ABL. It is designed to meet the diverse needs of modern workspaces.

Its compact size allows for effortless installation into desks, panels and soft seating areas, ensuring maximum connectivity without sacrificing space.

With its 60mm grommet feature, this power module offers a range of options including power outlets, USB A and C PD charging ports 35W or 65W charging sockets, as well as media connections, catering to the charging and data transfer requirements of mobile devices, tablets and laptops.

Port-O combines versatility, functionality and compact design into one seamless solution.



AVAILABLE SOCKET TYPES:

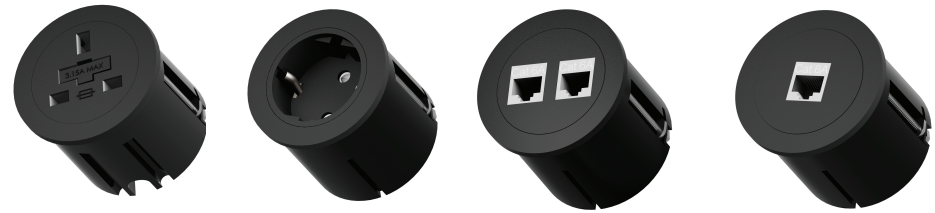


F TYPE G TYPE USB CHARGER

AVAILABLE MEDIA CONNECTIONS:



DATA USB HDMI



FASCIAS

USP

- AVAILABLE WITH A CHOICE OF SCHUKO OR UK POWER SOCKET
- AVAILABLE WITH 35W OR 65W USB A+C CHARGER (PD & QC)
- AVAILABLE WITH A CHOICE OF ONE OR TWO MEDIA CONNECTIONS
- DESIGNED TO FIT INTO AN 54 MM GROMMET HOLE AND DESK THICKNESS BETWEEN 10 AND 40MM
- LOCKING RING ENABLES PERFECT FIXATION WITH NO EFFORT

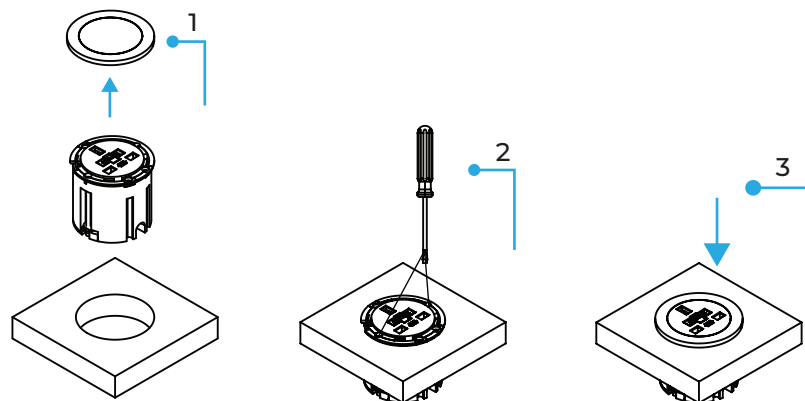
APPROVALS & CERTIFICATES:





INSTALLATION

Make **Ø54mm** cutout. Ensure that there is sufficient clearance, below the surface and between the cutout edge and the edge of the work surface.

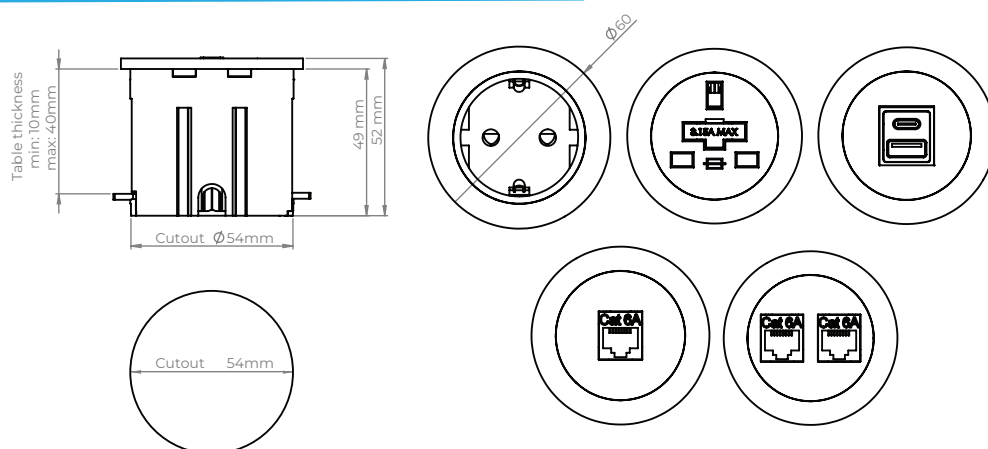


STEP 1. Unclip the ring and place the module in the cutout

STEP 2. Turn the screw clamp clockwise till the fascia is flush with the surface

STEP 3. Secure the ring on the grommet fascia.

STANDARD DIMENSIONS



TECHNICAL

Configuration:

Power socket only (Schuko or UK socket type)

USB 35W or 65W A+C charger (PD & QC) only

One or two media connections (RJ45Cat6A, USB-A, USB-C or HDMI)

Fusing (UK sockets only to enable compliance to BS6396): 5mm x 20mm ceramic fuses, with appropriate marking indicating the rating (3.15A/5A). The UK socket feature integral, spare fuse.

Power cord: 0.25m standard lead with 3 Pole connector allows mains or connector leads to be changed to suit requirements, especially useful during moves and changes. Optionally available hardwired cable with appropriate national mains plugs.

Testing: 100% testing - continuity, polarity & earth

Testing of the USB PD & QC chargers: Output voltages, current, and power in all types of charging standard

Port-O power module is fully manufactured in-house using ISO 9001:2015 quality-controlled practices.

Our power modules are tested in accredited laboratories of certification houses twice a year; in-house quality control testing of each product is completed on every single power module before it leaves the factory.

Standard colours: black (RAL 9005) , white (RAL 9003)