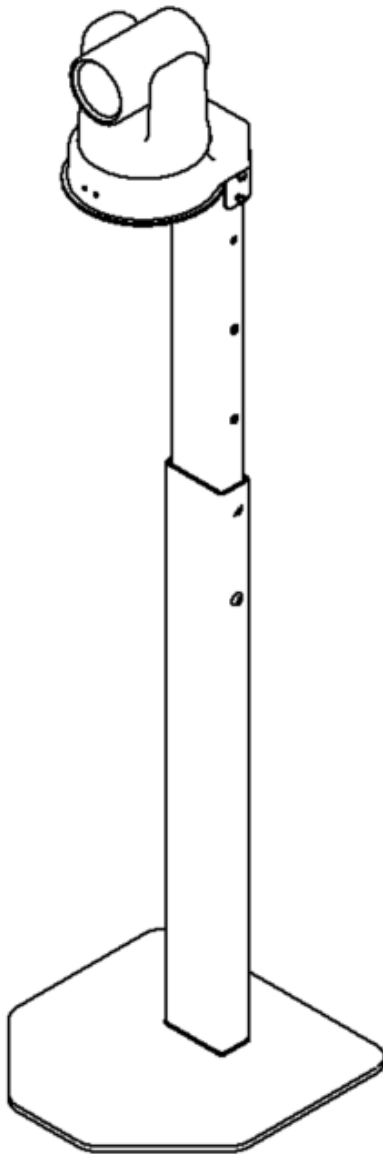




Install Guide

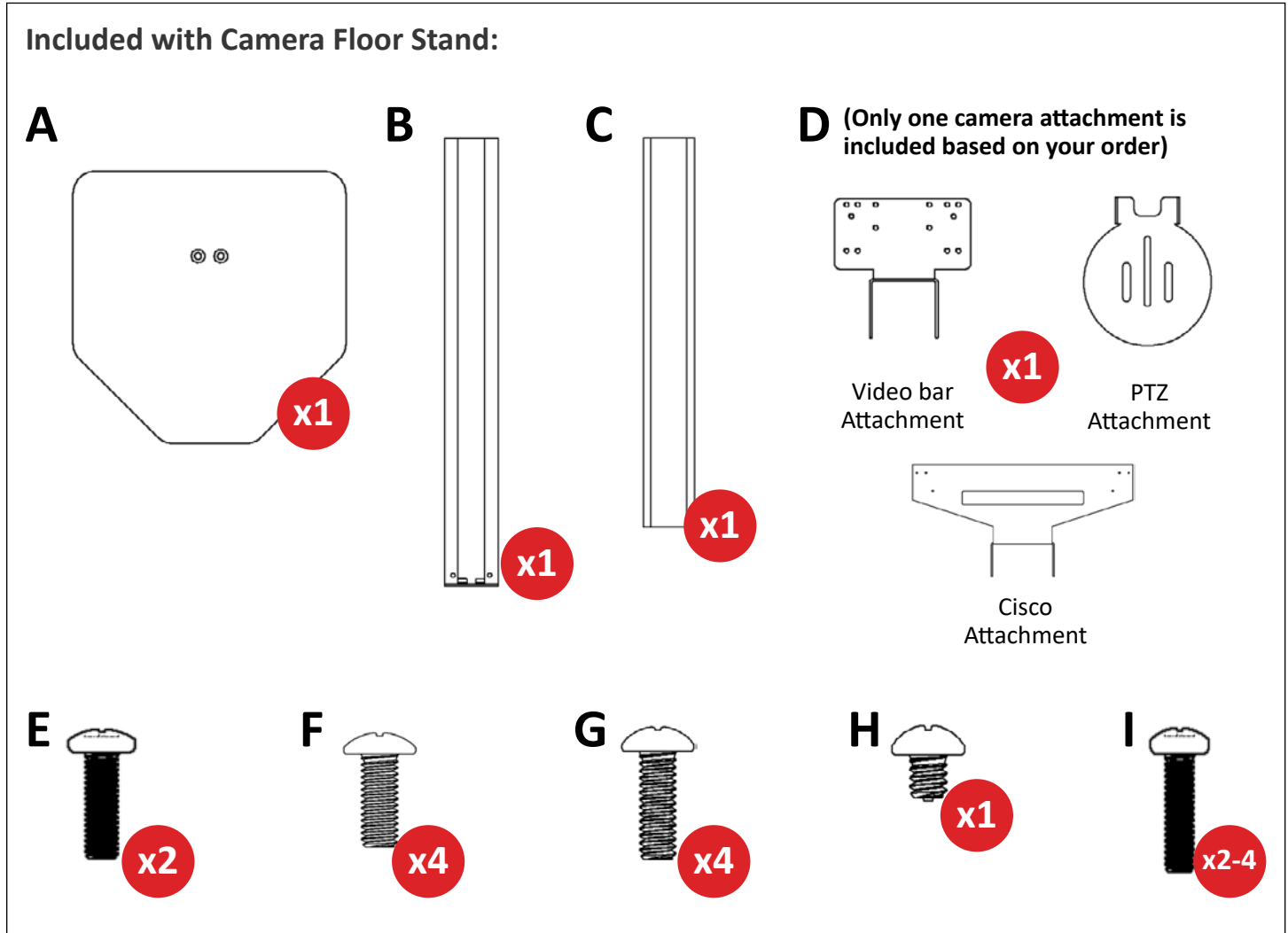
Camera Floor Stand

CAMERA-STAND-VB
CAMERA-STAND-PTZ
CAMERA-STAND-CRK



PACKAGE CONTENTS

The Camera Floor Stand supports the leading PTZ cameras and select video bars. One camera shelf attachment is provided based on your order and the specific camera you wish to support.



A. Base plate [x1]

B. Outer sleeve [x1]

C. Inner sleeve [x1]

D. Camera attachment [x1]

***Only one camera attachment is included based on your order**

E. Flat headed 5/16-18 1/2" screw [x2]

F. 10-24 3/8" screw [x4]

G. 1/4-20 1/2" screw (For the sleeves) [x4]

H. 1/4-20 1/4" screw (Only for PTZ camera attachment) [x1]

I. m4x0.7 screw (Only for video bar and Cisco camera attachment)

***Screw quantity varies based on the specific camera attachment**

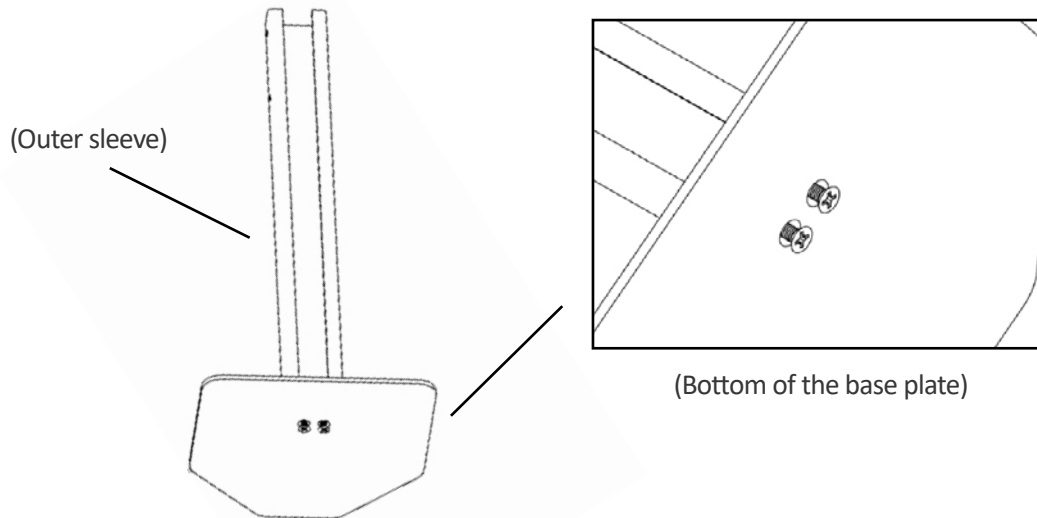
Video bar attachment = [x4]

Cisco attachment = [x2]

STEP 1

Secure base to outer sleeve

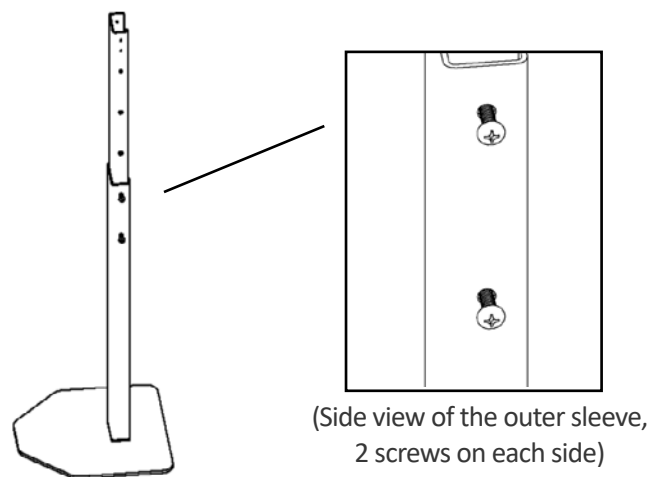
- Place outer sleeve (B) on top of the base plate (A) and screw it on from the bottom of the base plate with [x2] flat headed 5/16-18 1/2" screws (E).



STEP 2

Adjust the height of the Camera Floor Stand

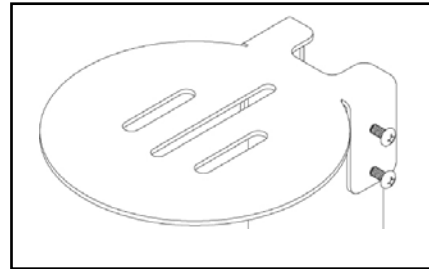
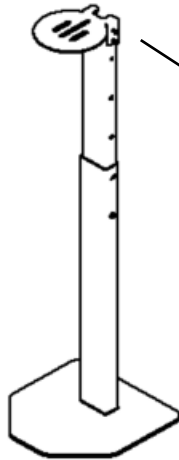
- Slide the inner sleeve (C) into the outer sleeve (B).
- Adjust and raise the inner sleeve to the desired height and align the inner and outer sleeve holes.
- Screw [x4] 1/4-20 1/2" screws (G) in to the top 4 holes of the outer sleeve, with 2 holes located on each side of the outer sleeve.



STEP 3

Secure the camera shelf attachment

- Place the camera attachment (D) on top of the inner sleeve.
- Screw both sides of the camera attachment on to the inner sleeve using [x4] 10-24 3/8" screws (F). Screw into the two holes located on each side of the camera attachment.



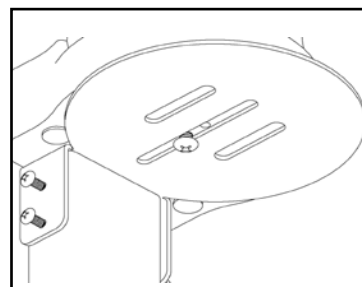
(Camera attachment with two screws on each side)

*Refer to step 4 if you have a PTZ camera attachment.
For a video bar or Cisco camera attachment, please refer to step 5.

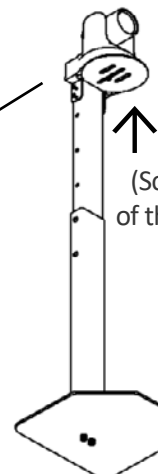
STEP 4

Secure camera to camera attachment (PTZ)

- Place the camera on the camera attachment and align the camera attachment holes with the camera's screw pattern.
- For PTZ camera attachment: Following the camera's screw pattern and using a [x1] 1/4-20 1/4" screw (H), screw from the bottom of the camera attachment to secure the camera.



(Bottom of the camera attachment)



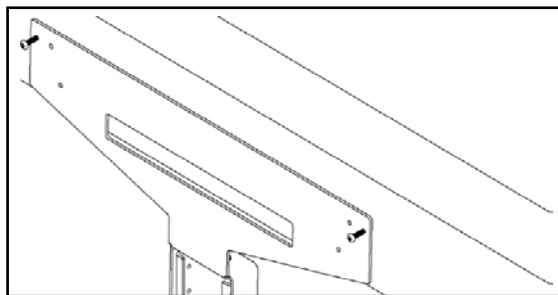
(Screw from the bottom of the camera attachment)

STEP 5

Secure camera to camera attachment (VB/CISCO)

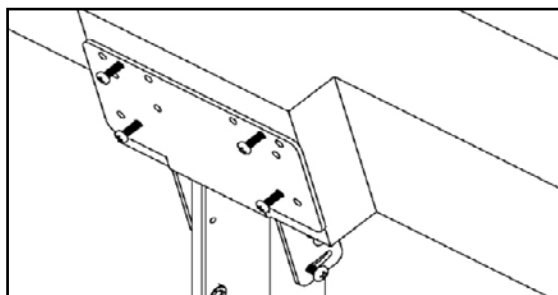
- Place the camera on the camera attachment and align the camera attachment holes with the camera's screw pattern.
- For Cisco attachment: Attach the Cisco provided wall mount to the Cisco camera using the provided M4 screws. Following the camera's screw pattern and using [x2] m4x0.7 screws (I), screw from behind the camera attachment to secure the camera.
- For video bar attachment: Following the camera's screw pattern and using m4x0.7 screws (I) (*screw quantity varies from [x2-4] based on the specific camera*), screw from behind the camera attachment to secure the camera.

Cisco camera attachment:



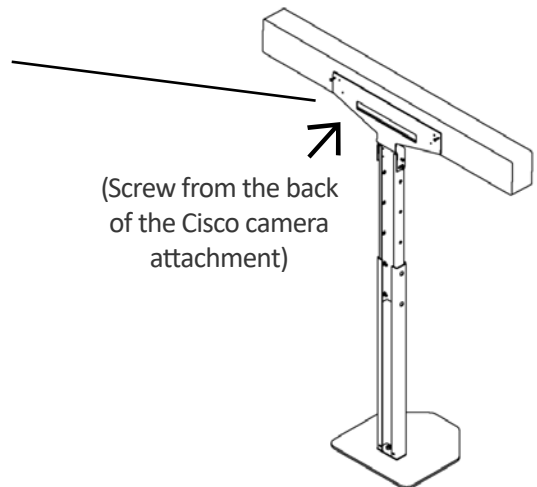
(Back of the Cisco camera attachment)

Video bar attachment:

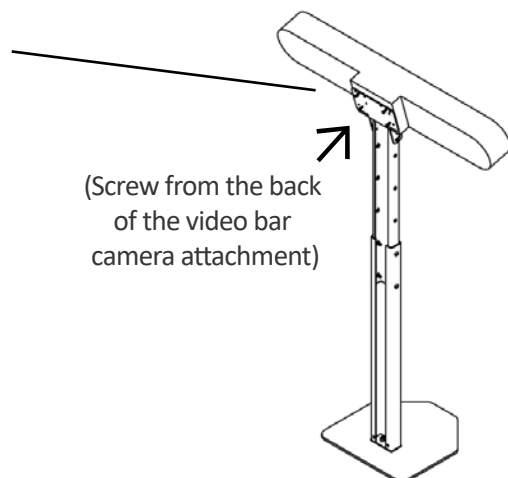


(Back of the video bar camera attachment)

Screw quantity varies from [x2-4], depends on specific videobar camera.



(Screw from the back of the Cisco camera attachment)



(Screw from the back of the video bar camera attachment)

Have a question?

Contact us at support@avteqinc.com